

Uniclass L384:N3243+N372
CI/SfB (22.3) X (K2)+(P2)

system 8000 SG technical guide

contents

typical module elevations and section views

glass joint details

component details

head details

wall abutment details

base details

door frame details (glass doors)

door frame details (timber doors)

drywall details

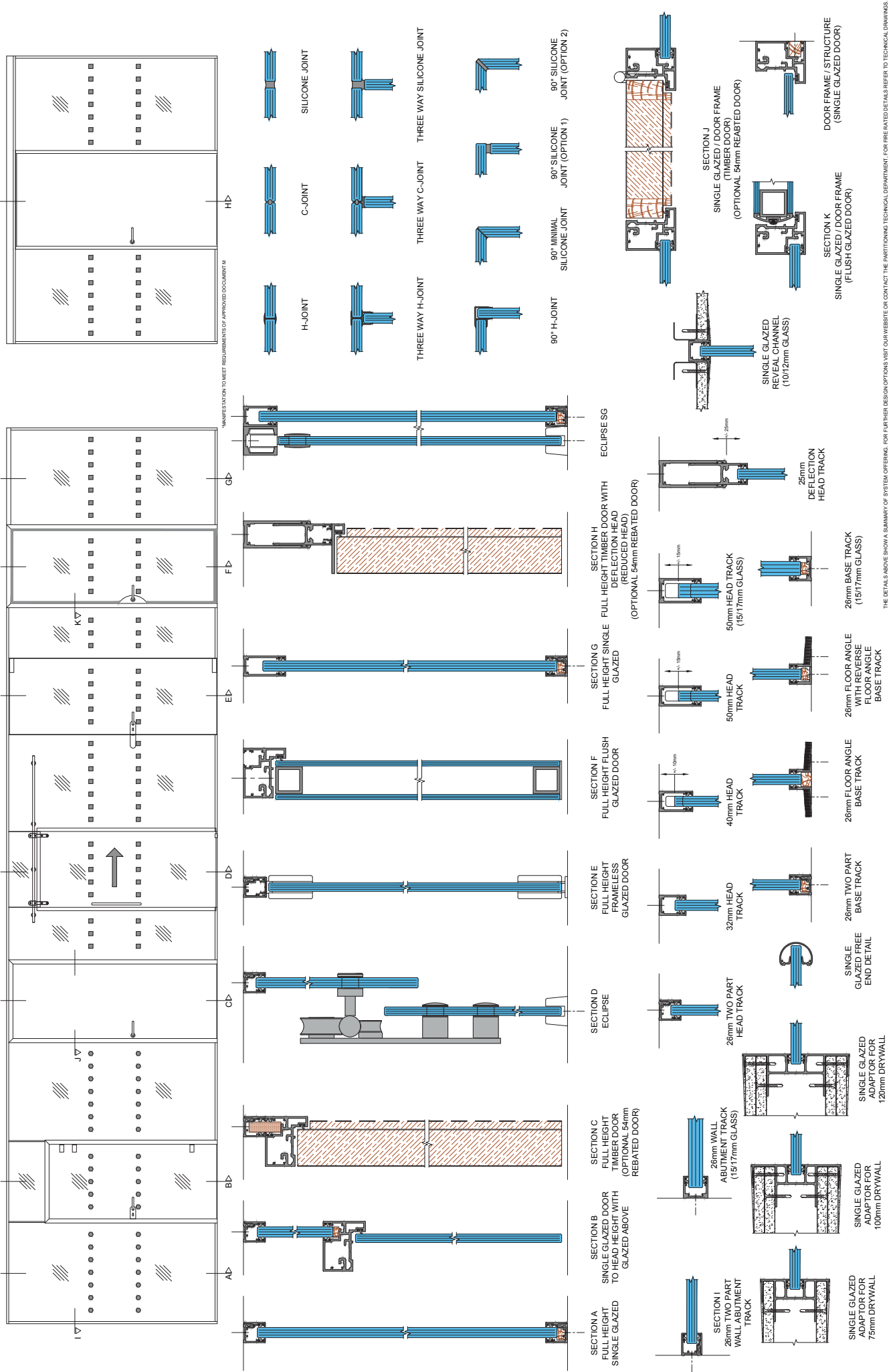
other system integration details

typical module elevations and section views

Drawing description

Drawing number

Single Glazed Typical Module Elevations and Section Views..... PS/8100/0001



*MANIFESTATION TO MEET REQUIREMENTS OF APPROVED DOCUMENT M

REV	DATE	DESCRIPTION
01	07/03/2012	SYSTEM 8000
02		SINGLE GLAZED TYPICAL MODULE ELEVATIONS AND SECTION VIEWS

SCALE	DATE	DRAWN BY
@ A1	07/03/2012	TC
ELEVATIONS 1:20		REV
SECTION 1:2		01
PROJ NO		CHECKED
PS/8100/0001		NTE
ISSUED		
INFORMATION		

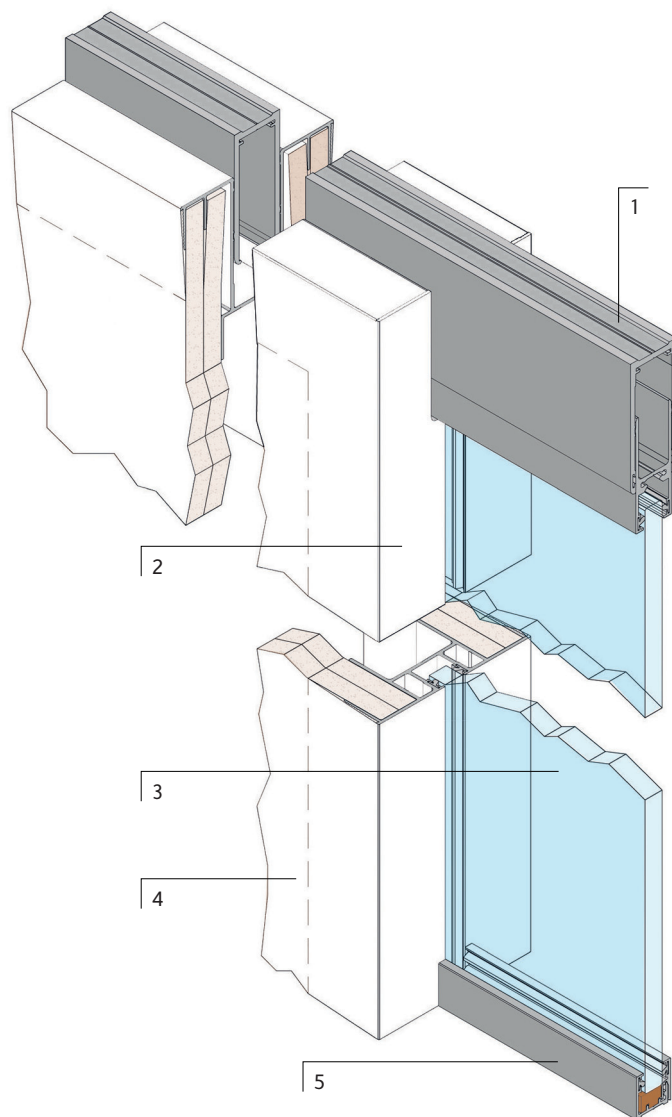
THE DETAILS ABOVE SHOW A SUMMARY OF SYSTEM OFFERS. FOR FURTHER DESIGN OPTIONS VISIT OUR WEBSITE OR CONTACT THE PARTITIONING TECHNICAL DEPARTMENT. FOR PREPARED DETAILS REFER TO TECHNICAL DRAWINGS.

SAS International (company name) is the information provided herein. This drawing is furnished in confidence on the basis of information that we have received from you and we warrant that it is accurate for the purposes intended. It is your responsibility to ensure that any design or product modification is in accordance with the stated details or orders. SAS International will be an infringement of the Copyright which subsists in said drawing and therefore not liable to be reproduced without the prior written consent of SAS International.

SAS International
 11 Berridge Way, Wetherby, West Yorkshire LS23 7BQ
 Tel: 01937 546454
 Fax: 01937 546455
 www.sas-international.com



system 8000 SG deflection view



- 1) Two part single glazed deflection head channel with $\pm 25\text{mm}$ deflection to suit 10 and 12mm glass
- 2) Glass and Drywall adaptor post
- 3) Glass
- 4) Drywall / SAS Drywall+
- 5) Base track for single glazed to suit 10 and 12mm glass

glass joint details

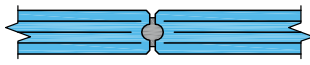
Drawing description

Drawing number

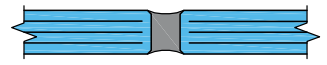
Single Glazed Glass Joints..... PS/8100/0002



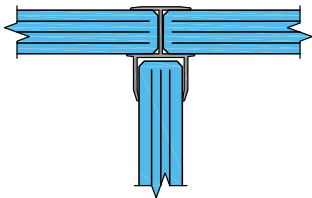
H-JOINT



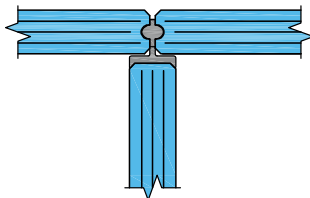
C-JOINT



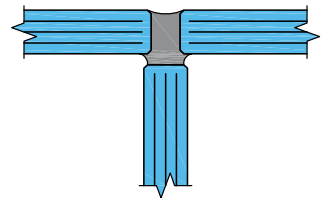
SILICONE JOINT



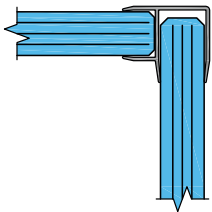
THREE WAY H-JOINT



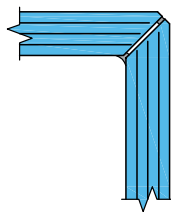
THREE WAY C-JOINT



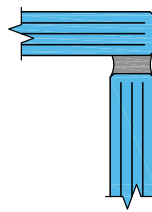
THREE WAY SILICONE



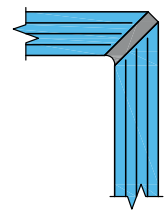
90° H-JOINT



90° SILICONE JOINT



90° SILICONE JOINT
(OPTION 1)



90° SILICONE JOINT
(OPTION 2)



SAS International
31 Sultons Business Park,
London Road, Reading,
Berkshire, RG6 1AZ
Tel: 0118 929 0000
Fax: 0118 929 0908
Technical Helpline:
0118 929 0909
www.sasint.co.uk

SYSTEM 8000

SINGLE GLAZED
GLASS JOINTS

SCALE @ A4

1:2

DRG NO

PS/8100/0002

ISSUED

INFORMATION

DATE

01/03/2012

DRAWN BY

TC

REV

00

CHECKED

KYE

component details

head track details

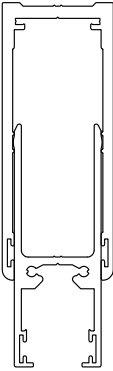
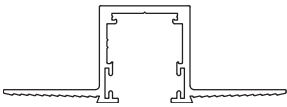
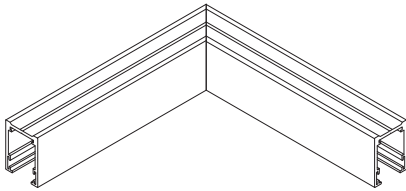
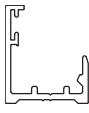

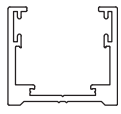
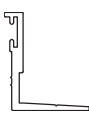
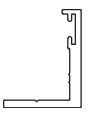
base track details

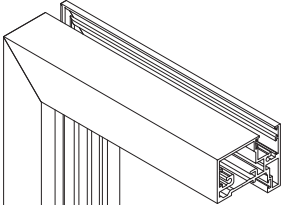
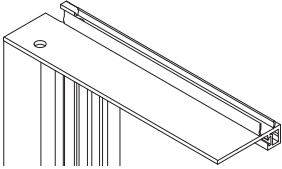
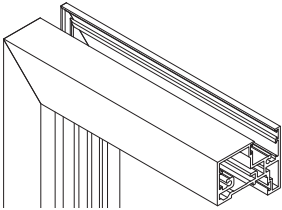
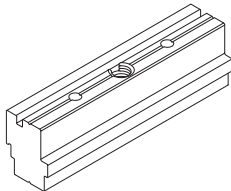
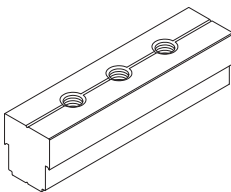

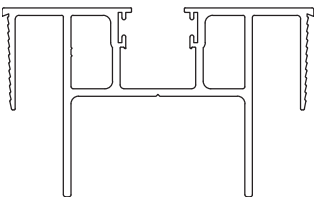
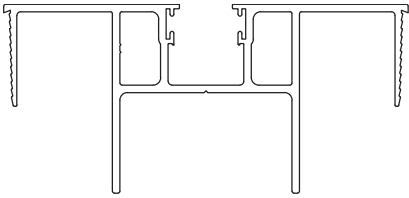
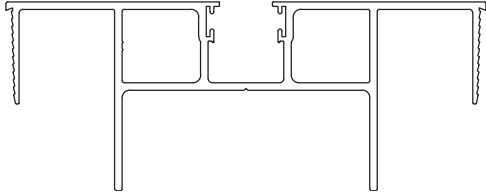
door frame details

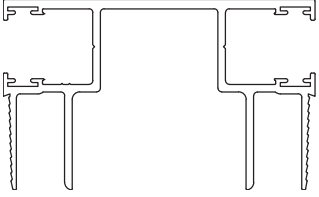
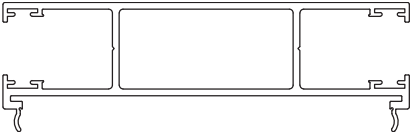
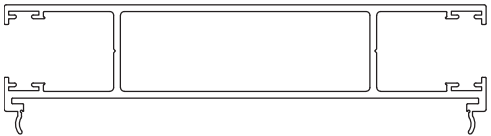
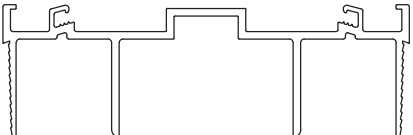
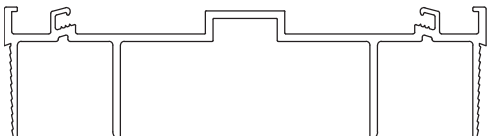
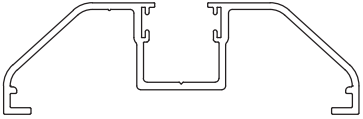
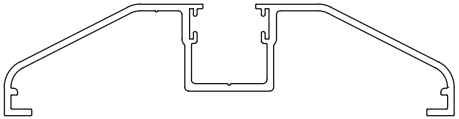
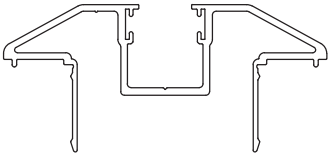
drywall integration details

ancillaries





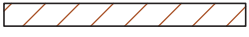

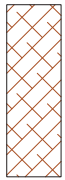
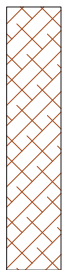
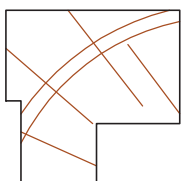
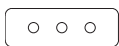
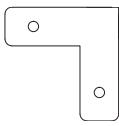
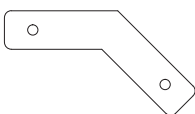

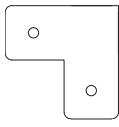
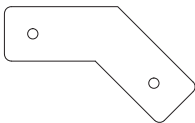
Profile	Product Ref / Description	Item No.
SAS System 8000 SG		
Head Track and Wall Abutment Details		
	Single Glazing Chair (10–12mm Glass)	FG8109
	Glazing Bead	FG8001
	Single Glazing Channel (15–17mm Glass)	FG8111
	32mm Head Track (10–12mm Glass)	FG8101
	40mm Head Track (10–12mm Glass)	FG8102
	50mm ±15mm Deflection Head Track (10–12mm Glass)	FG8103
	50mm ±15mm Deflection Head Track (15–17mm Glass)	FG8104

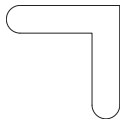
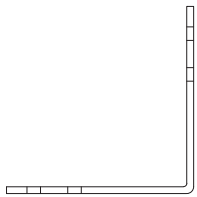
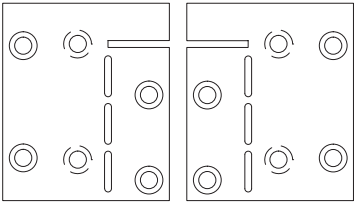
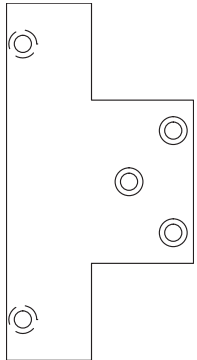
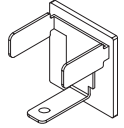
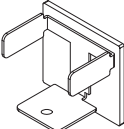


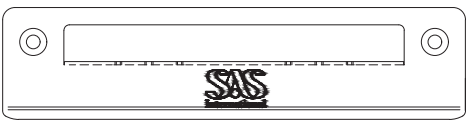

Profile	Product Ref / Description	Item No.
SAS System 8000 SG		
Head Track and Wall Abutment Details (cont.)		
	±25mm Deflection Head Outer Channel / 80mm Head Track (19–22mm Glass)	FG8105
	±25mm Deflection Head Inner Channel	FG8106
	Single Glazed Reveal Channel for MF Ceilings (10–12mm Glass)	FG8119
	A range of factory fabricated head tracks is available in 90°, 135°, 3 way junctions and bespoke angles. Please contact our technical department for further details.	Various
Base Track Details		
	Single Glazing Chair (10–12mm Glass)	FG8109
	Glazing Bead	FG8001
	Single Glazing Channel (15–17mm Glass)	FG8111
	Floor Angle	FG8112
	Reversed Floor Angle	FG8113

Profile	Product Ref / Description	Item No.
SAS System 8000 SG		
Door Frame Details		
	Single Glazed Slimline Door Frame (10–12mm Glass)	FG8116
	Single Glazed Slimline Door Frame with Reduced Head	FG8116R
	Single Glazed Slimline Door Frame (15–17mm Glass)	FG8117
	Pivot Block Pack to Suit FG8101, FG8102, FG8103, FG81606 and FG8119	119989
	Pivot Block Pack	119994
	Single Frameless Glass Door Infill	FG8114S
	Double Frameless Glass Door Infill	FG8114D
Drywall Integration Details		
	Single Glazed Adaptor for 75mm Drywall	FG8120
	Single Glazed Adaptor for 100mm Drywall	FG8121
	Single Glazed Adaptor for 120mm Drywall	FG8122

Profile	Product Ref / Description	Item No.
SAS System 8000 SG		
Drywall Integration Details (cont.)		
	Single Glazed Two Way Adaptor for 75mm Drywall	FG8123
	Single Glazed Two Way Adaptor for 100mm Drywall	FG8124
	Single Glazed Two Way Adaptor for 120mm Drywall	FG8125
	100mm Clip-in Drywall Section	FG8005
	120mm Clip-in Drywall Section	FG8006
	Single Glazed Adaptor Post for System 3000	PT2014
	Single Glazed Adaptor Post for System 4000	PT2020
	Single Glazed Adaptor Post for System 7000	SYA24

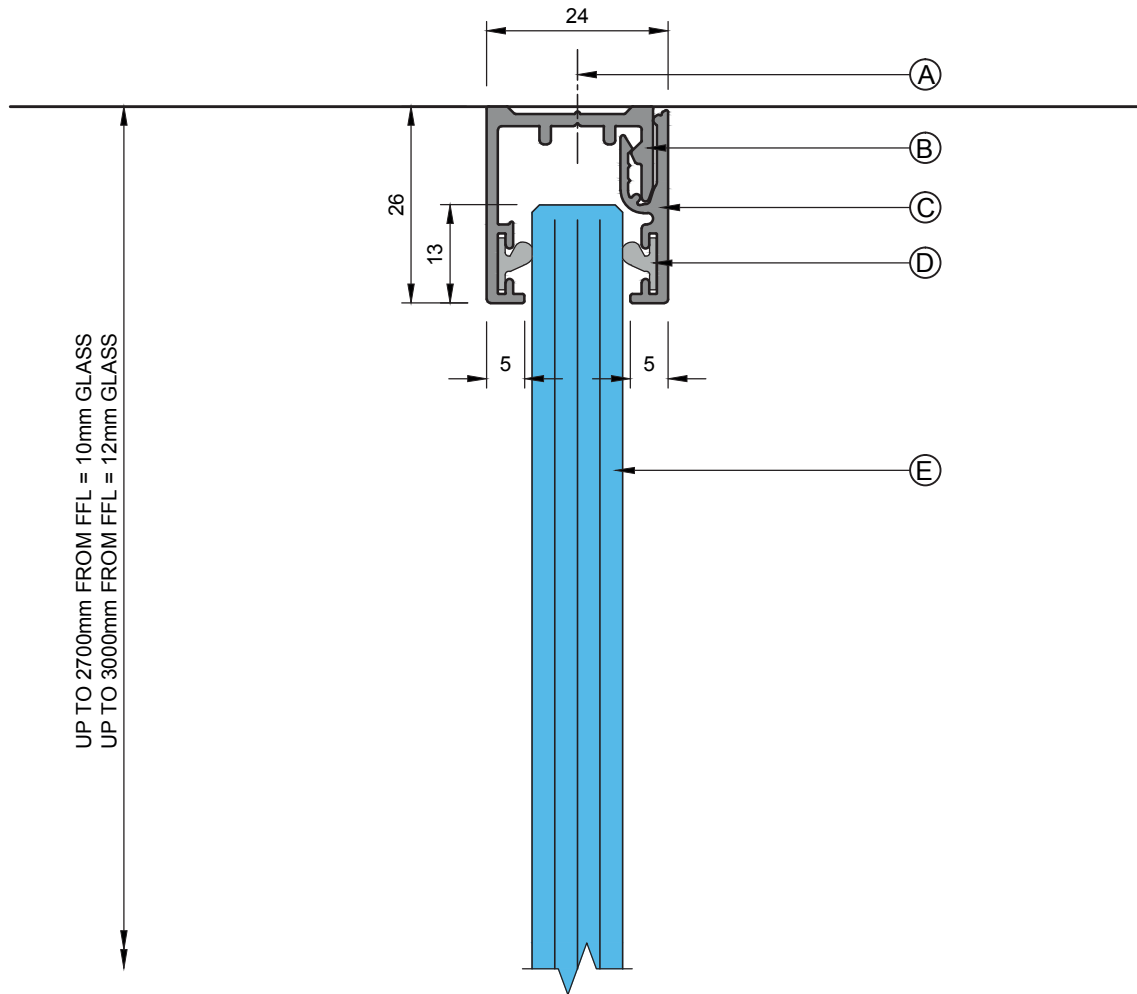
For a range of available milled options please contact our technical department.

Profile	Product Ref / Description	Item No.
SAS System 8000 Ancillaries		
	Glazing Channel Infill	FG8114
	Glass Seal	112217
	Glass Door Flipper Seal	116117
	Flipper Seal	32037
	27x3mm Plywood Door Frame Infill	116119
	Timber Packer	11637
	38x12mm Timber Door Frame Fixing Packer	FG8007
	58x12mm Timber Door Frame Fixing Packer	FG8008
	Timber Infill – use with FG8117	110440
	50 x 17mm Flat Splice Plate	110667
	50 x 17mm 90° Corner Splice Plate	110657
	50 x 17mm 135° Corner Splice Plate	110668
	50 x 24mm Flat Splice Plate	110665
	50 x 24mm 90° Corner Cleat	110669
	50 x 24mm 135° Corner Splice Plate	110655

Profile	Product Ref / Description	Item No.
SAS System 8000 Ancillaries		
	50 x 50mm 90° Corner Cleat	35768
	Door Frame Ceiling Fixing Cleat	35772
	Slimline Door Frame Fixing Plate (right hand)	116113
	Slimline Door Frame Fixing Plate (left hand)	116111
	Double Glazed Door Frame Fixing Plate	116114
	Steel End Cap	FG8009
	Steel End Cap	FG8010
	Glass Door Strike Plate	116294
	Glass Door Shallow Back Box	118868
	Strike Plate	116120
	Shallow Back Box	116121
	Deep Back Box	116929

head details

Drawing description	Drawing number
Two Part Head Detail (10/12mm Glass)	PS/8100/1000
32mm Head Detail (10/12mm Glass)	PS/8100/1001
40mm Head Detail (10/12mm Glass)	PS/8100/1002
50mm Head Detail (10/12mm Glass)	PS/8100/1003
Deflection Head Detail (10/12mm Glass).....	PS/8100/1004
50mm Head Detail (15/17mm Glass)	PS/8100/1005
80mm Head Detail (19/22mm Glass)	PS/8100/1006



UP TO 2700mm FROM FFL = 10mm GLASS
UP TO 3000mm FROM FFL = 12mm GLASS

NON FIRE RATED
SEE FIRE RATED SERIES
OF DRAWINGS

A: SUITABLE FIXINGS
B: FG8109 SINGLE GLAZING TRACK
C: FG8001 GLAZING BEAD
D: 112217 Q-LON SEAL
E: 10/12mm GLASS (NOMINAL GLASS THICKNESS NOTED)



SAS International
31 Suttons Business Park,
London Road, Reading,
Berkshire, RG6 1AZ
Tel: 0118 929 0900
Fax: 0118 929 0908
Technical Helpline:
0118 929 0998
www.sasint.co.uk

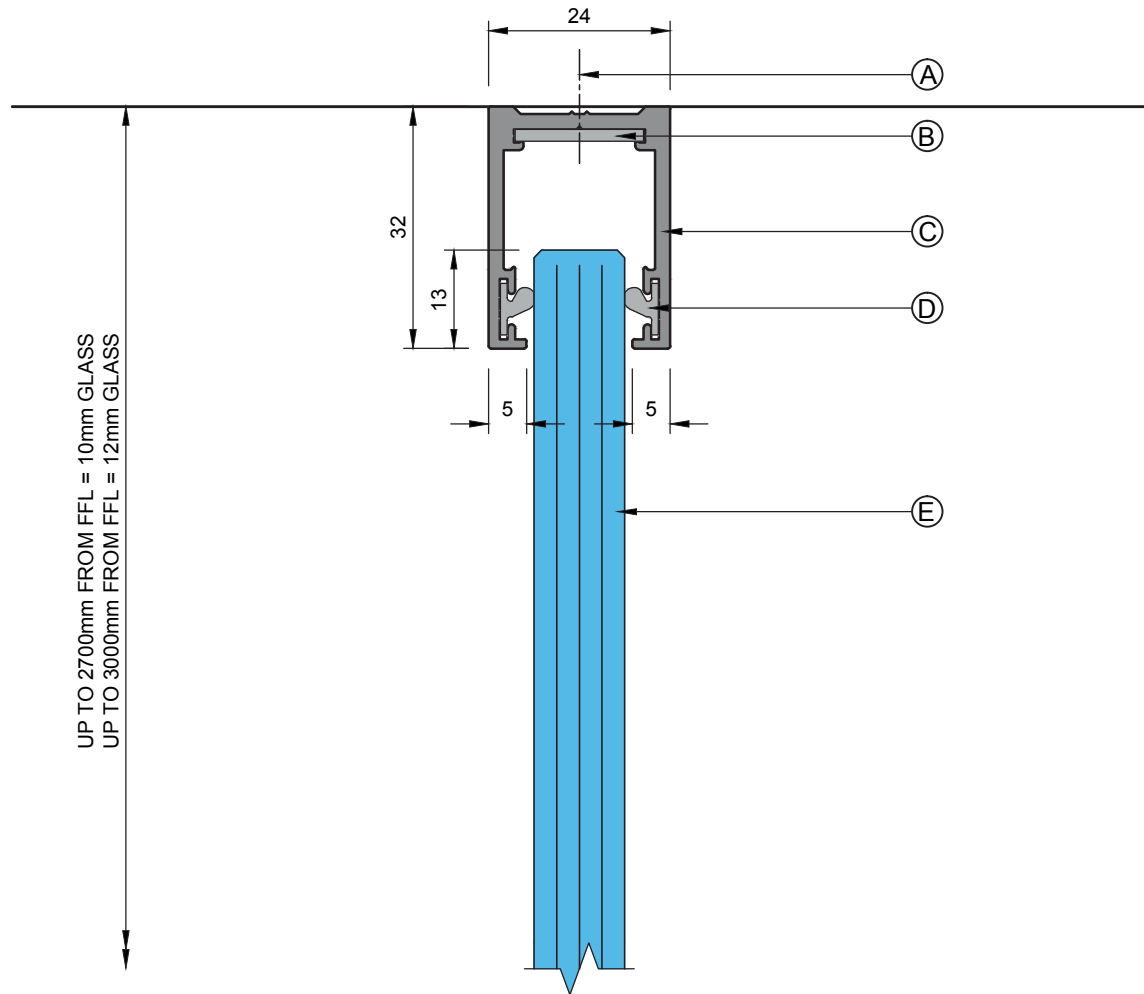
SYSTEM 8000

SINGLE GLAZED
TWO PART HEAD DETAIL

SCALE @ A4
1:1
DRG NO
PS/8100/1000
ISSUED
INFORMATION

DATE
01/03/2012

DRAWN BY
TC
REV
00
CHECKED
KYE



NOTE:
32mm HEAD TRACK TO MATCH DEPTH OF
SYSTEM 3000 AND 4000 HEAD TRACK

NON FIRE RATED
SEE FIRE RATED SERIES
OF DRAWINGS

- A: SUITABLE FIXINGS
- B: 50 x 17mm SPLICE PLATE (STRAIGHT, 90° AND 135° AVAILABLE)
- C: FG8101 32mm HEAD TRACK
- D: 112217 Q-LON SEAL
- E: 10/12mm GLASS (NOMINAL GLASS THICKNESS NOTED)



SAS International
31 Suttons Business Park,
London Road, Reading,
Berkshire, RG6 1AZ
Tel: 0118 929 0900
Fax: 0118 929 0908
Technical Helpline:
0118 929 0998
www.sasint.co.uk

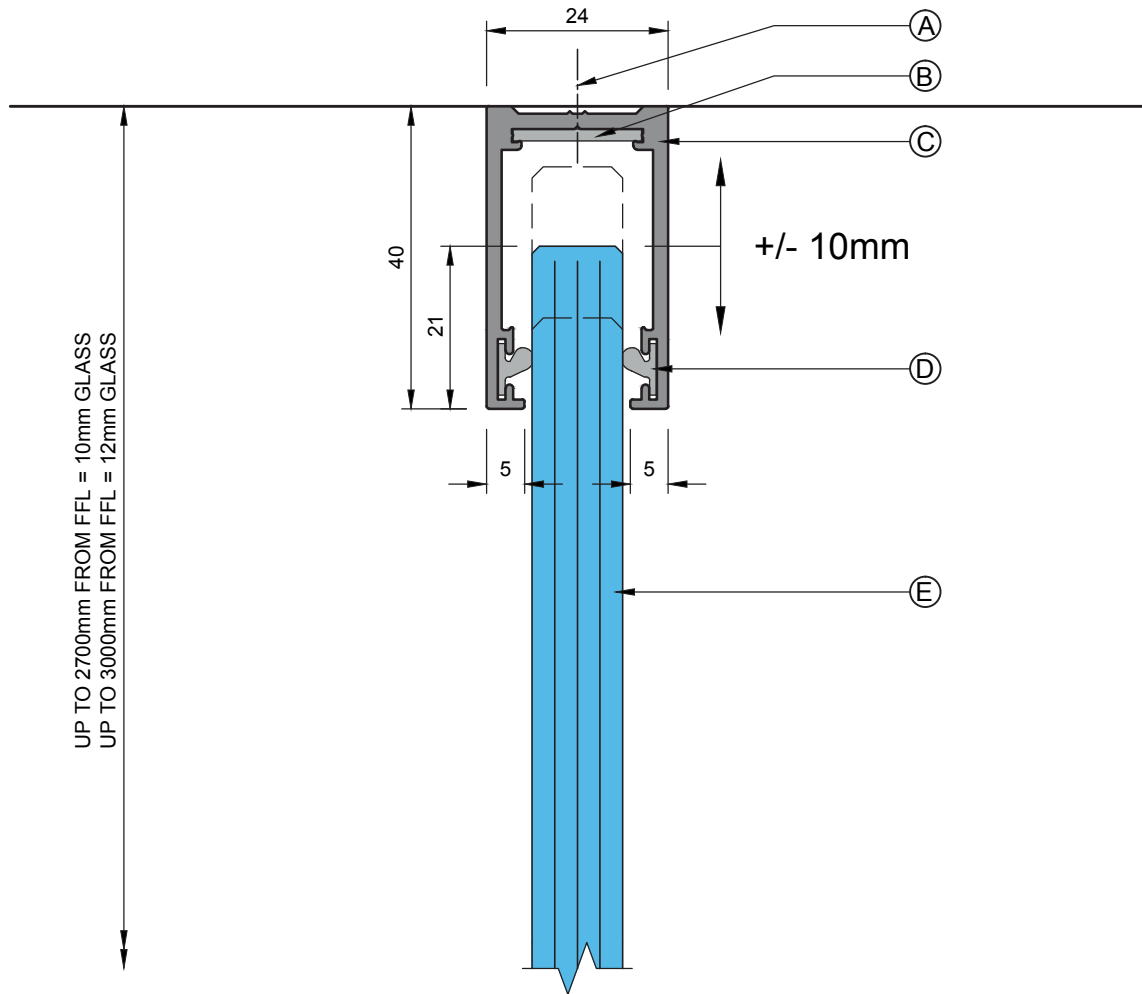
SYSTEM 8000

SINGLE GLAZED
32mm HEAD DETAIL

SCALE @ A4
1:1
DRG NO
PS/8100/1001
ISSUED
INFORMATION

DATE
01/03/2012

DRAWN BY
TC
REV
00
CHECKED
KYE



UP TO 2700mm FROM FFL = 10mm GLASS
UP TO 3000mm FROM FFL = 12mm GLASS

NON FIRE RATED
SEE FIRE RATED SERIES
OF DRAWINGS

- A: SUITABLE FIXINGS
- B: 50 x 17mm SPLICE PLATE (STRAIGHT, 90° AND 135° AVAILABLE)
- C: FG8102 40mm HEAD TRACK
- D: 112217 Q-LON SEAL
- E: 10/12mm GLASS (NOMINAL GLASS THICKNESS SHOWN)



SAS International
31 Suttons Business Park,
London Road, Reading,
Berkshire, RG6 1AZ
Tel: 0118 929 0900
Fax: 0118 929 0908
Technical Helpline:
0118 929 0998
www.sasint.co.uk

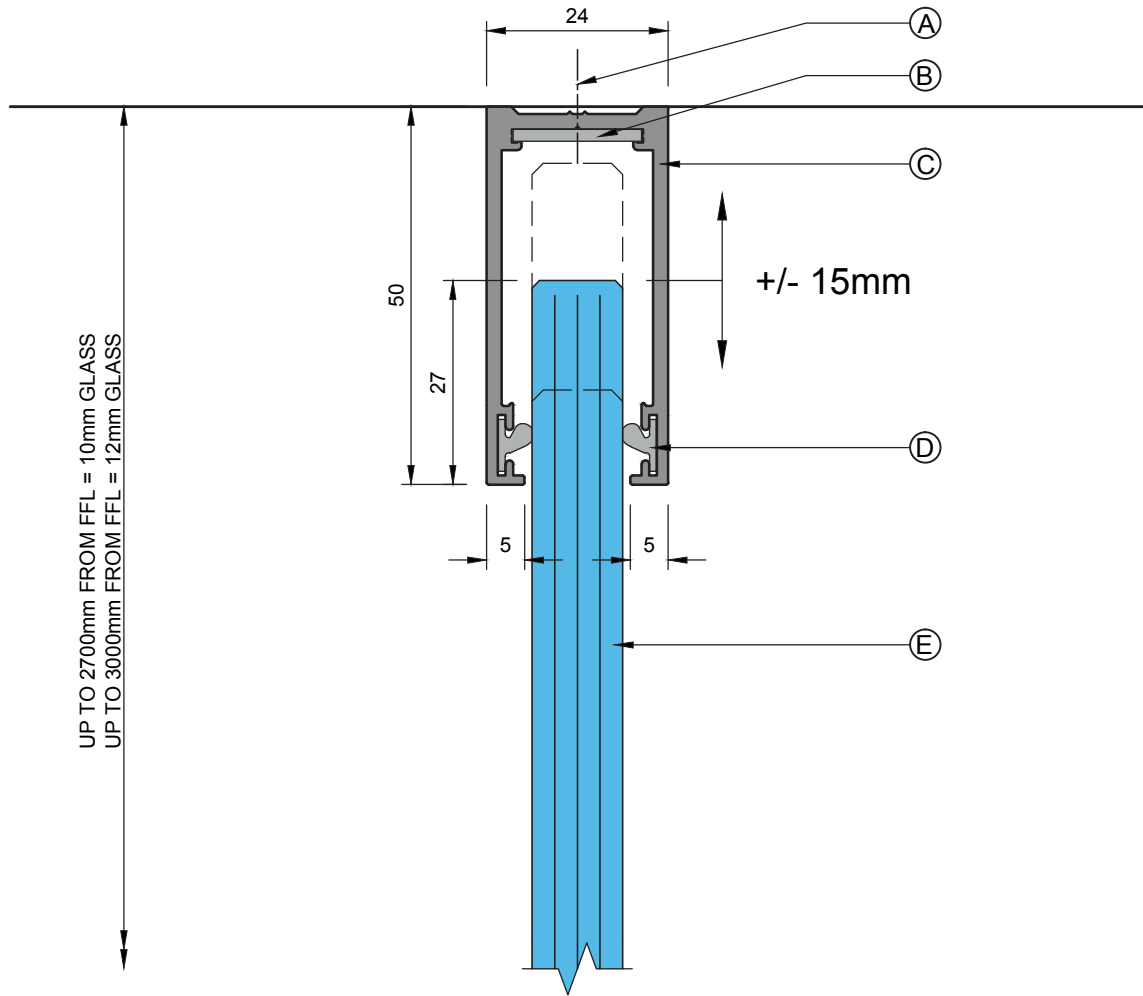
SYSTEM 8000

SINGLE GLAZED
40mm HEAD DETAIL

SCALE @ A4
1:1
DRG NO
PS/8100/1002
ISSUED
INFORMATION

DATE
01/03/2012

DRAWN BY
TC
REV
00
CHECKED
KYE



UP TO 2700mm FROM FFL = 10mm GLASS
 UP TO 3000mm FROM FFL = 12mm GLASS

NON FIRE RATED
 SEE FIRE RATED SERIES
 OF DRAWINGS

- A: SUITABLE FIXINGS
- B: 50 x 17mm SPLICE PLATE (STRAIGHT, 90° AND 135° AVAILABLE)
- C: FG8103 50mm HEAD TRACK
- D: 112217 Q-LON SEAL
- E: 10/12mm GLASS (NOMINAL GLASS THICKNESS NOTED)



SAS International
 31 Suttons Business Park,
 London Road, Reading,
 Berkshire, RG6 1AZ
 Tel: 0118 929 0900
 Fax: 0118 929 0908
 Technical Helpline:
 0118 929 0998
 www.sasint.co.uk

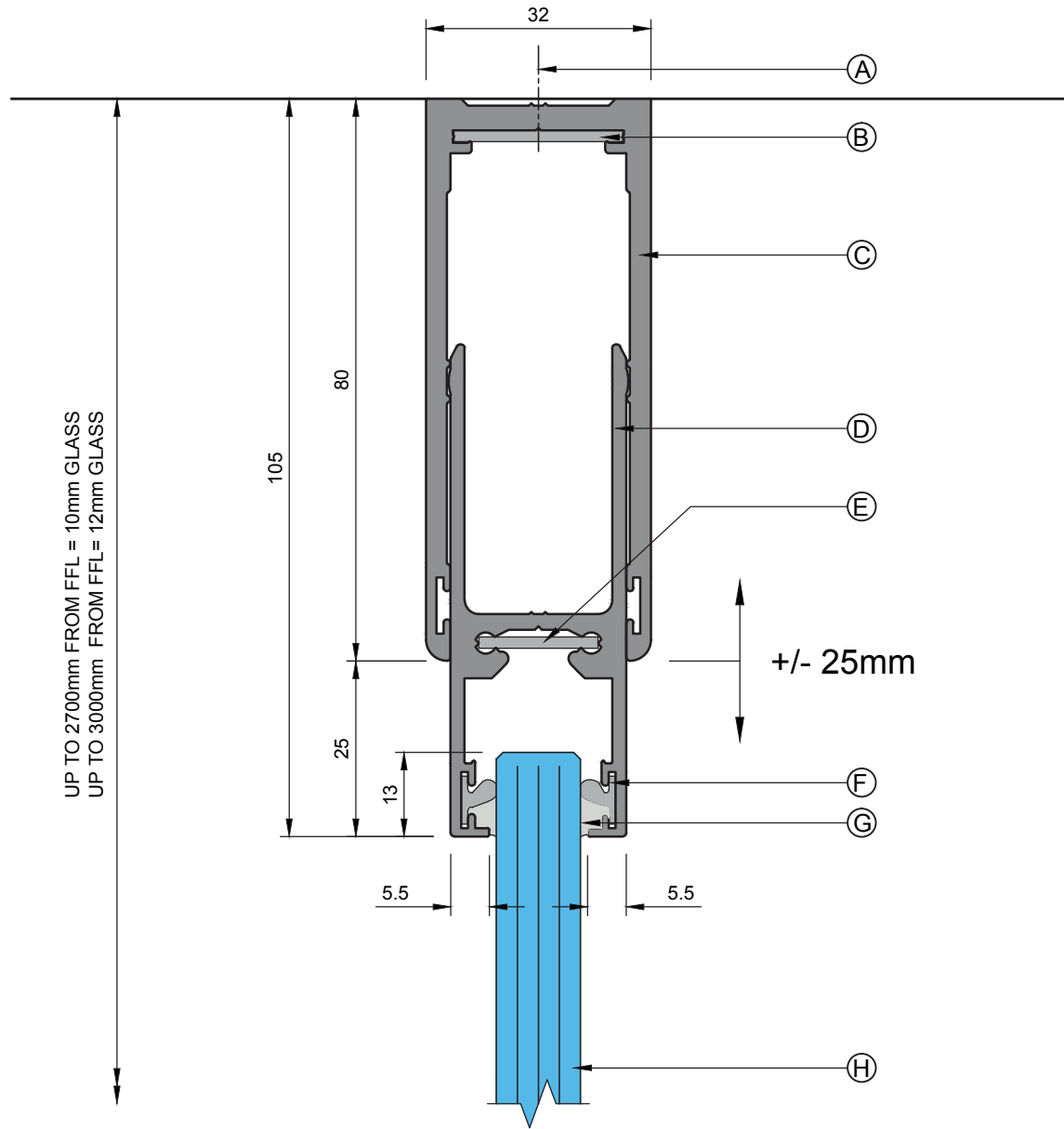
SYSTEM 8000

SINGLE GLAZED
 50mm HEAD DETAIL

SCALE @ A4
 1:1
 DRG NO
 PS/8100/1003
 ISSUED
 INFORMATION

DATE
 01/03/2012

DRAWN BY
 TC
 REV
 00
 CHECKED
 KYE



UP TO 2700mm FROM FFL = 10mm GLASS
UP TO 3000mm FROM FFL = 12mm GLASS

+/- 25mm

- A: SUITABLE FIXINGS
- B: 50 x 24mm SPLICE PLATE (STRAIGHT, 90° AND 135° AVAILABLE)
- C: FG8105 SINGLE GLAZED DEFLECTION HEAD OUTER CHANNEL
- D: FG8106 SINGLE GLAZED DEFLECTION HEAD INNER CHANNEL
- E: 50 x 17mm SPLICE PLATE (STRAIGHT, 90° AND 135° AVAILABLE)
- F: 112217 Q-LON SEAL
- G: MINIMAL SILICONE BEAD
- H: 10/12mm GLASS (NOMINAL GLASS THICKNESS NOTED)

NON FIRE RATED

SEE FIRE RATED SERIES
OF DRAWINGS



SAS International
31 Suttons Business Park,
London Road, Reading,
Berkshire, RG6 1AZ
Tel: 0118 929 0900
Fax: 0118 929 0908
Technical Helpline:
0118 929 0998
www.sasint.co.uk

SYSTEM 8000

SINGLE GLAZED
DEFLECTION HEAD DETAIL

SCALE @ A4

1:1

DRG NO

PS/8100/1004

ISSUED
INFORMATION

DATE

01/03/2012

DRAWN BY

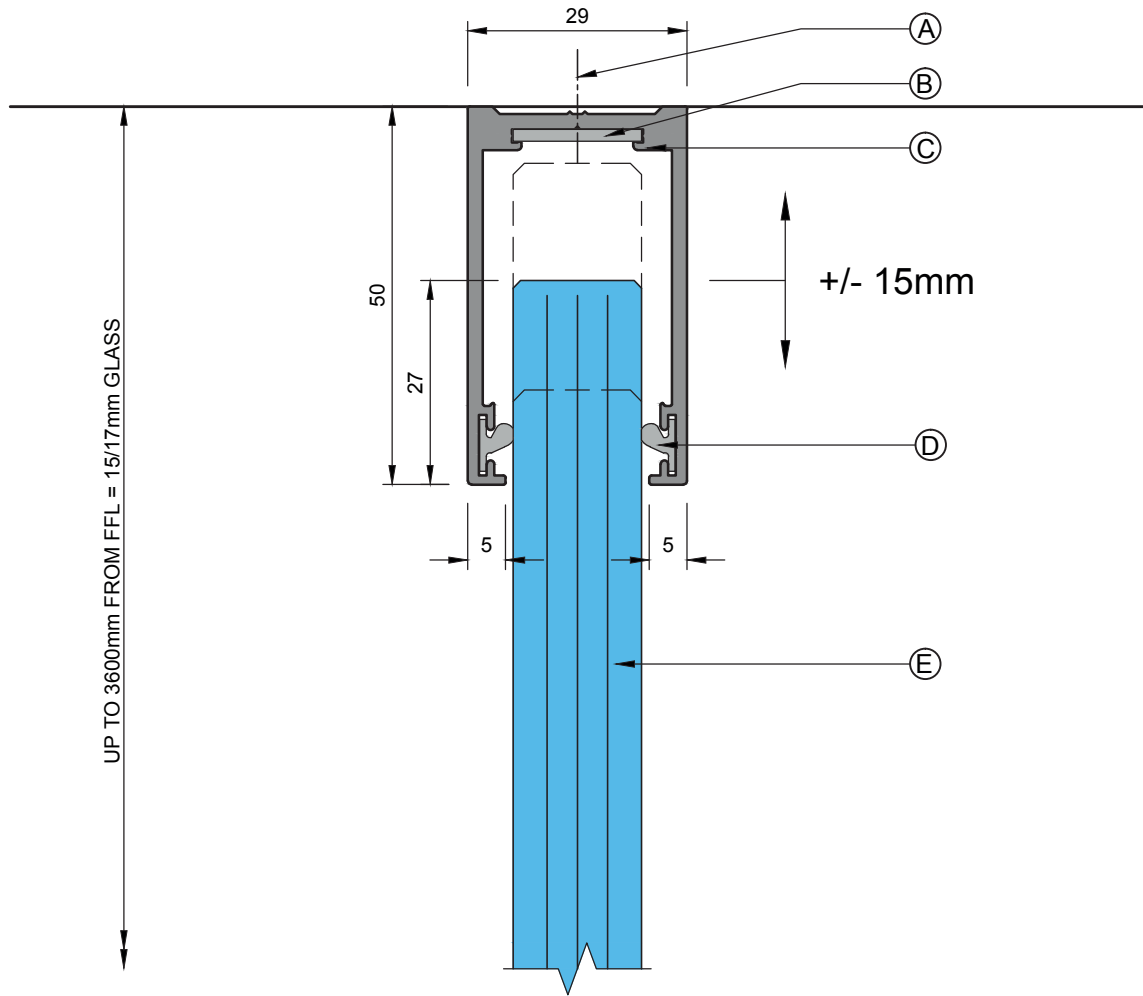
TC

REV

00

CHECKED

KYE



NON FIRE RATED

SEE FIRE RATED SERIES
OF DRAWINGS

- A: SUITABLE FIXINGS
 B: 50 x 17mm SPLICE PLATE (STRAIGHT, 90° AND 135° AVAILABLE)
 C: FG8104 50mm HEAD TRACK
 D: 112217 Q-LON SEAL
 E: 15/17mm GLASS (NOMINAL GLASS THICKNESS NOTED)



SAS International
 31 Suttons Business Park,
 London Road, Reading,
 Berkshire, RG6 1AZ
 Tel: 0118 929 0900
 Fax: 0118 929 0908
 Technical Helpline:
 0118 929 0998
 www.sasint.co.uk

SYSTEM 8000

SINLGE GLAZED
 50mm HEAD DETAIL

SCALE @ A4

1:1

DRG NO

PS/8100/1005

ISSUED
 INFORMATION

DATE

01/03/2012

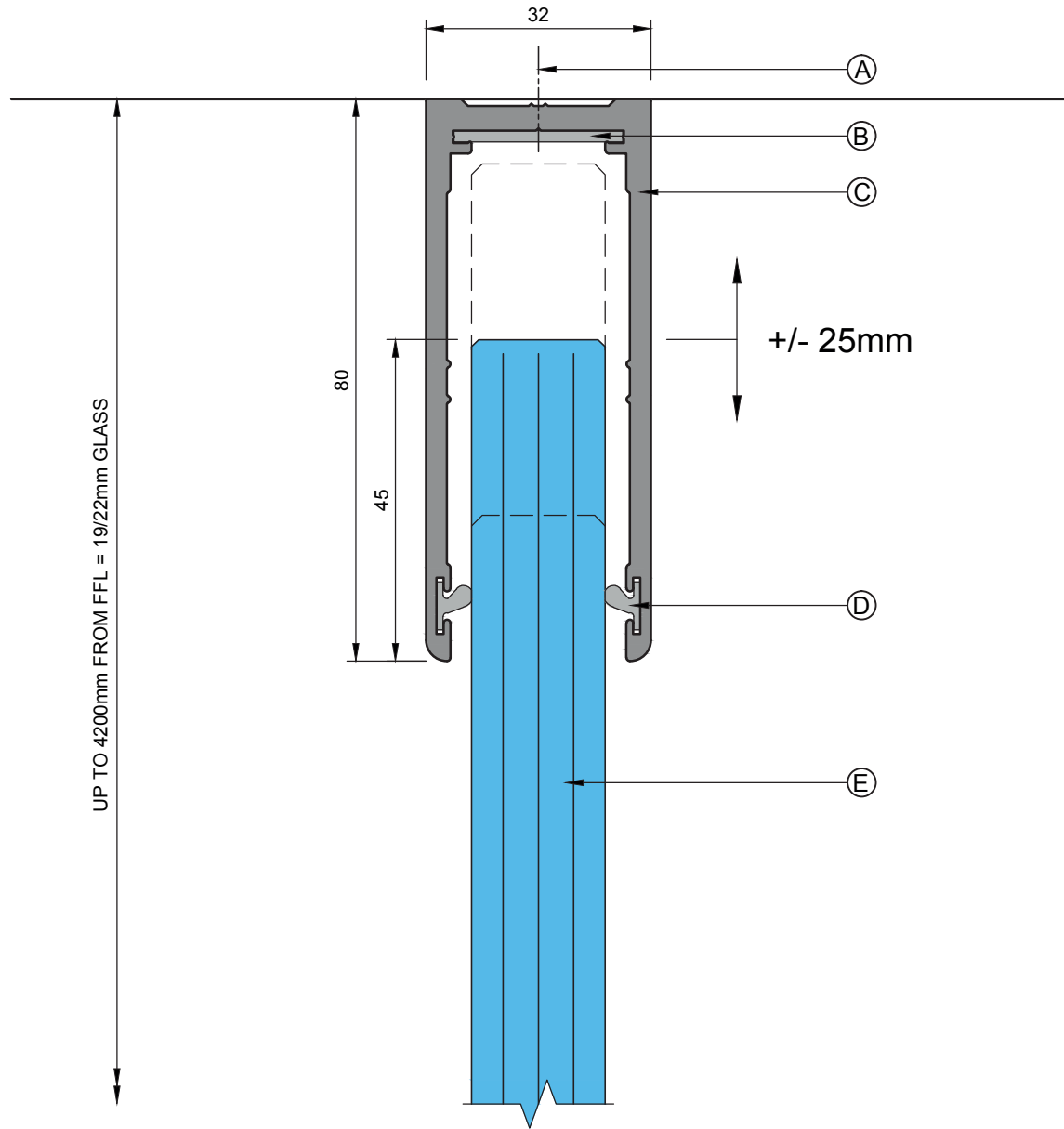
DRAWN BY

TC

REV

00

CHECKED
 KYE



NON FIRE RATED
SEE FIRE RATED SERIES
OF DRAWINGS

- A: SUITABLE FIXINGS
- B: 50 x 24mm SPLICE PLATE (STRAIGHT, 90° AND 135° AVAILABLE)
- C: FG8105 SINGLE GLAZED DEFLECTION HEAD OUTER CHANNEL
- D: 112217 Q-LON SEAL
- E: 19/22mm GLASS (NOMINAL GLASS THICKNESS NOTED)



SAS International
31 Suttons Business Park,
London Road, Reading,
Berkshire, RG6 1AZ
Tel: 0118 929 0900
Fax: 0118 929 0908
Technical Helpline:
0118 929 0998
www.sasint.co.uk

SYSTEM 8000

SINGLE GLAZED
80mm HEAD DETAIL

SCALE @ A4

1:1

DRG NO

PS/8100/1006

ISSUED
INFORMATION

DATE

01/03/2012

DRAWN BY

TC

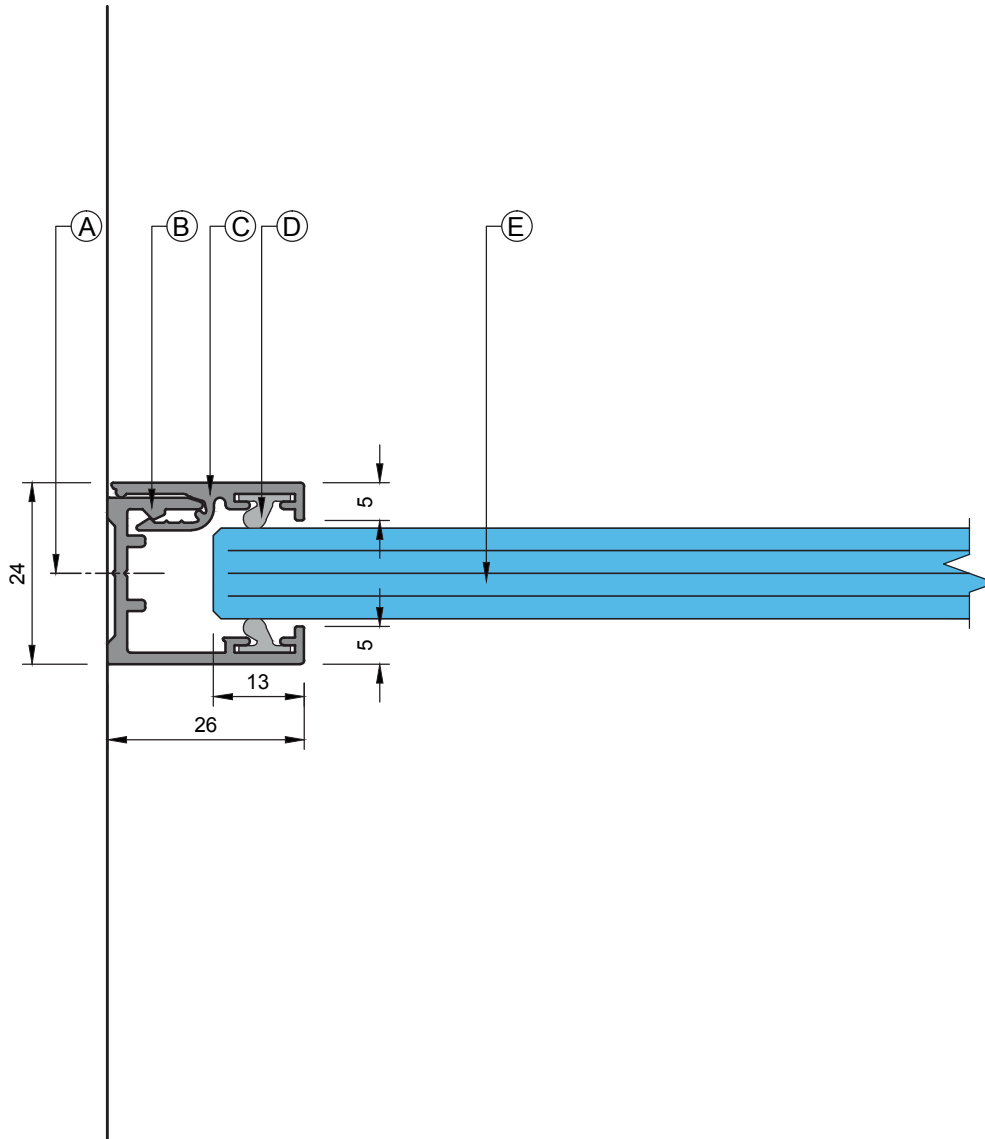
REV

00

CHECKED
KYE

wall abutment details

Drawing description	Drawing number
Two Part Wall Abutment Detail (10/12mm Glass).....	PS/8100/2000
50mm Wall Abutment Detail (10/12mm Glass).....	PS/8100/2001
Wall Abutment Movement Detail (10/12mm Glass).....	PS/8100/2002
26mm Wall Abutment Detail (15/17mm Glass).....	PS/8100/2003
50mm Wall Abutment Detail (15/17mm Glass).....	PS/8100/2004



NON FIRE RATED
SEE FIRE RATED SERIES
OF DRAWINGS

- A: SUITABLE FIXINGS
- B: FG8109 SINGLE GLAZING TRACK
- C: FG8001 GLAZING BEAD
- D: 112217 Q-LON SEAL
- E: 10/12mm GLASS (NOMINAL GLASS THICKNESS NOTED)



SAS International
31 Suttons Business Park,
London Road, Reading,
Berkshire, RG6 1AZ
Tel: 0118 929 0900
Fax: 0118 929 0908
Technical Helpline:
0118 929 0998
www.sasint.co.uk

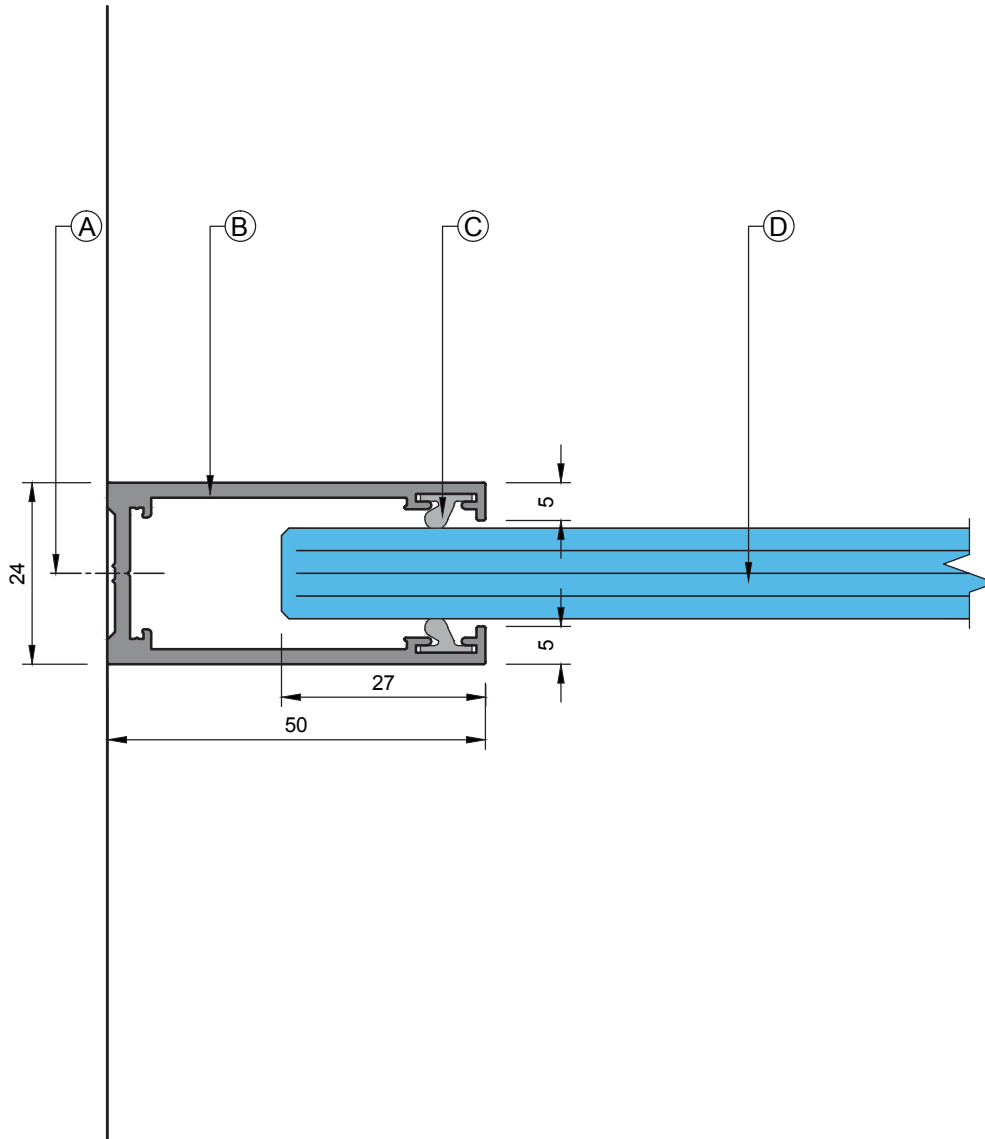
SYSTEM 8000

SINGLE GLAZED
TWO PART WALL ABUTMENT DETAIL

SCALE @ A4
1:1
DRG NO
PS/8100/2000
ISSUED
INFORMATION

DATE
01/03/2012

DRAWN BY
TC
REV
00
CHECKED
KYE



NON FIRE RATED
SEE FIRE RATED SERIES
OF DRAWINGS

A: SUITABLE FIXINGS
B: FG8103 50mm GLAZING TRACK
C: 112217 Q-LON SEAL
D: 10/12mm GLASS (NOMINAL GLASS THICKNESS NOTED)



SAS International
31 Suttons Business Park,
London Road, Reading,
Berkshire, RG6 1AZ
Tel: 0118 929 0900
Fax: 0118 929 0908
Technical Helpline:
0118 929 0998
www.sasint.co.uk

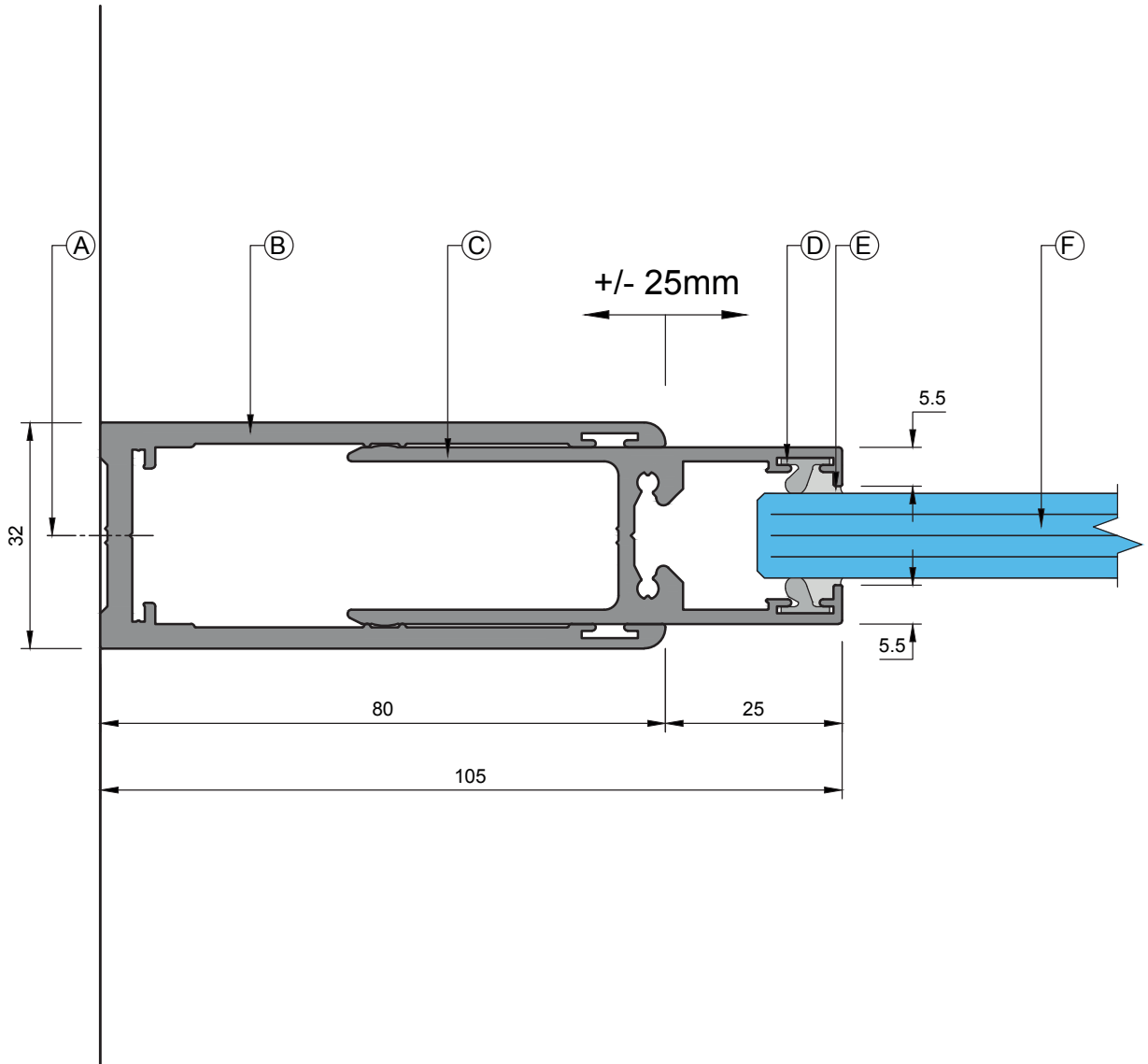
SYSTEM 8000

SINGLE GLAZED
50mm WALL ABUTMENT DETAIL

SCALE @ A4
1:1
DRG NO
PS/8100/2001
ISSUED
INFORMATION

DATE
01/03/2012

DRAWN BY
TC
REV
00
CHECKED
KYE



- A: SUITABLE FIXINGS
- B: FG8105 SINGLE GLAZED DEFLECTION OUTER CHANNEL
- C: FG8106 SINGLE GLAZED DEFLECTION INNER CHANNEL
- D: 112217 Q-LON SEAL
- E: MINIMAL SILICONE BEAD
- F: 10/12mm GLASS (NOMINAL GLASS THICKNESS NOTED)

NON FIRE RATED

SEE FIRE RATED SERIES OF DRAWINGS



SAS International
 31 Suttons Business Park,
 London Road, Reading,
 Berkshire, RG6 1AZ
 Tel: 0118 929 0900
 Fax: 0118 929 0908
 Technical Helpline:
 0118 929 0998
 www.sasint.co.uk

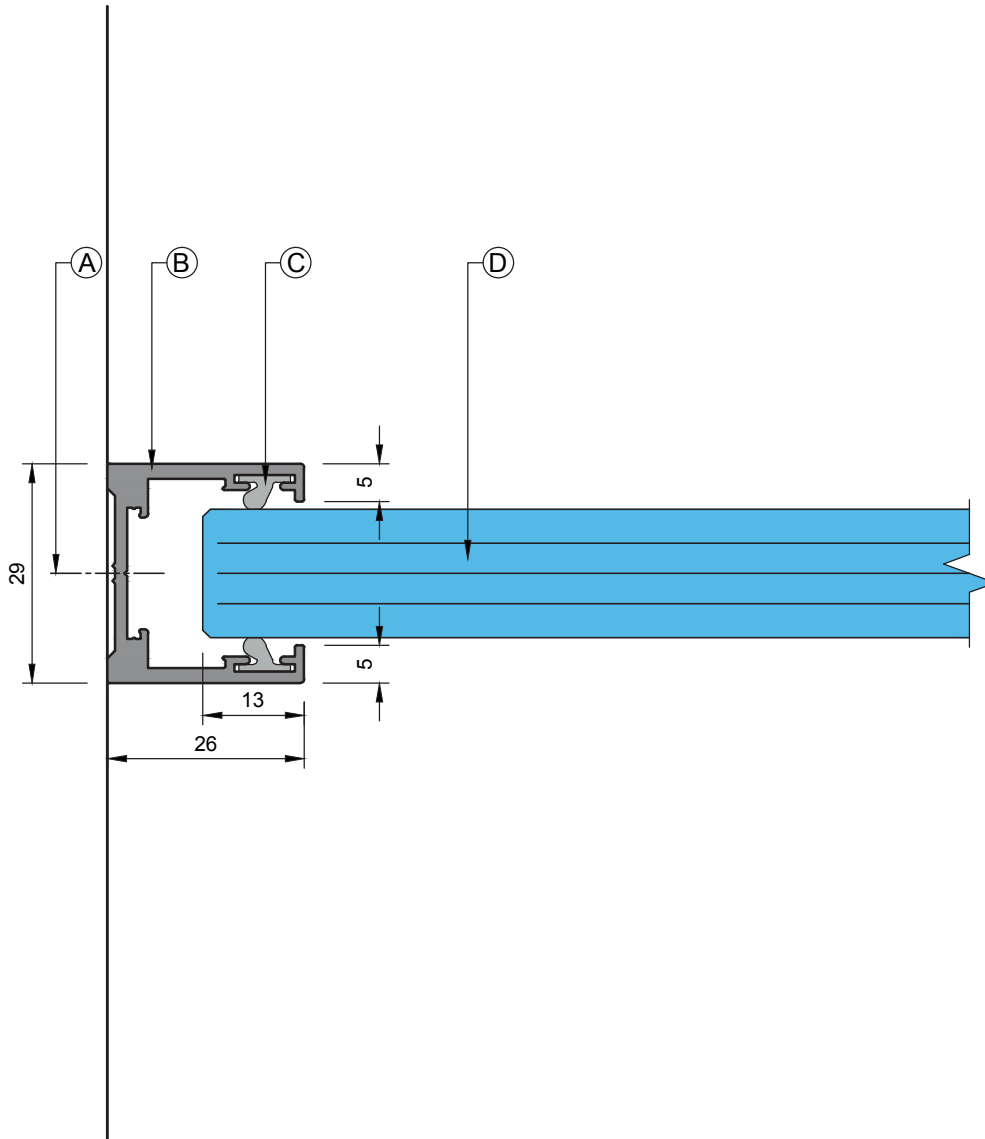
SYSTEM 8000

SINGLE GLAZED
 WALL ABUTMENT MOVEMENT DETAIL

SCALE @ A4
 1:1
 DRG NO
 PS/8100/2002
 ISSUED
 INFORMATION

DATE
 01/03/2012

DRAWN BY
 TC
 REV
 00
 CHECKED
 KYE



NON FIRE RATED
SEE FIRE RATED SERIES
OF DRAWINGS

A: SUITABLE FIXINGS
B: FG8111 SINGLE GLAZING CHANNEL
C: 112217 Q-LON SEAL
D: 15/17mm GLASS (NOMINAL GLASS THICKNESS NOTED)



SAS International
31 Suttons Business Park,
London Road, Reading,
Berkshire, RG6 1AZ
Tel: 0118 929 0900
Fax: 0118 929 0908
Technical Helpline:
0118 929 0998
www.sasint.co.uk

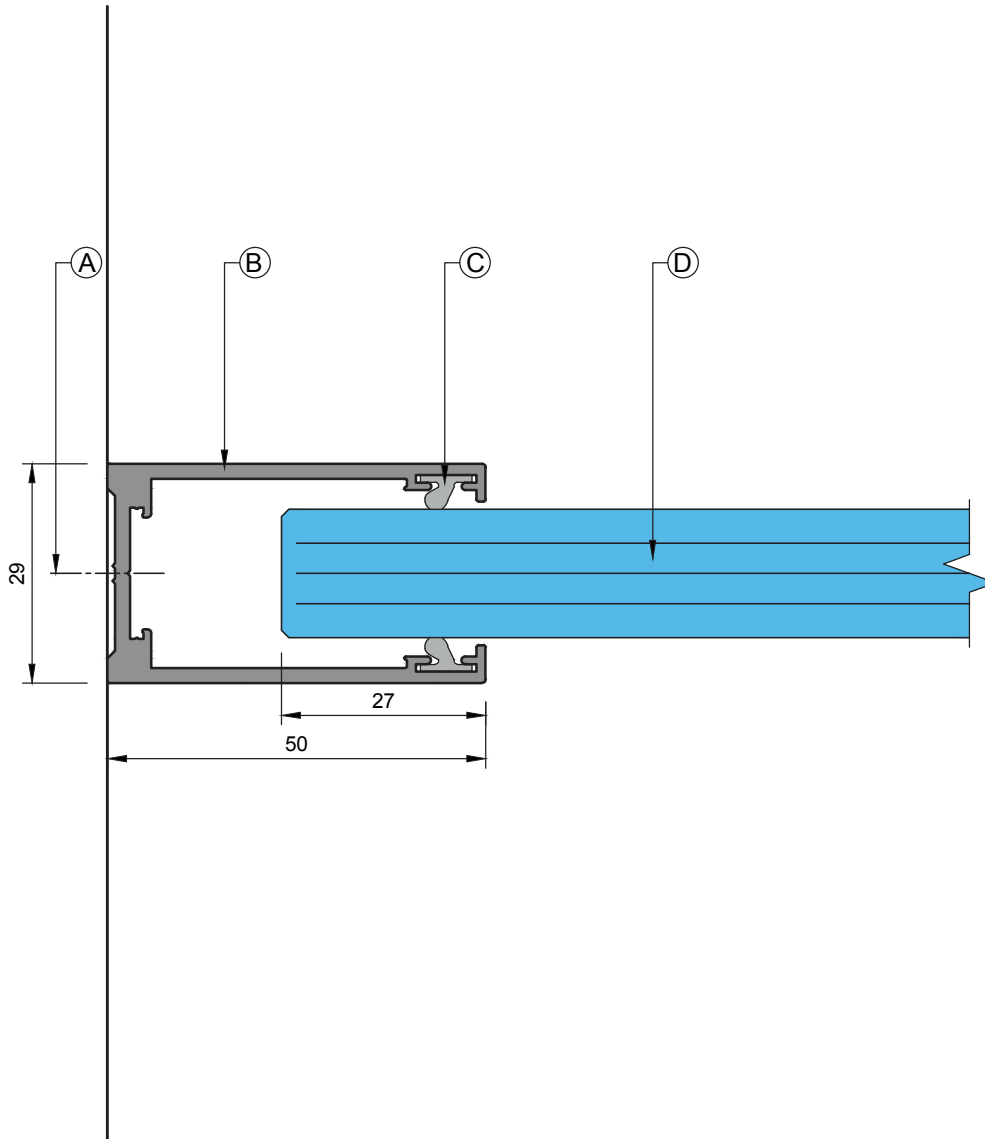
SYSTEM 8000

SINGLE GLAZED
26mm WALL ABUTMENT DETAIL

SCALE @ A4
1:1
DRG NO
PS/8100/2003
ISSUED
INFORMATION

DATE
01/03/2012

DRAWN BY
TC
REV
00
CHECKED
KYE



NON FIRE RATED
SEE FIRE RATED SERIES
OF DRAWINGS

- A: SUITABLE FIXINGS
- B: FG8104 50mm GLAZING TRACK
- C: 112217 Q-LON SEAL
- D: 15/17mm GLASS (NOMINAL GLASS THICKNESS NOTED)



SAS International
31 Suttons Business Park,
London Road, Reading,
Berkshire, RG6 1AZ
Tel: 0118 929 0900
Fax: 0118 929 0908
Technical Helpline:
0118 929 0998
www.sasint.co.uk

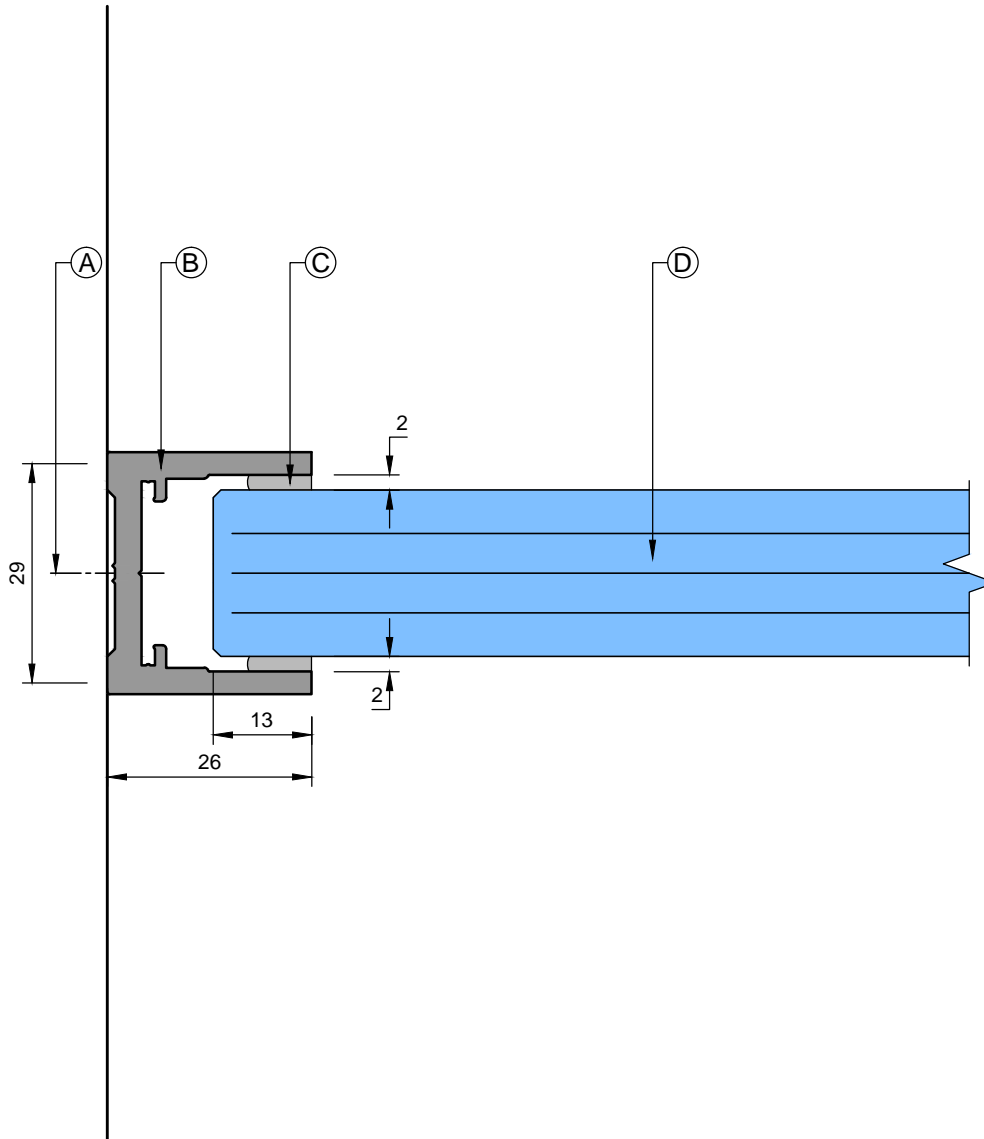
SYSTEM 8000

SINGLE GLAZED
50mm WALL ABUTMENT DETAIL

SCALE @ A4
1:1
DRG NO
PS/8100/2004
ISSUED
INFORMATION

DATE
01/03/2012

DRAWN BY
TC
REV
00
CHECKED
KYE



NON FIRE RATED
SEE FIRE RATED SERIES
OF DRAWINGS

- A: SUITABLE FIXINGS
- B: FG8105M 26mm TRACK
- C: SILICONE BEAD
- D: 19/22mm GLASS (NOMINAL GLASS THICKNESS NOTED)



SAS International
31 Suttons Business Park,
London Road, Reading,
Berkshire, RG6 1AZ
Tel: 0118 929 0900
Fax: 0118 929 0908
Technical Helpline:
0118 929 0998
www.sasint.co.uk

SYSTEM 8000
SINGLE GLAZED
26mm WALL ABUTMENT DETAIL

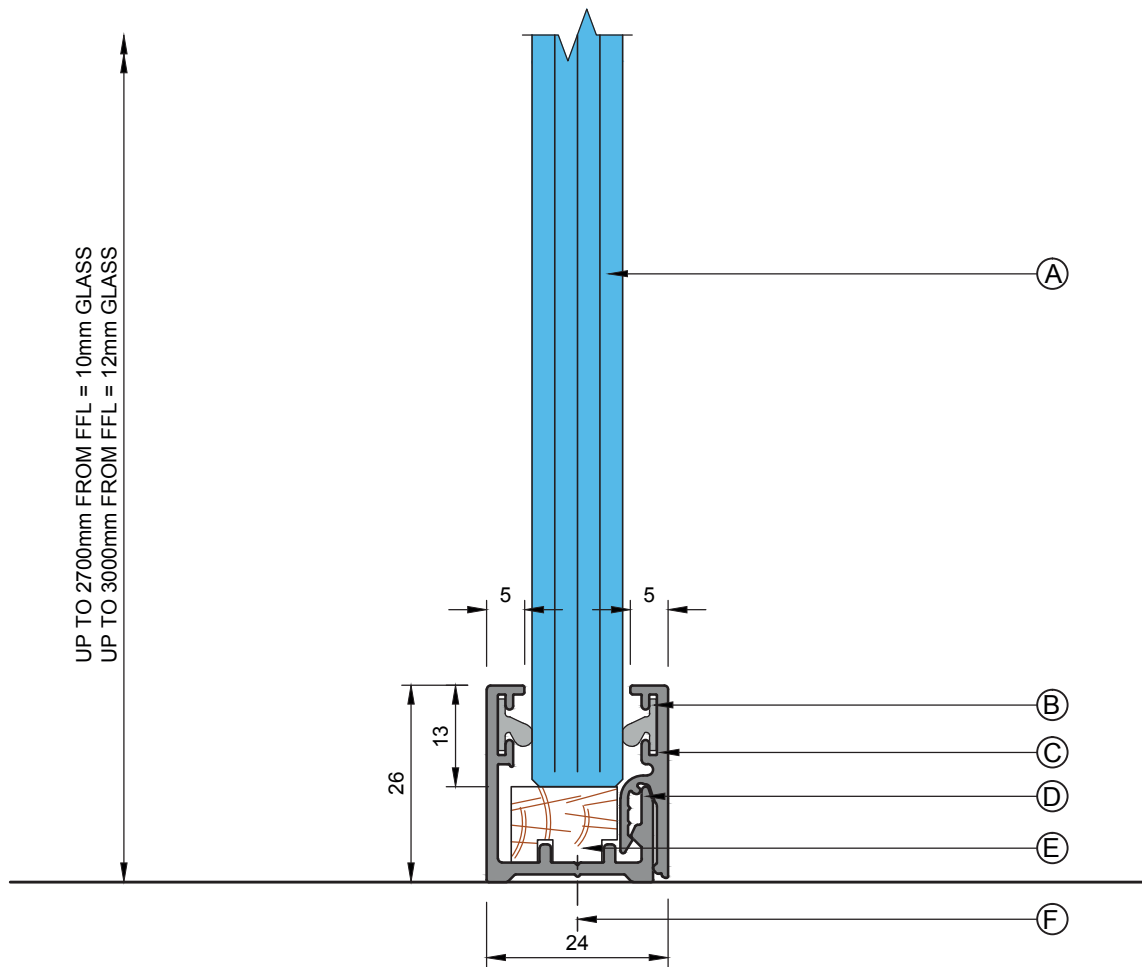
SCALE @ A4
1:1
DRG NO
PS/8100/2005
ISSUED
INFORMATION

DATE
01/03/2012

DRAWN BY
TC
REV
00
CHECKED
KYE

base details

Drawing description	Drawing number
Two Part Base Detail (10/12mm Glass).....	PS/8100/3000
Reverse Floor Angle Base Detail (10/12mm Glass).....	PS/8100/3001
26mm Base Detail (15/17mm Glass).....	PS/8100/3002
Floor Angle Base Detail (10/22mm Glass).....	PS/8100/3003



- A: 10/12mm GLASS (NOMINAL GLASS THICKNESS NOTED)
- B: 112217 Q-LON SEAL
- C: FG8001 GLAZING BEAD
- D: FG8109 SINGLE GLAZING TRACK
- E: 111629 14 x 10mm TIMBER GLAZING PACKER
- F: SUITABLE FIXINGS

NON FIRE RATED
SEE FIRE RATED SERIES
OF DRAWINGS



SAS International
31 Suttons Business Park,
London Road, Reading,
Berkshire, RG6 1AZ
Tel: 0118 929 0900
Fax: 0118 929 0908
Technical Helpline:
0118 929 0998
www.sasint.co.uk

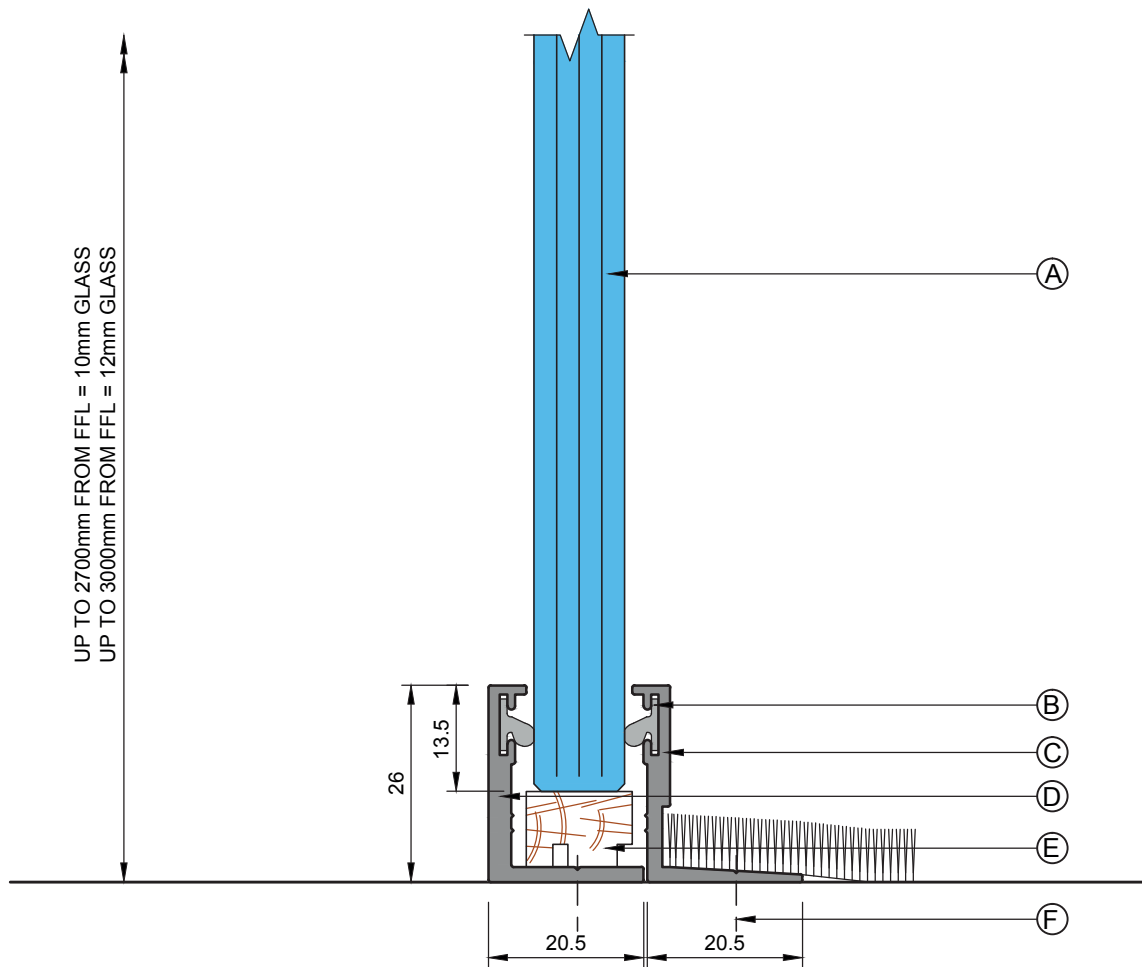
SYSTEM 8000

SINGLE GLAZED
TWO PART BASE DETAIL

SCALE @ A4
1:1
DRG NO
PS/8100/3000
ISSUED
INFORMATION

DATE
01/03/2012

DRAWN BY
TC
REV
00
CHECKED
KYE



- A: 10/12mm GLASS (NOMINAL GLASS THICKNESS NOTED)
- B: 112217 Q-LON SEAL
- C: FG8112 FLOOR ANGLE
- D: FG8113 REVERSE FLOOR ANGLE
- E: 111629 14 x 10mm TIMBER GLAZING PACKER
- F: SUITABLE FIXINGS

NON FIRE RATED
SEE FIRE RATED SERIES
OF DRAWINGS



SAS International
31 Suttons Business Park,
London Road, Reading,
Berkshire, RG6 1AZ
Tel: 0118 929 0900
Fax: 0118 929 0908
Technical Helpline:
0118 929 0998
www.sasint.co.uk

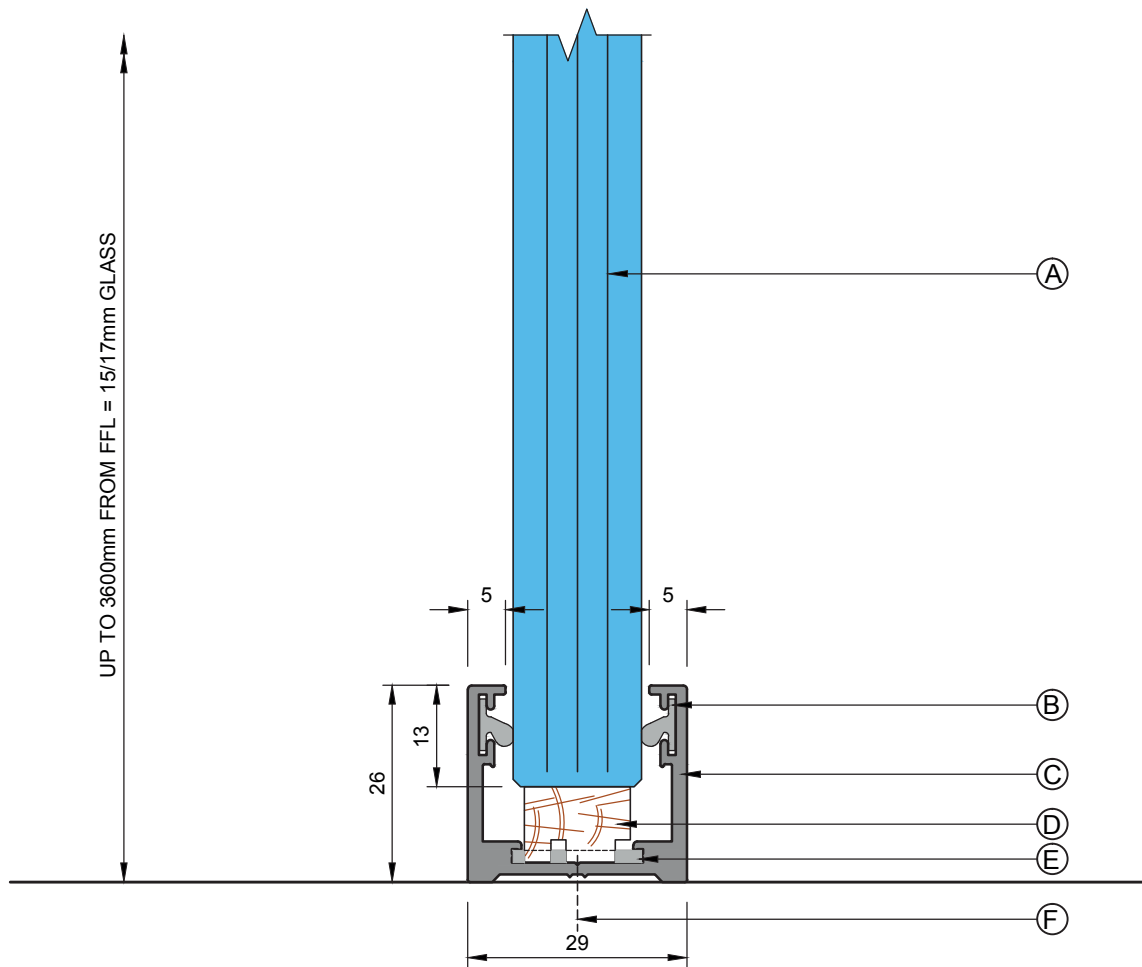
SYSTEM 8000

SINGLE GLAZED
REVERSE FLOOR ANGLE BASE DETAIL

SCALE @ A4
1:1
DRG NO
PS/8100/3001
ISSUED
INFORMATION

DATE
01/03/2012

DRAWN BY
TC
REV
00
CHECKED
KYE



- A: 15/17mm GLASS (NOMINAL GLASS THICKNESS NOTED)
- B: 112217 Q-LON SEAL
- C: FG8111 SINGLE GLAZED CHANNEL
- D: 111629 14 x 10mm STANDARD TIMBER GLAZING PACKER
- E: 50 x 17mm SPLICE PLATE (STRAIGHT, 90° AND 135° AVAILABLE)
- F: SUITABLE FIXINGS

NON FIRE RATED
SEE FIRE RATED SERIES
OF DRAWINGS



SAS International
31 Suttons Business Park,
London Road, Reading,
Berkshire, RG6 1AZ
Tel: 0118 929 0900
Fax: 0118 929 0908
Technical Helpline:
0118 929 0998
www.sasint.co.uk

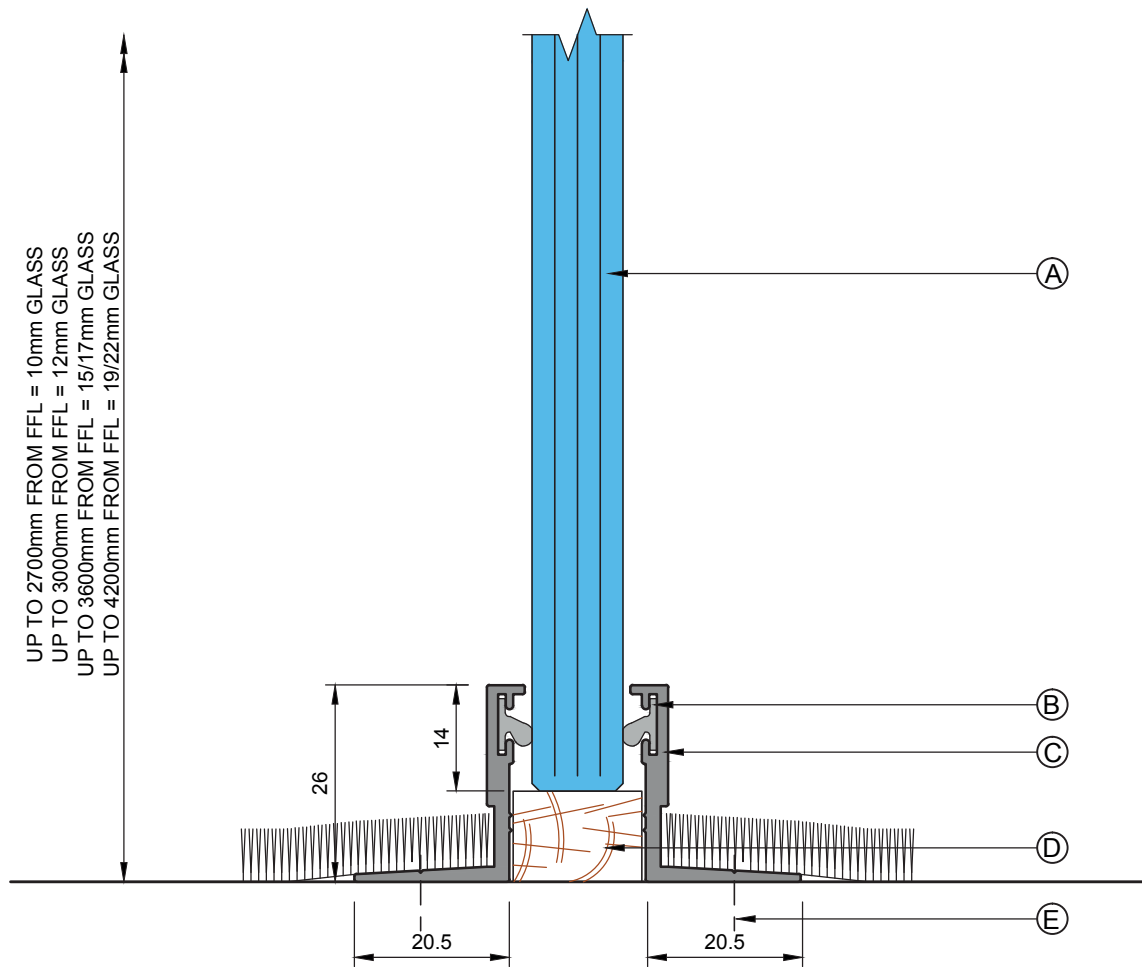
SYSTEM 8000

SINGLE GLAZED
26mm BASE DETAIL

SCALE @ A4
1:1
DRG NO
PS/8100/3002
ISSUED
INFORMATION

DATE
01/03/2012

DRAWN BY
TC
REV
00
CHECKED
KYE



NON FIRE RATED

SEE FIRE RATED SERIES
OF DRAWINGS

A: 10/22mm GLASS (NOMINAL GLASS THICKNESS NOTED)
 B: 112217 Q-LON SEAL
 C: FG8112 FLOOR ANGLE
 D: 111626 17 x 12mm TIMBER GLAZING PACKER
 E: SUITABLE FIXINGS



SAS International
 31 Suttons Business Park,
 London Road, Reading,
 Berkshire, RG6 1AZ
 Tel: 0118 929 0900
 Fax: 0118 929 0908
 Technical Helpline:
 0118 929 0998
 www.sasint.co.uk

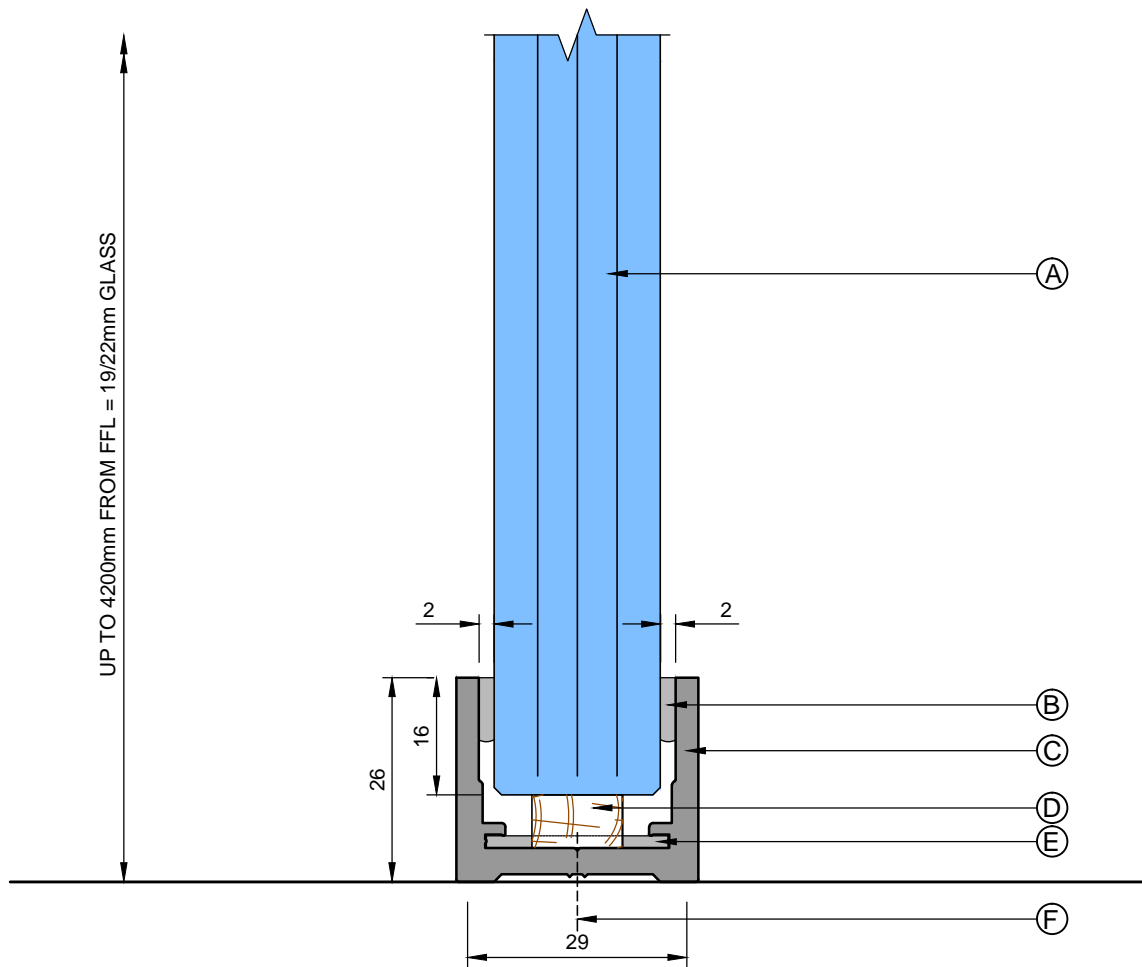
SYSTEM 8000

SINGLE GLAZED
 FLOOR ANGLE BASE DETAIL

SCALE @ A4
 1:1
 DRG NO
 PS/8100/3003
 ISSUED
 INFORMATION

DATE
 01/03/2012

DRAWN BY
 TC
 REV
 00
 CHECKED
 KYE



- A: 19/22mm GLASS (NOMINAL GLASS THICKNESS NOTED)
- B: SILICONE BEAD
- C: FG8105M 26mm TRACK
- D: 111637 12 x 7mm TIMBER PACKER
- E: 50 x 24mm SPLICE PLATE (STRAIGHT, 90° AND 135° AVAILABLE)
- F: SUITABLE FIXINGS

NON FIRE RATED
SEE FIRE RATED SERIES
OF DRAWINGS



SAS International
31 Suttons Business Park,
London Road, Reading,
Berkshire, RG6 1AZ
Tel: 0118 929 0900
Fax: 0118 929 0908
Technical Helpline:
0118 929 0998
www.sasint.co.uk

SYSTEM 8000

SINGLE GLAZED
26mm BASE DETAIL

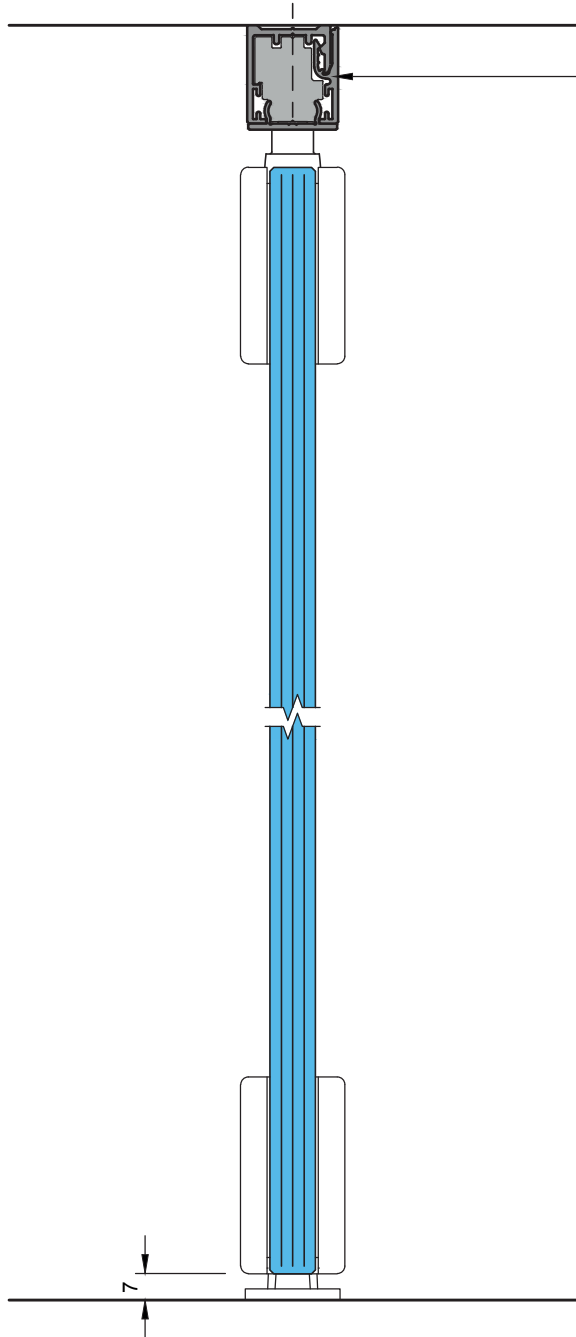
SCALE @ A4
1:1
DRG NO
PS/8100/3004
ISSUED
INFORMATION

DATE
01/03/2012

DRAWN BY
TC
REV
00
CHECKED
KYE

door frame details (glass doors)

Drawing description	Drawing number
Frameless Glass Door Leaf Vertical Section.....	PS/8100/4000
Frameless Glass Door Leaf Two Part Head.....	PS/8100/4001
Frameless Glass Door Leaf 40mm Head.....	PS/8100/4002
Frameless Glass Door Leaf 50mm Head.....	PS/8100/4003
Frameless Glass Door Leaf Deflection Head.....	PS/8100/4004
Eclipse SG Vertical Section.....	PS/8100/4100
Single Eclipse SG Horizontal Section.....	PS/8100/4101
Double Eclipse SG Horizontal Section.....	PS/8100/4102
Hinged Glass Door Leaf Vertical Section.....	PS/8100/4200
Hinged Glass Door Leaf (GDDS) Vertical Section.....	PS/8100/4201
Door Frame Head Detail (10/12mm Glass).....	PS/8100/4202
Door Frame Head Detail (15/17mm Glass).....	PS/8100/4203
Two Part Door Frame Head Detail (10/12mm Glass).....	PS/8100/4204
40mm Door Frame Head Detail (10/12mm Glass).....	PS/8100/4205
50mm Door Frame Head Detail (10/12mm Glass).....	PS/8100/4206
Deflection Door Frame Head Detail (10/12mm Glass).....	PS/8100/4207
Two Part Reduced Head Detail.....	PS/8100/4208
40mm Reduced Head Detail.....	PS/8100/4209
50mm Reduced Head Detail.....	PS/8100/4210
Deflection Reduced Head Detail.....	PS/8100/4211
Door Frame With Glass Above (10/12mm Glass).....	PS/8100/4212
Door Frame With Glass Above (15/17mm Glass).....	PS/8100/4213
Single Hinged Glass Door Leaf Horizontal Section.....	PS/8100/4300
Double Hinged Glass Door Leaf Horizontal Section.....	PS/8100/4301
Door Frame Jamb (10/12mm Glass).....	PS/8100/4302
Door Frame Jamb (15/17mm Glass).....	PS/8100/4303
Door Frame Wall Abutment (10/12mm Glass).....	PS/8100/4304
Door Frame Wall Abutment (15/17mm Glass).....	PS/8100/4305



PLEASE REFER TO
SUBSEQUENT
DRAWINGS FOR
FRAMELESS PIVOTING
GLASS DOOR HEAD
OPTIONS

NON FIRE RATED
SEE FIRE RATED SERIES
OF DRAWINGS



SAS International
31 Suttons Business Park,
London Road, Reading,
Berkshire, RG6 1AZ
Tel: 0118 929 0900
Fax: 0118 929 0908
Technical Helpline:
0118 929 0998
www.sasint.co.uk

SYSTEM 8000

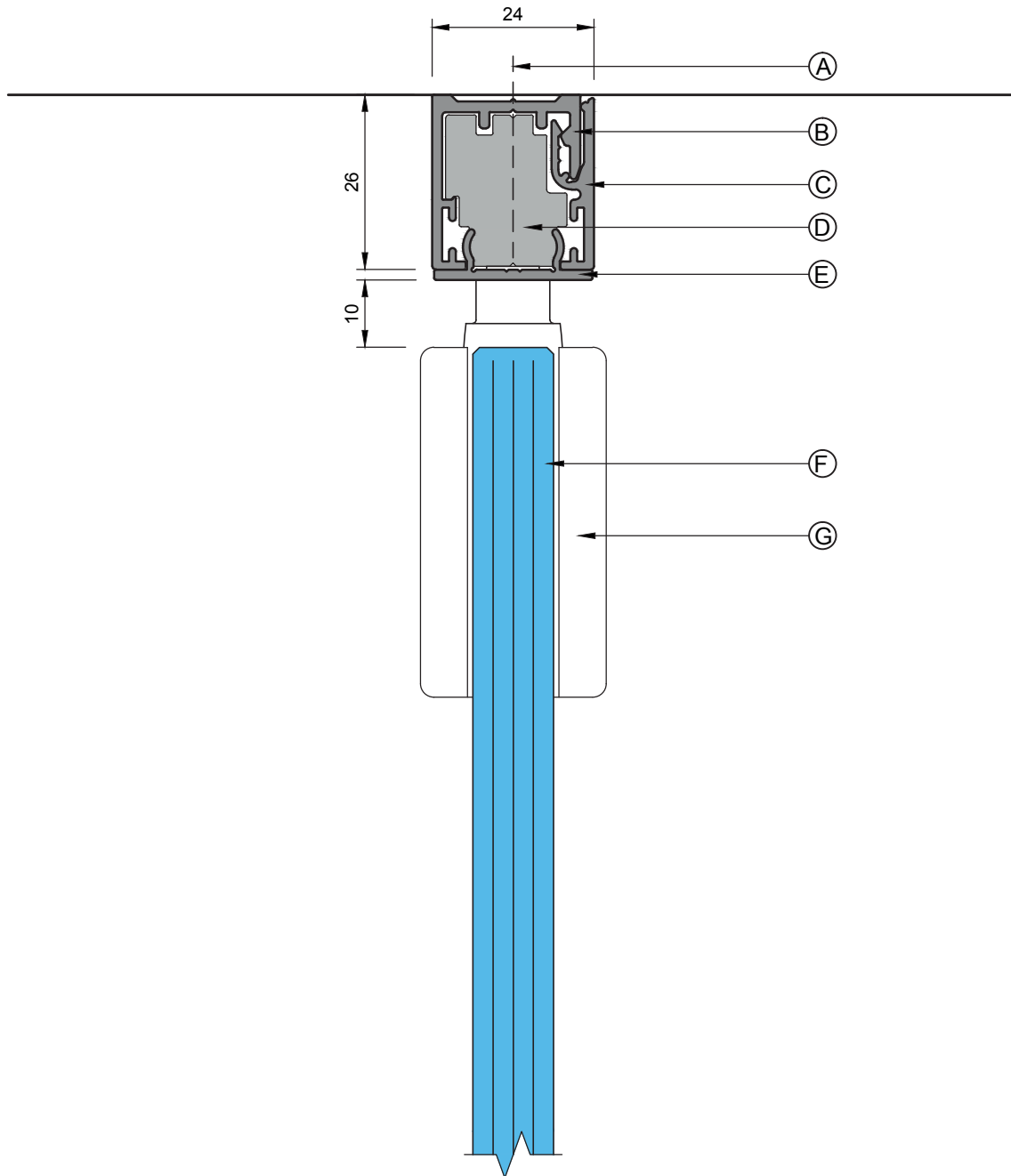
SINGLE GLAZED
FRAMELESS GLASS DOOR LEAF

SCALE @ A4
1:2
DRG NO
PS/8100/4000
ISSUED
INFORMATION

DATE
01/03/2012

DRAWN BY
TC
REV
00
CHECKED
KYE

SAS International claims proprietary rights in the information disclosed herein. This drawing is furnished in confidence on the express understanding that neither it nor any reproduction thereof will be disclosed to others or used for the purpose of manufacture or procurement of the article or part shown hereon without the express consent in writing of SAS International. It should be understood that any article or part either made in accordance with the attached drawing or copied from an article or part made in accordance with said drawing, without the express permission in writing of SAS International, will be an infringement of the Copyright which subsists in said drawing and therefore actionable by law.
© 2010 SAS International



- A: SUITABLE FIXINGS
- B: FG8109 SINGLE GLAZING TRACK
- C: FG8001 GLAZING BEAD
- D: 119989 COMPLETE PIVOT BLOCK PACK
- E: FG8114 GLAZING CHANNEL INFILL
- F: 10/12mm GLASS DOOR LEAF
- G: CENTRAL PIVOT PATCH FITTING

NON FIRE RATED
SEE FIRE RATED SERIES
OF DRAWINGS



SAS International
31 Suttons Business Park,
London Road, Reading,
Berkshire, RG6 1AZ
Tel: 0118 929 0900
Fax: 0118 929 0908
Technical Helpline:
0118 929 0998
www.sasint.co.uk

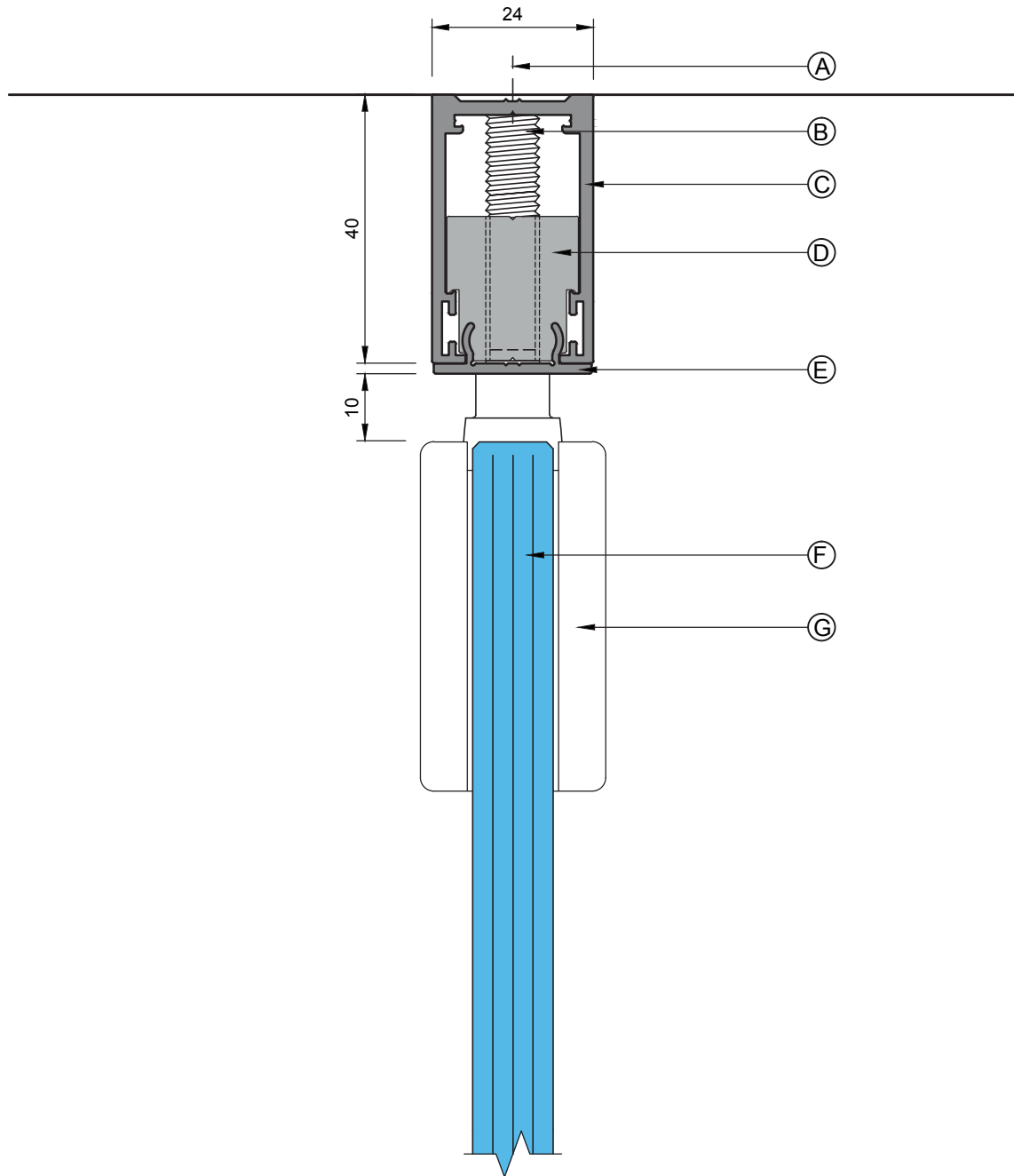
SYSTEM 8000

SINGLE GLAZED
TWO PART FRAMELESS DOOR LEAF

SCALE @ A4
1:1
DRG NO
PS/8100/4001
ISSUED
INFORMATION

DATE
01/03/2012

DRAWN BY
TC
REV
00
CHECKED
KYE



- A: SUITABLE FIXINGS
- B: 8 x 35mm GRUB SCREW
- C: FG8102 40mm HEAD TRACK
- D: 119994 COMPLETE PIVOT BLOCK PACK
- E: FG8114 GLAZING CHANNEL INFILL
- F: 10/12mm GLASS DOOR LEAF
- G: CENTRAL PIVOT PATCH FITTING

NON FIRE RATED
SEE FIRE RATED SERIES
OF DRAWINGS



SAS International
31 Suttons Business Park,
London Road, Reading,
Berkshire, RG6 1AZ
Tel: 0118 929 0900
Fax: 0118 929 0908
Technical Helpline:
0118 929 0998
www.sasint.co.uk

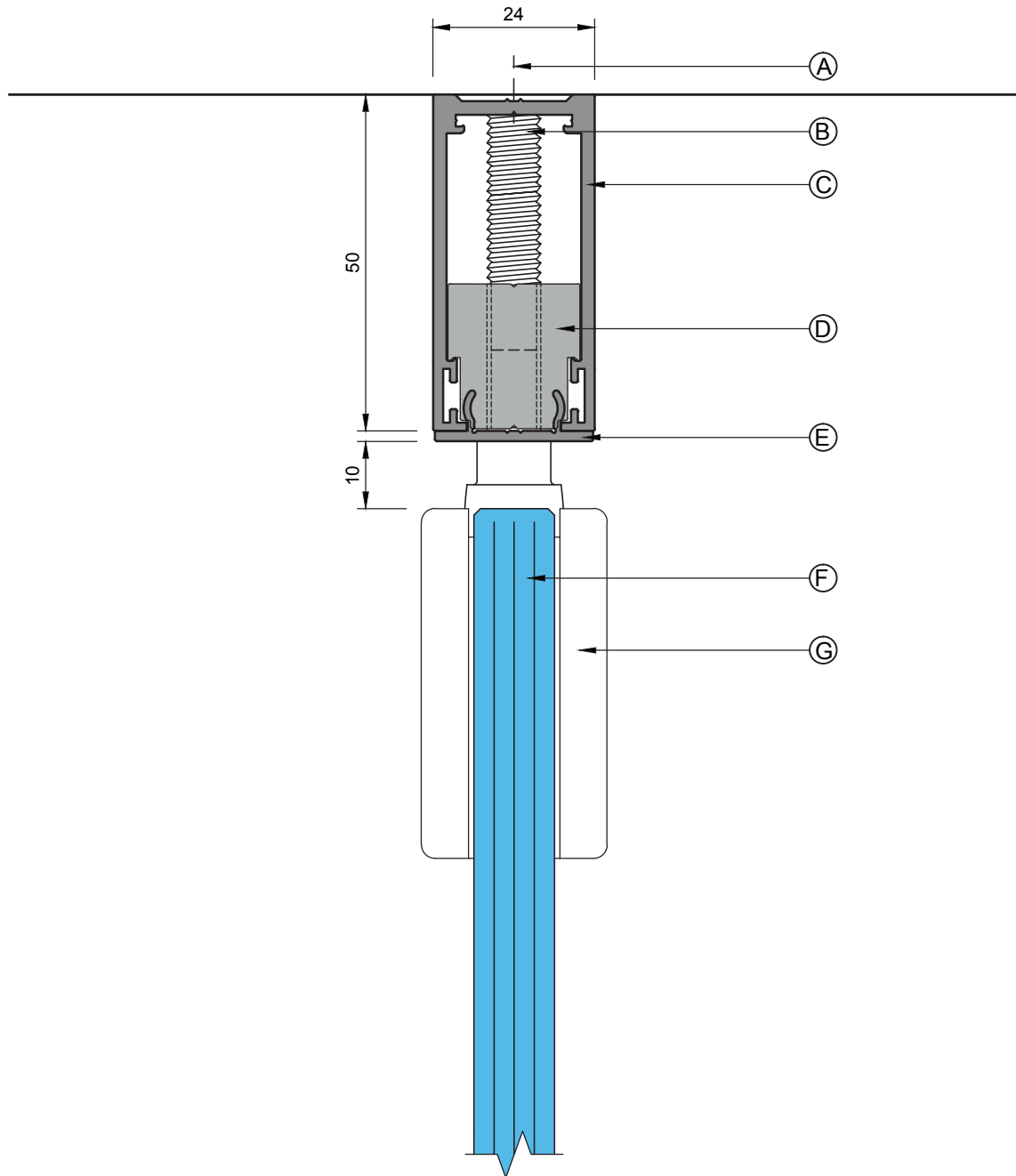
SYSTEM 8000

SINGLE GLAZED
40mm FRAMELESS DOOR LEAF

SCALE @ A4
1:1
DRG NO
PS/8100/4002
ISSUED
INFORMATION

DATE
01/03/2012

DRAWN BY
TC
REV
00
CHECKED
KYE



- A: SUITABLE FIXINGS
- B: 8 x 35mm GRUB SCREW
- C: FG8103 50mm HEAD TRACK
- D: 119994 COMPLETE PIVOT BLOCK PACK
- E: FG8114 GLAZING CHANNEL INFILL
- F: 10/12mm GLASS DOOR LEAF
- G: CENTRAL PIVOT PATCH FITTING

NON FIRE RATED

SEE FIRE RATED SERIES OF DRAWINGS



SAS International
 31 Suttons Business Park,
 London Road, Reading,
 Berkshire, RG6 1AZ
 Tel: 0118 929 0900
 Fax: 0118 929 0908
 Technical Helpline:
 0118 929 0998
 www.sasint.co.uk

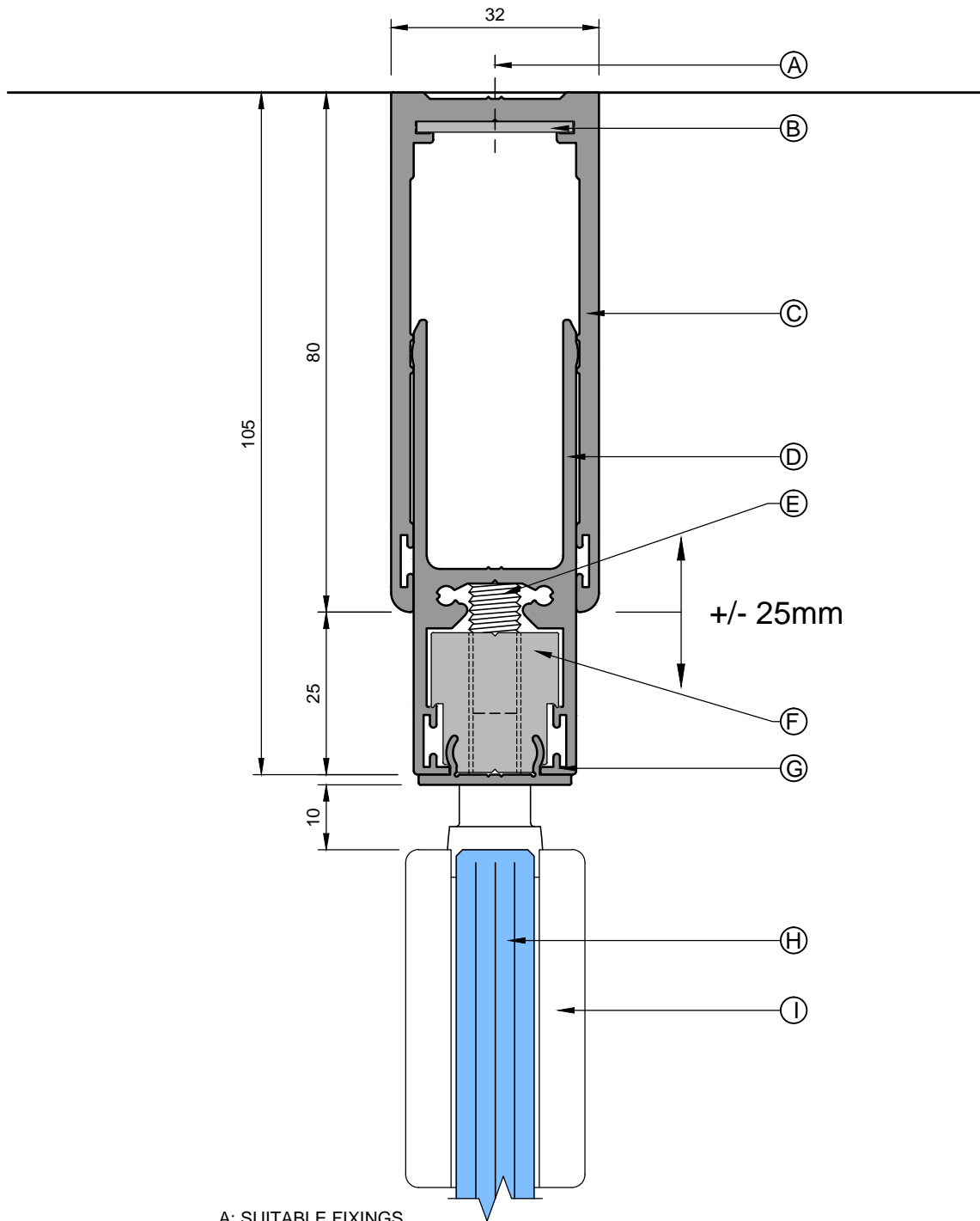
SYSTEM 8000

SINGLE GLAZED
 50mm FRAMELESS DOOR LEAF

SCALE @ A4
 1:1
 DRG NO
 PS/8100/4003
 ISSUED
 INFORMATION

DATE
 01/03/2012

DRAWN BY
 TC
 REV
 00
 CHECKED
 KYE



- A: SUITABLE FIXINGS
- B: 50 x 24mm SPLICE PLATE (STRAIGHT, 90° AND 135° AVAILABLE)
- C: FG8105 SINGLE GLAZED DEFLECTION HEAD OUTER CHANNEL
- D: FG8106 SINGLE GLAZED DEFLECTION HEAD INNER CHANNEL
- E: 8 x 20mm GRUB SCREW
- F: 119994 COMPLETE PIVOT BLOCK PACK
- G: FG8114 GLAZING CHANNEL INFILL
- H: 10/12mm GLASS DOOR LEAF
- I: CENTRAL PIVOT PATCH FITTING

NON FIRE RATED
SEE FIRE RATED SERIES
OF DRAWINGS



SAS International
31 Suttons Business Park,
London Road, Reading,
Berkshire, RG6 1AZ
Tel: 0118 929 0900
Fax: 0118 929 0908
Technical Helpline:
0118 929 0999
www.sasint.co.uk

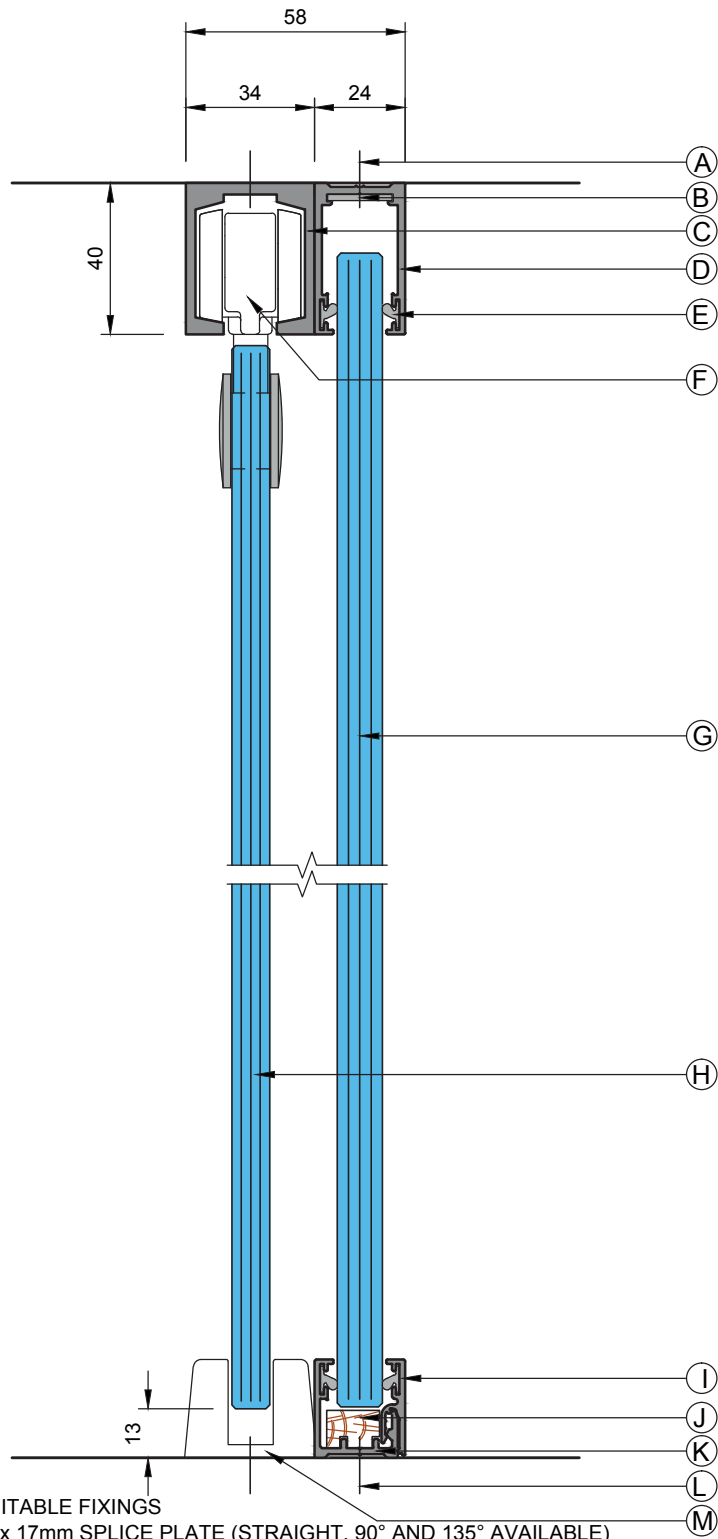
SYSTEM 8000

SINGLE GLAZED
DEFLECTION FRAMELESS DOOR LEAF

SCALE @ A4
1:1
DRG NO
PS/8100/4004
ISSUED
INFORMATION

DATE
01/03/2012

DRAWN BY
TC
REV
01
CHECKED
KYE



- A: SUITABLE FIXINGS
 B: 50 x 17mm SPLICE PLATE (STRAIGHT, 90° AND 135° AVAILABLE)
 C: ECP2 ECLIPSE S.G HEAD TRACK
 D: FG8102 40mm HEAD TRACK
 E: 112217 Q-LON SEAL
 F: EC101 ECLIPSE S.G DOOR TROLLY
 G: 10/12mm GLASS (NOMINAL GLASS THICKNESS NOTED)
 H: ECLIPSE S.G DOOR LEAF
 I: FG8001 GLAZING BEAD
 J: 111629 14 x 10mm GLAZING PACKER
 K: FG8109 SINGLE GLAZING TRACK
 L: SUITABLE FIXINGS
 M: EC102 ECLIPSE S.G FLOOR GUIDE

NON FIRE RATED
 SEE FIRE RATED SERIES
 OF DRAWINGS



SAS International
 31 Suttons Business Park,
 London Road, Reading,
 Berkshire, RG6 1AZ
 Tel: 0118 929 0900
 Fax: 0118 929 0908
 Technical Helpline:
 0118 929 0998
 www.sasint.co.uk

SYSTEM 8000

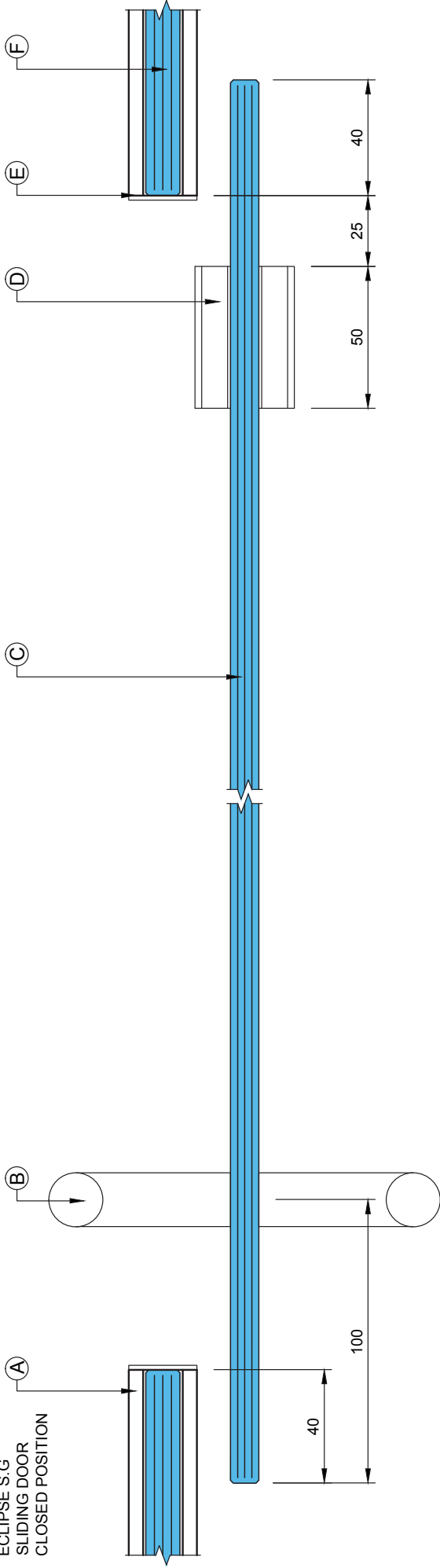
SINGLE GLAZED
 FULL HEIGHT ECLIPSE S.G

SCALE @ A4
 1:2
 DRG NO
 PS/8100/4100
 ISSUED
 INFORMATION

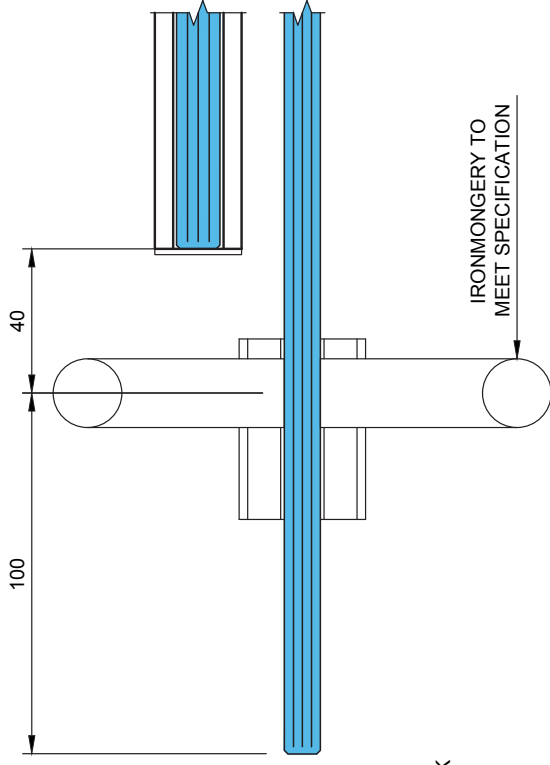
DATE
 01/03/2012

DRAWN BY
 TC
 REV
 00
 CHECKED
 KYE

ECLIPSE S.G
SLIDING DOOR
CLOSED POSITION



ECLIPSE S.G
SLIDING DOOR
OPEN POSITION



- A: FG8109 AND FG8001 FLOOR TRACK
- B: PULL HANDLES
- C: SLIDING GLASS DOOR LEAF
- D: EC102 FLOOR GUIDE
- E: FG8009 STEEL END CAP
- F: 10/12mm GLASS (NOMINAL GLASS THICKNESS NOTED)

NON FIRE RATED
SEE FIRE RATED SERIES
OF DRAWINGS



SAS International
Sales & Marketing
London Road, Reading,
Berkshire RG9 1JZ
Tel: 0118 923 0938
Fax: 0118 923 0938
www.sasint.com
© 2010 SAS International

SAS International claims proprietary rights in the information disclosed hereon. This drawing is furnished in confidence on the express understanding that neither it nor any reproduction thereof will be disclosed to others or used for the purpose of manufacture or sale of any article or part made in accordance with the information contained hereon without the prior written consent of SAS International. It should be understood that any article or part either made in accordance with the attached drawing or copied from an article or part made in accordance with said drawing, shall be deemed to be an infringement of the copyright in said drawing and therefore actionable by law.
© 2010 SAS International

SYSTEM 8000
SINGLE GLAZED
ECLIPSE S.G SECTION VIEW

SCALE @ A4
1:2
DRG NO
PS/8100/4101
ISSUED INFORMATION

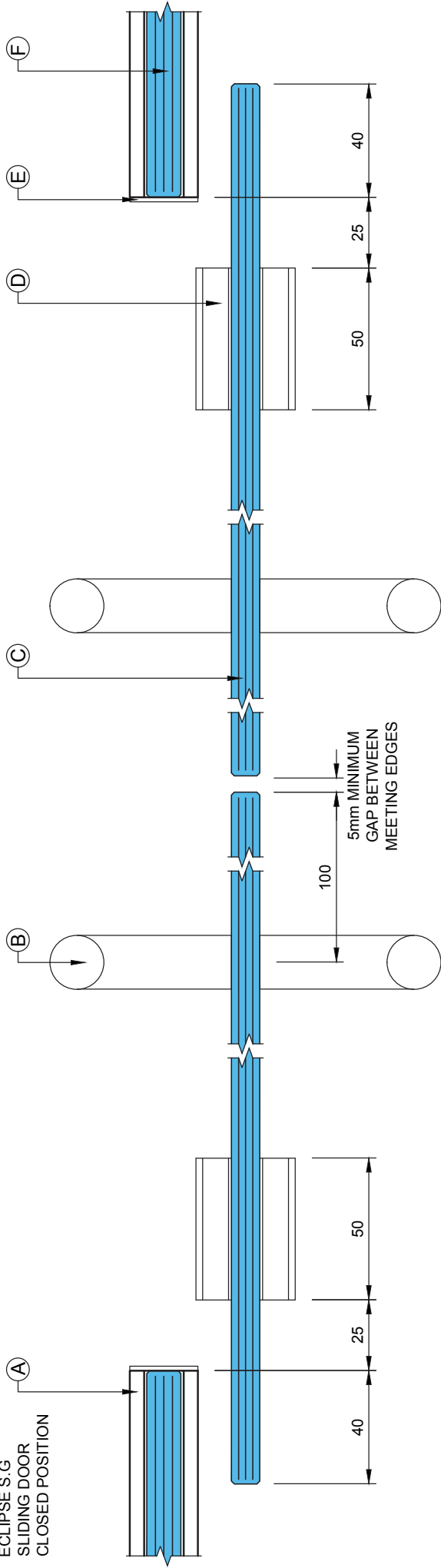
DATE
01/03/2012

DRAWN BY
TC

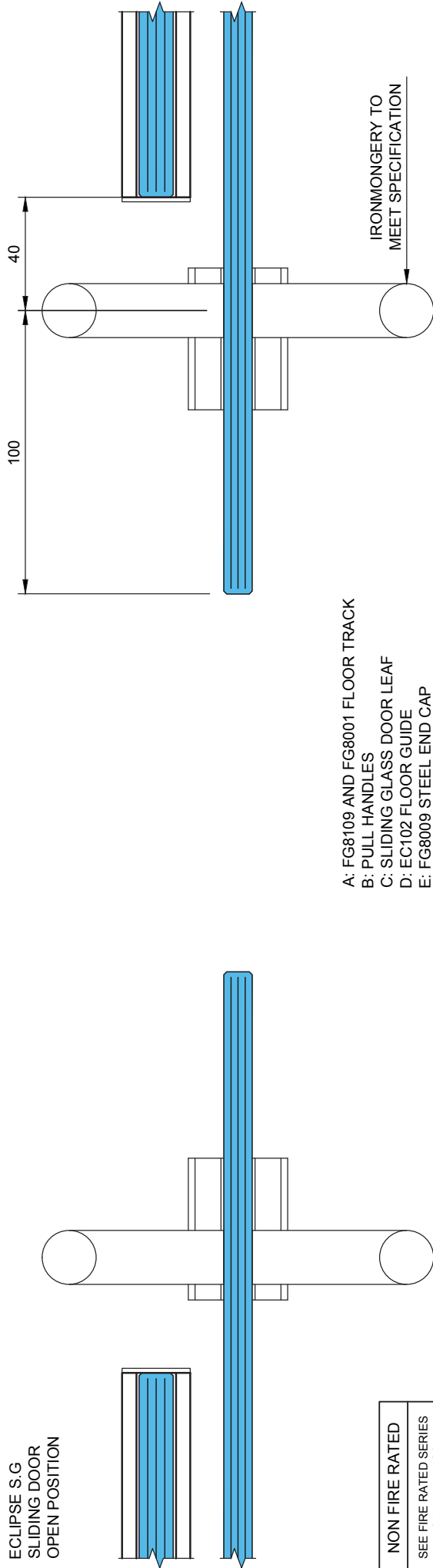
REV
00

CHECKED
KYE

ECLIPSE S.G
SLIDING DOOR
CLOSED POSITION



ECLIPSE S.G
SLIDING DOOR
OPEN POSITION



NON FIRE RATED
SEE FIRE RATED SERIES
OF DRAWINGS

- A: FG8109 AND FG8001 FLOOR TRACK
- B: PULL HANDLES
- C: SLIDING GLASS DOOR LEAF
- D: EC102 FLOOR GUIDE
- E: FG8009 STEEL END CAP
- F: 10/12mm GLASS (NOMINAL GLASS THICKNESS NOTED)



SAS International
1000, The Quadrant,
London Road, Reading,
Berkshire, RG6 1AZ
United Kingdom
Tel: 0118 923 9988
Fax: 0118 923 9908
e-mail: sales@sasint.com
www.sasint.co.uk

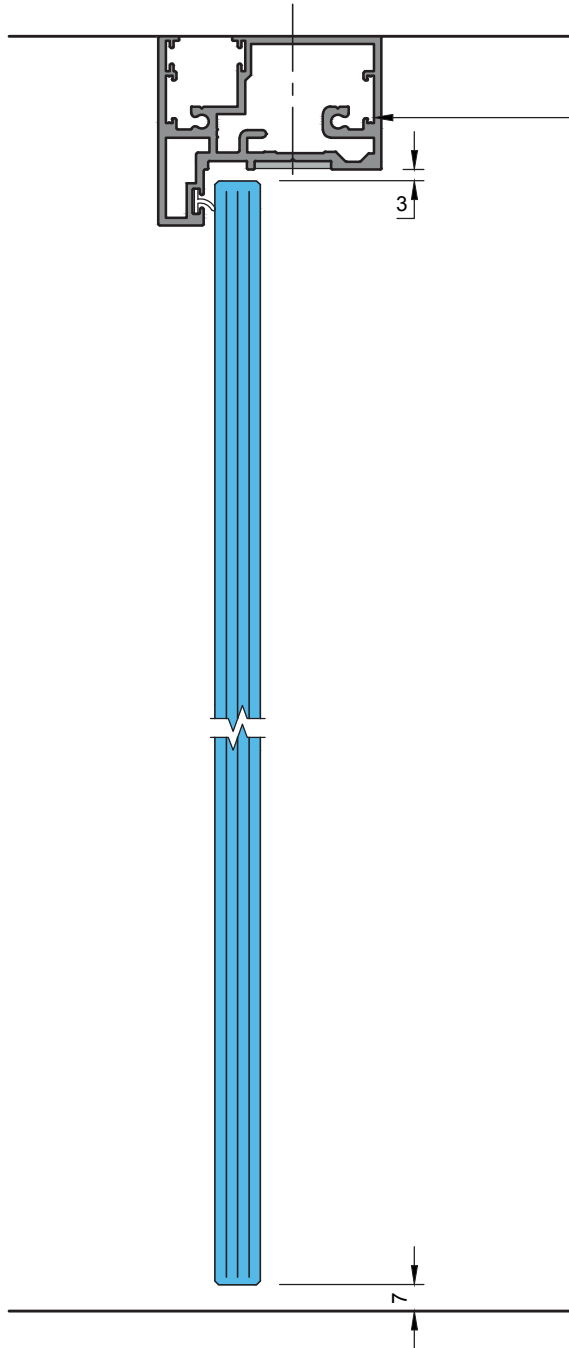
SAS International claims proprietary rights in the information disclosed herein. This drawing is furnished in confidence on the express understanding that neither it nor any reproduction thereof will be disclosed to others or used for the purpose of manufacturing similar products without the express written consent of SAS International. It should be understood that any article or part either made in accordance with the attached drawing or copied from an article or part made in accordance with said drawing, shall be deemed to be an infringement of the copyright in said drawing and therefore actionable by law.
© 2010 SAS International

SYSTEM 8000
SINGLE GLAZED
ECLIPSE S.G SECTION VIEW

SCALE @ A4
1:2
DRG NO
PS/8100/4102
ISSUED INFORMATION

DATE
01/03/2012

DRAWN BY
TC
REV
00
CHECKED
KYE



PLEASE REFER TO
SUBSEQUENT
DRAWINGS FOR
HINGED GLASS DOOR
HEAD OPTIONS

NON FIRE RATED
SEE FIRE RATED SERIES
OF DRAWINGS



SAS International
31 Suttons Business Park,
London Road, Reading,
Berkshire, RG6 1AZ
Tel: 0118 929 0900
Fax: 0118 929 0908
Technical Helpline:
0118 929 0998
www.sasint.co.uk

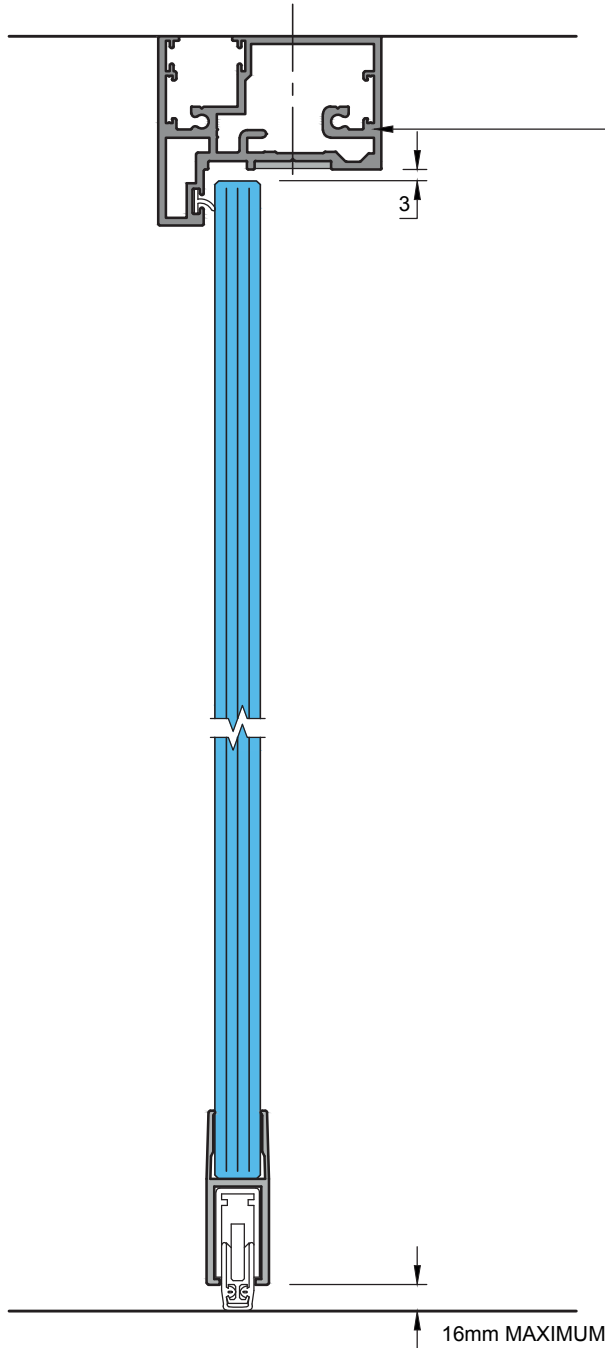
SYSTEM 8000

SINGLE GLAZED
HINGED GLASS DOOR LEAF

SCALE @ A4
1:2
DRG NO
PS/8100/4200
ISSUED
INFORMATION

DATE
01/03/2012

DRAWN BY
TC
REV
00
CHECKED
KYE



PLEASE REFER TO
SUBSEQUENT DRAWINGS
FOR HINGED GLASS
DOOR HEAD OPTIONS

NON FIRE RATED
SEE FIRE RATED SERIES
OF DRAWINGS

32dB



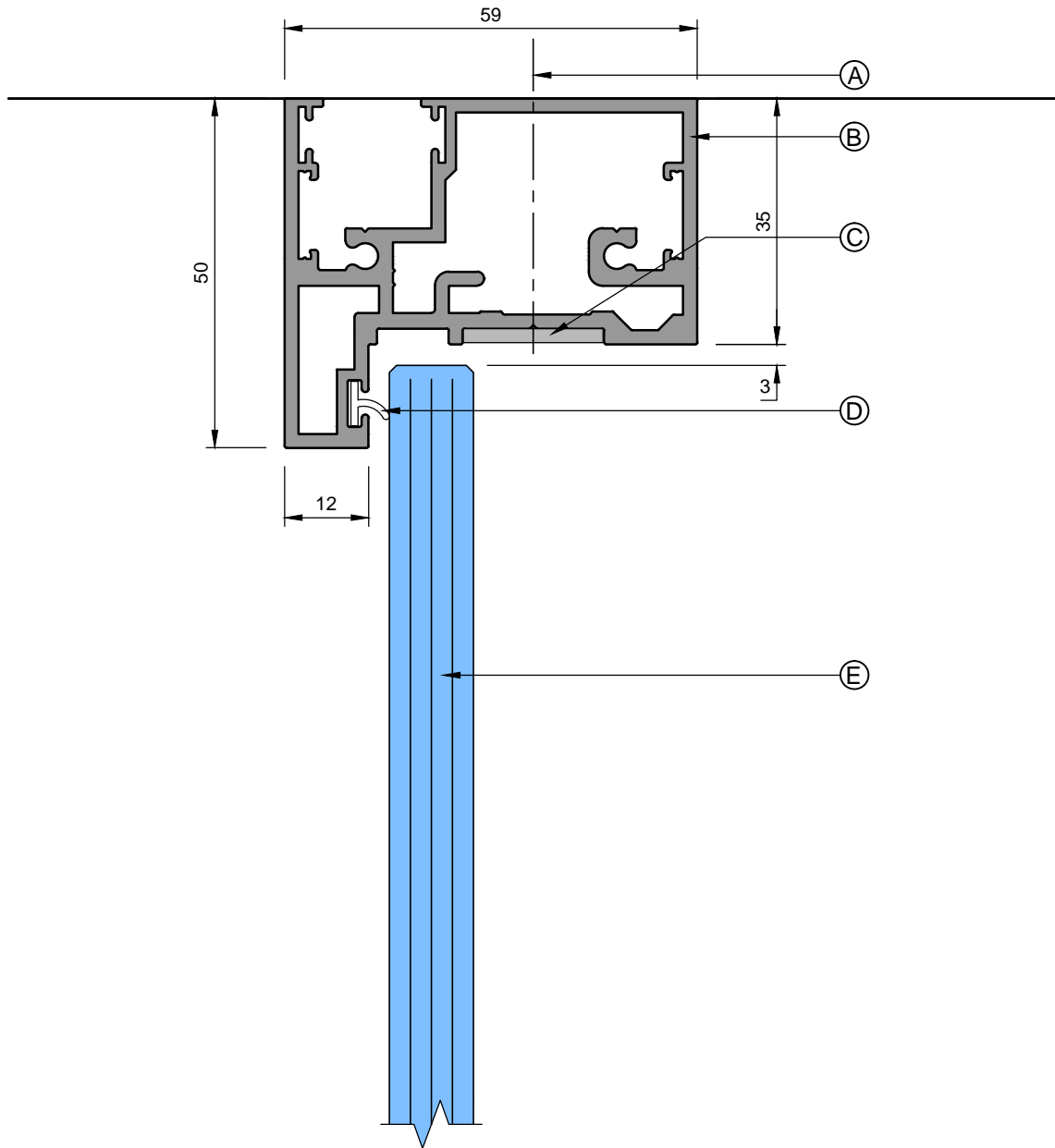
SAS International
31 Suttons Business Park,
London Road, Reading,
Berkshire, RG6 1AZ
Tel: 0118 929 0900
Fax: 0118 929 0908
Technical Helpline:
0118 929 0998
www.sasint.co.uk

SYSTEM 8000
SINGLE GLAZED
HINGED GLASS DOOR LEAF (GDDS)

SCALE @ A4
1:2
DRG NO
PS/8100/4201
ISSUED
INFORMATION

DATE
01/03/2012

DRAWN BY
TC
REV
00
CHECKED
KYE



NON FIRE RATED
SEE FIRE RATED SERIES
OF DRAWINGS

- A: SUITABLE FIXINGS
- B: FG8116 SINGLE GLAZED SLIMLINE DOOR FRAME
- C: PIS20X2 OPTIONAL COVER STRIP
- D: 32037 FLIPPER SEAL
- E: 10/12mm GLASS DOOR LEAF



SAS International
31 Suttons Business Park,
London Road, Reading,
Berkshire, RG6 1AZ
Tel: 0118 929 0900
Fax: 0118 929 0908
Technical Helpline:
0118 929 0998
www.sasint.co.uk

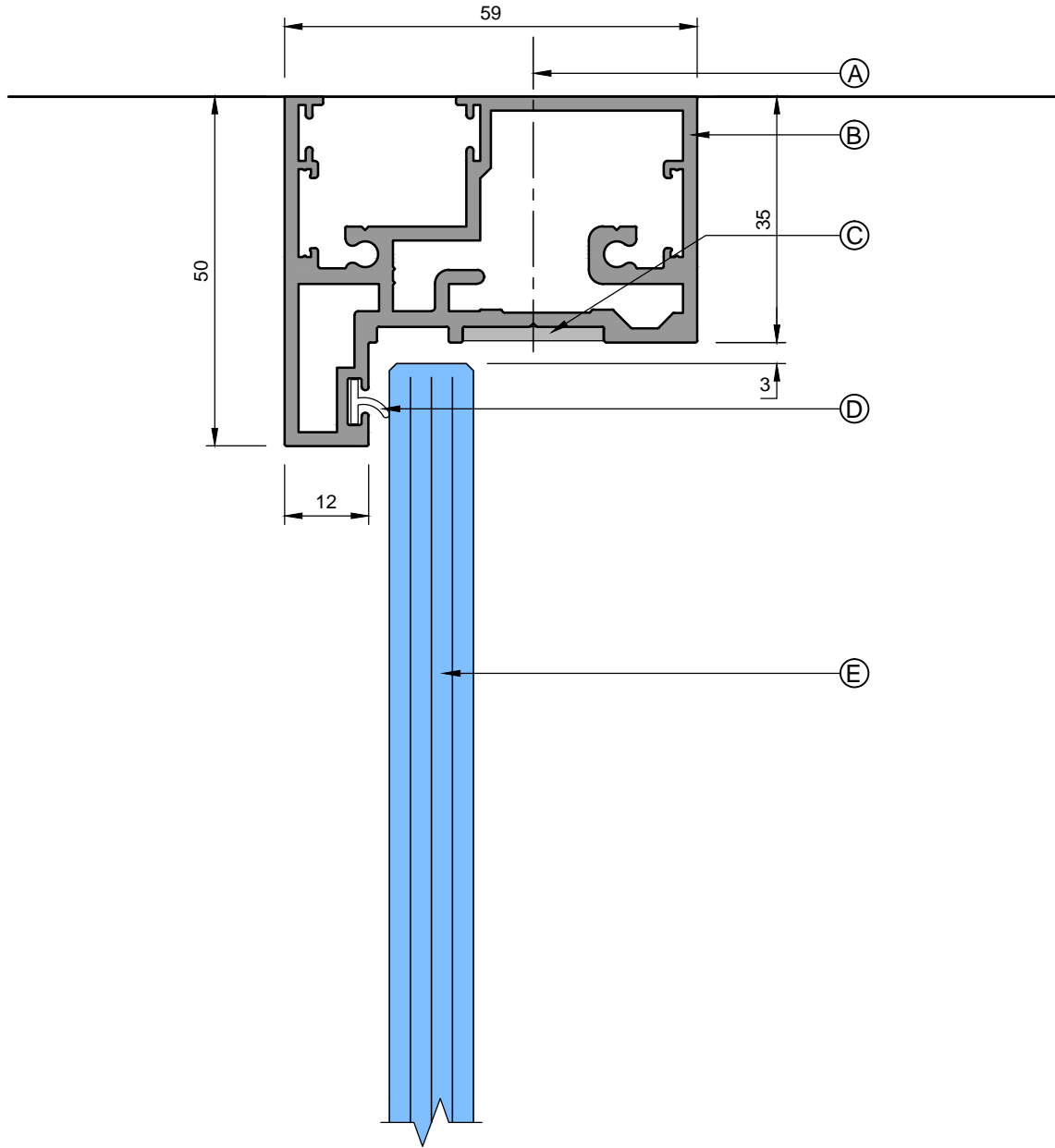
SYSTEM 8000

SINGLE GLAZED
FG8116 DOORFRAME HEAD DETAIL

SCALE @ A4
1:1
DRG NO
PS/8100/4202
ISSUED
INFORMATION

DATE
01/03/2012

DRAWN BY
TC
REV
01
CHECKED
KYE



NON FIRE RATED
SEE FIRE RATED SERIES
OF DRAWINGS

- A: SUITABLE FIXINGS
- B: FG8117 SINGLE GLAZED SLIMLINE DOOR FRAME
- C: PIS20X2 OPTIONAL COVER STRIP
- D: 32037 FLIPPER SEAL
- E: 10/12mm GLASS DOOR LEAF



SAS International
31 Suttons Business Park,
London Road, Reading,
Berkshire, RG6 1AZ
Tel: 0118 929 0900
Fax: 0118 929 0908
Technical Helpline:
0118 929 0998
www.sasint.co.uk

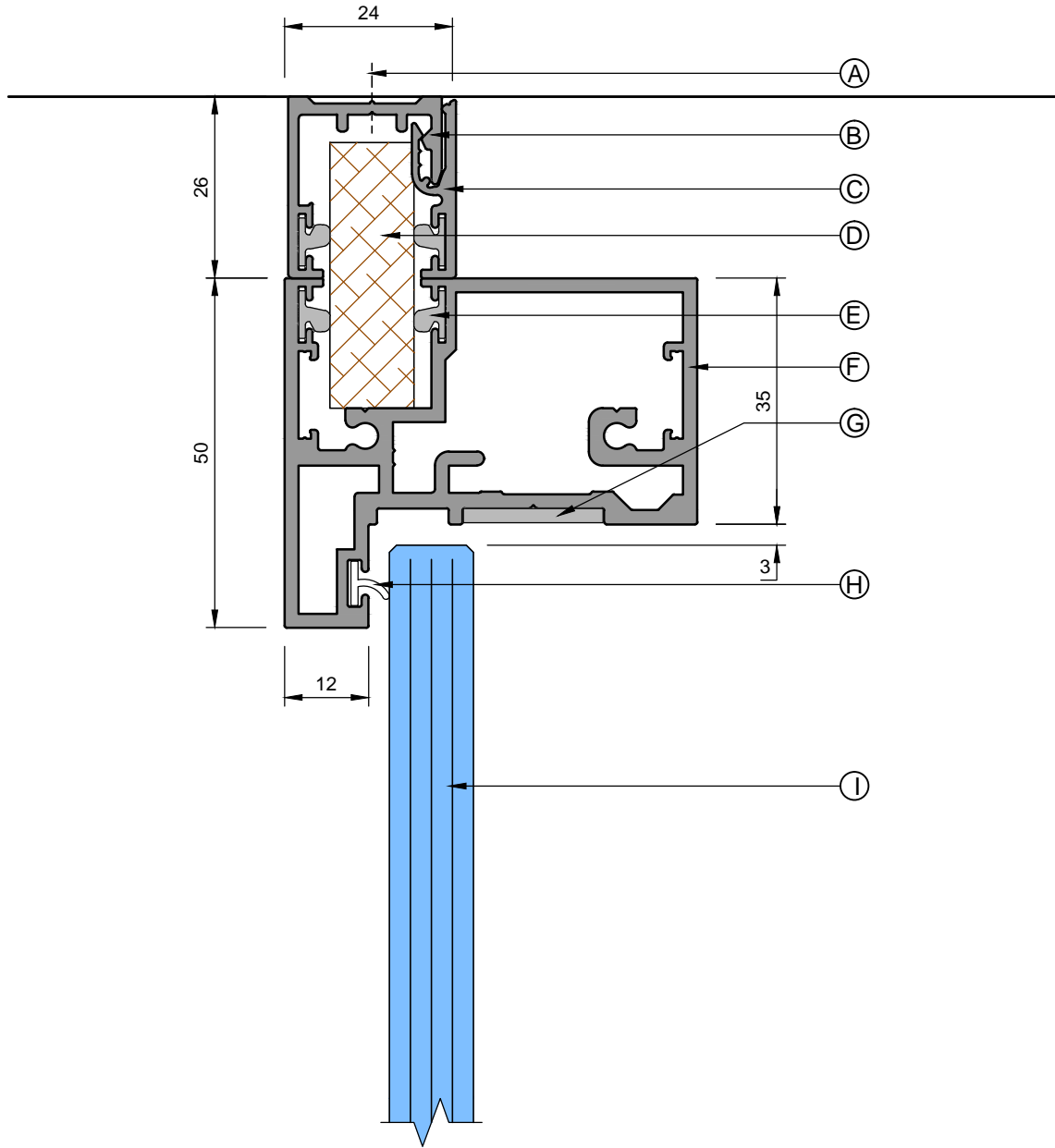
SYSTEM 8000

SINGLE GLAZED
FG8117 DOORFRAME HEAD DETAIL

SCALE @ A4
1:1
DRG NO
PS/8100/4203
ISSUED
INFORMATION

DATE
01/03/2012

DRAWN BY
TC
REV
01
CHECKED
KYE



- A: SUITABLE FIXINGS
- B: FG8109 SINGLE GLAZING TRACK
- C: FG8001 GLAZING BEAD
- D: FG8007 38 x 12mm MDF HEAD PACKER
- E: 112217 Q-LON SEAL
- F: FG8116 SINGLE GLAZED SLIMLINE DOOR FRAME
- G: PIS20X2 OPTIONAL COVER STRIP
- H: 32037 FLIPPER SEAL
- I: 10/12mm GLASS DOOR LEAF

NON FIRE RATED
SEE FIRE RATED SERIES
OF DRAWINGS



SAS International
31 Suttons Business Park,
London Road, Reading,
Berkshire, RG6 1AZ
Tel: 0118 929 0900
Fax: 0118 929 0908
Technical Helpline:
0118 929 0998
www.sasint.co.uk

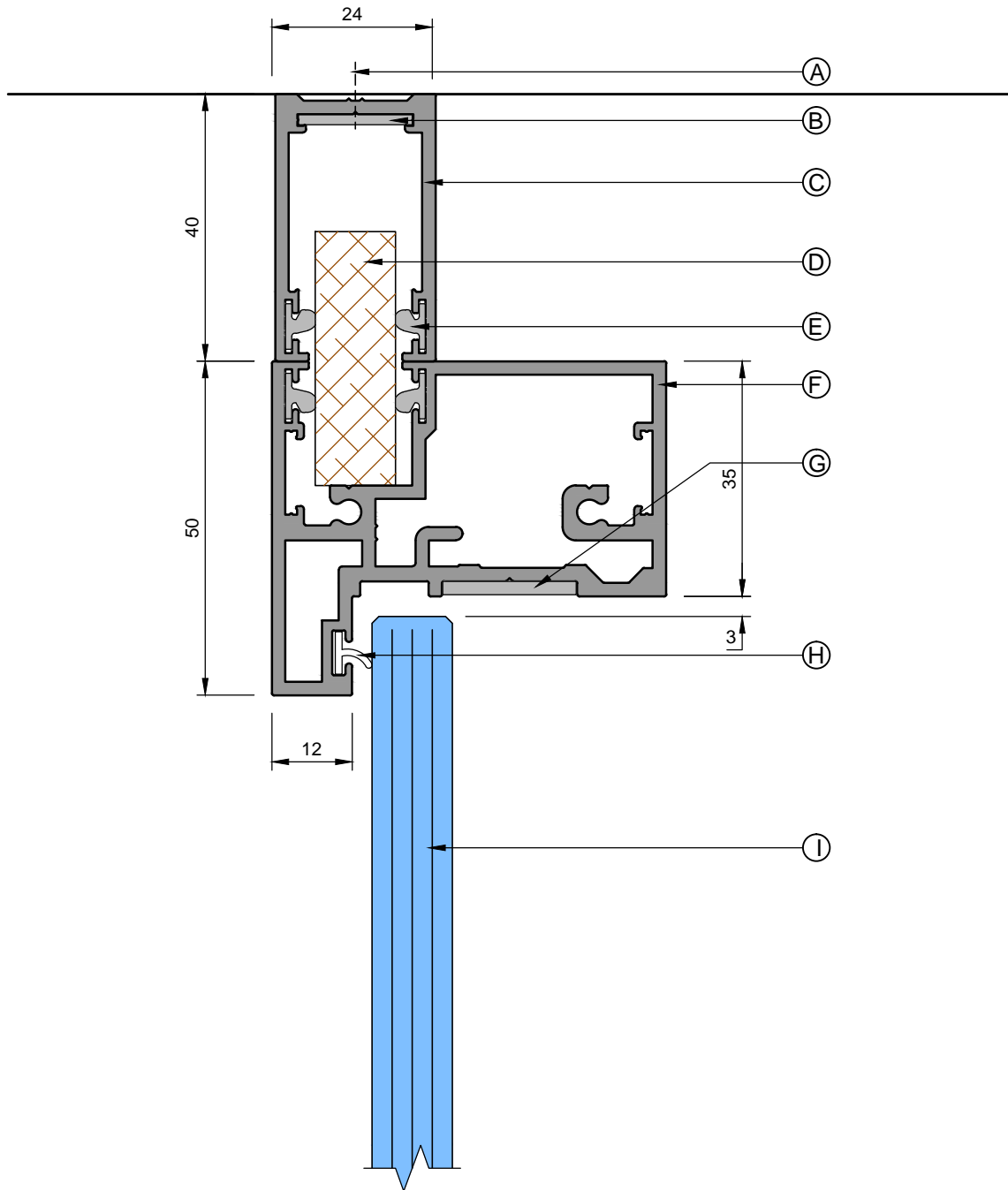
SYSTEM 8000

SINGLE GLAZED
FG8116 TWO PART HEAD DETAIL

SCALE @ A4
1:1
DRG NO
PS/8100/4204
ISSUED
INFORMATION

DATE
01/03/2012

DRAWN BY
TC
REV
01
CHECKED
KYE



- A: SUITABLE FIXINGS
- B: 50 x 17mm SPLICE PLATE (STRAIGHT, 90° AND 135° AVAILABLE)
- C: FG8102 40mm HEAD TRACK
- D: FG8007 38 x 12mm MDF HEAD PACKER
- E: 112217 Q-LON SEAL
- F: FG8116 SINGLE GLAZED SLIMLINE DOOR FRAME
- G: PIS20X2 OPTIONAL COVER STRIP
- H: 32037 FLIPPER SEAL
- I: 10/12mm GLASS DOOR LEAF

NON FIRE RATED
SEE FIRE RATED SERIES
OF DRAWINGS



SAS International
31 Suttons Business Park,
London Road, Reading,
Berkshire, RG6 1AZ
Tel: 0118 929 0900
Fax: 0118 929 0908
Technical Helpline:
0118 929 0998
www.sasint.co.uk

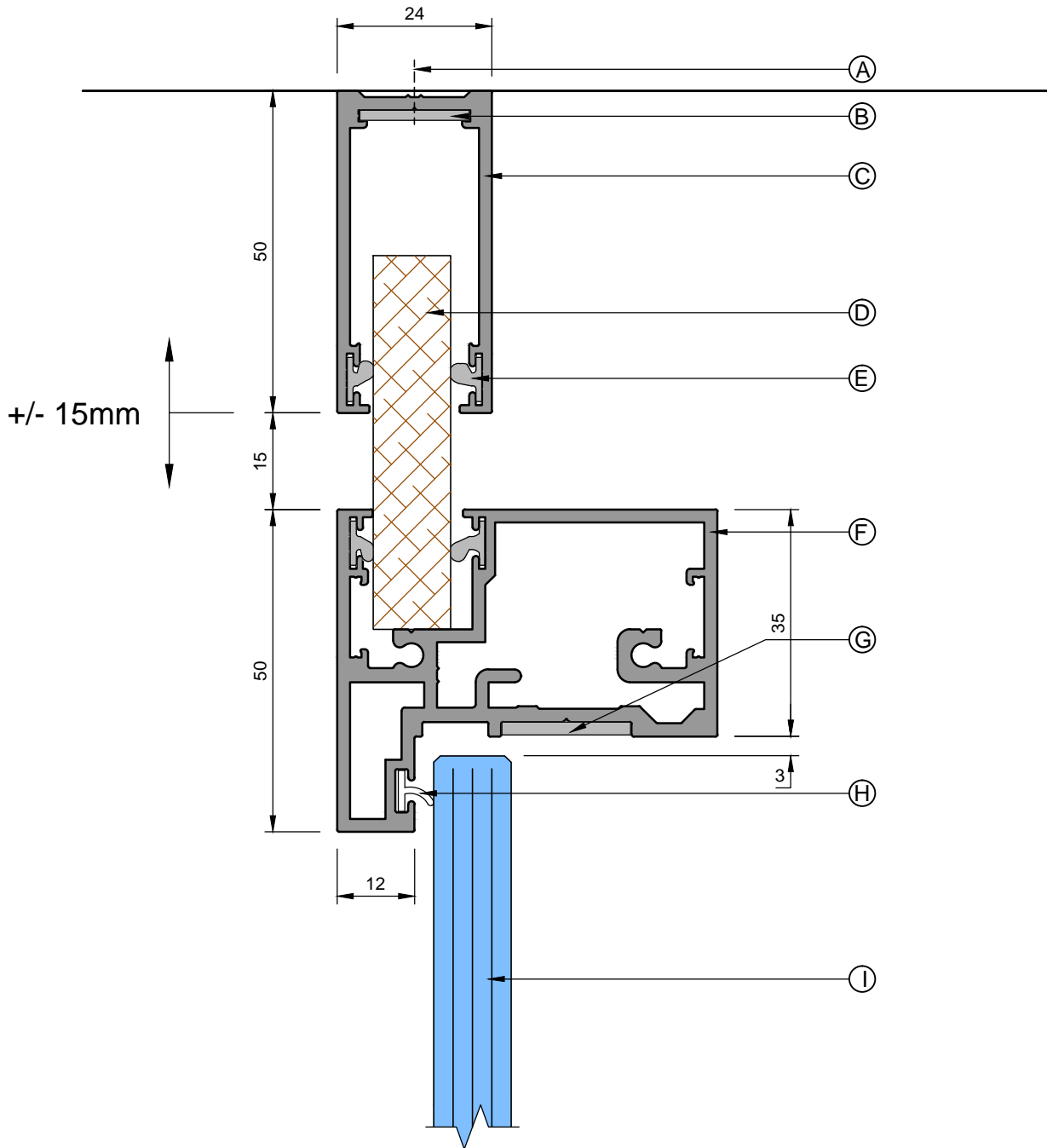
SYSTEM 8000

SINGLE GLAZED
FG8116 40mm HEAD DETAIL

SCALE @ A4
1:1
DRG NO
PS/8100/4205
ISSUED
INFORMATION

DATE
01/03/2012

DRAWN BY
TC
REV
01
CHECKED
KYE



- A: SUITABLE FIXINGS
- B: 50 x 17mm SPLICE PLATE (STRAIGHT, 90° AND 135° AVAILABLE)
- C: FG8103 50mm HEAD TRACK
- D: FG8008 58 x 12mm MDF HEAD PACKER
- E: 112217 Q-LON SEAL
- F: FG8116 SINGLE GLAZED SLIMLINE DOOR FRAME
- G: PIS20X2 OPTIONAL COVER STRIP
- H: 32037 FLIPPER SEAL
- I: 10/12mm GLASS DOOR LEAF

NON FIRE RATED
SEE FIRE RATED SERIES
OF DRAWINGS



SAS International
31 Suttons Business Park,
London Road, Reading,
Berkshire, RG6 1AZ
Tel: 0118 929 0900
Fax: 0118 929 0908
Technical Helpline:
0118 929 0998
www.sasint.co.uk

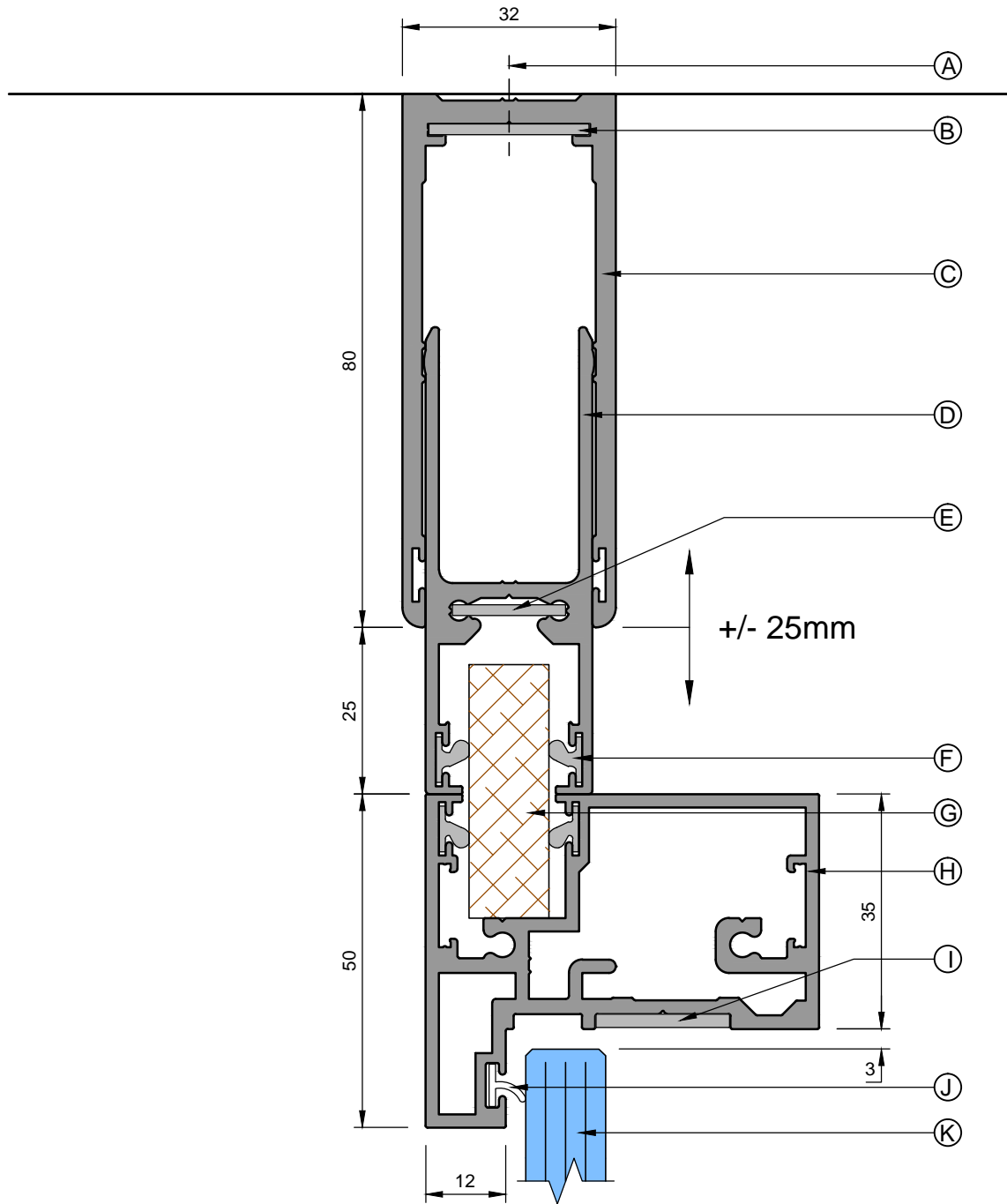
SYSTEM 8000

SINGLE GLAZED
FG8116 50mm HEAD DETAIL

SCALE @ A4
1:1
DRG NO
PS/8100/4206
ISSUED
INFORMATION

DATE
01/03/2012

DRAWN BY
TC
REV
01
CHECKED
KYE



- A: SUITABLE FIXINGS
- B: 50 x 24mm SPLICE PLATE (STRAIGHT, 90° AND 135° AVAILABLE)
- C: FG8105 SINGLE GLAZED DEFLECTION HEAD OUTER CHANNEL
- D: FG8106 SINGLE GLAZED DEFLECTION HEAD INNER CHANNEL
- E: 50 x 17mm SPLICE PLATE (STRAIGHT, 90° AND 135° AVAILABLE)
- F: 112217 Q-LON SEAL
- G: FG8007 38 x 12mm MDF HEAD PACKER
- H: FG8116 SINGLE GLAZED SLIMLINE DOORFRAME
- I: PIS20X2 OPTIONAL COVER STRIP
- J: 32037 FLIPPER SEAL
- K: 10/12mm GLASS DOOR

NON FIRE RATED
SEE FIRE RATED SERIES
OF DRAWINGS



SAS International
31 Suttons Business Park,
London Road, Reading,
Berkshire, RG6 1AZ
Tel: 0118 929 0900
Fax: 0118 929 0908
Technical Helpline:
0118 929 0998
www.sasint.co.uk

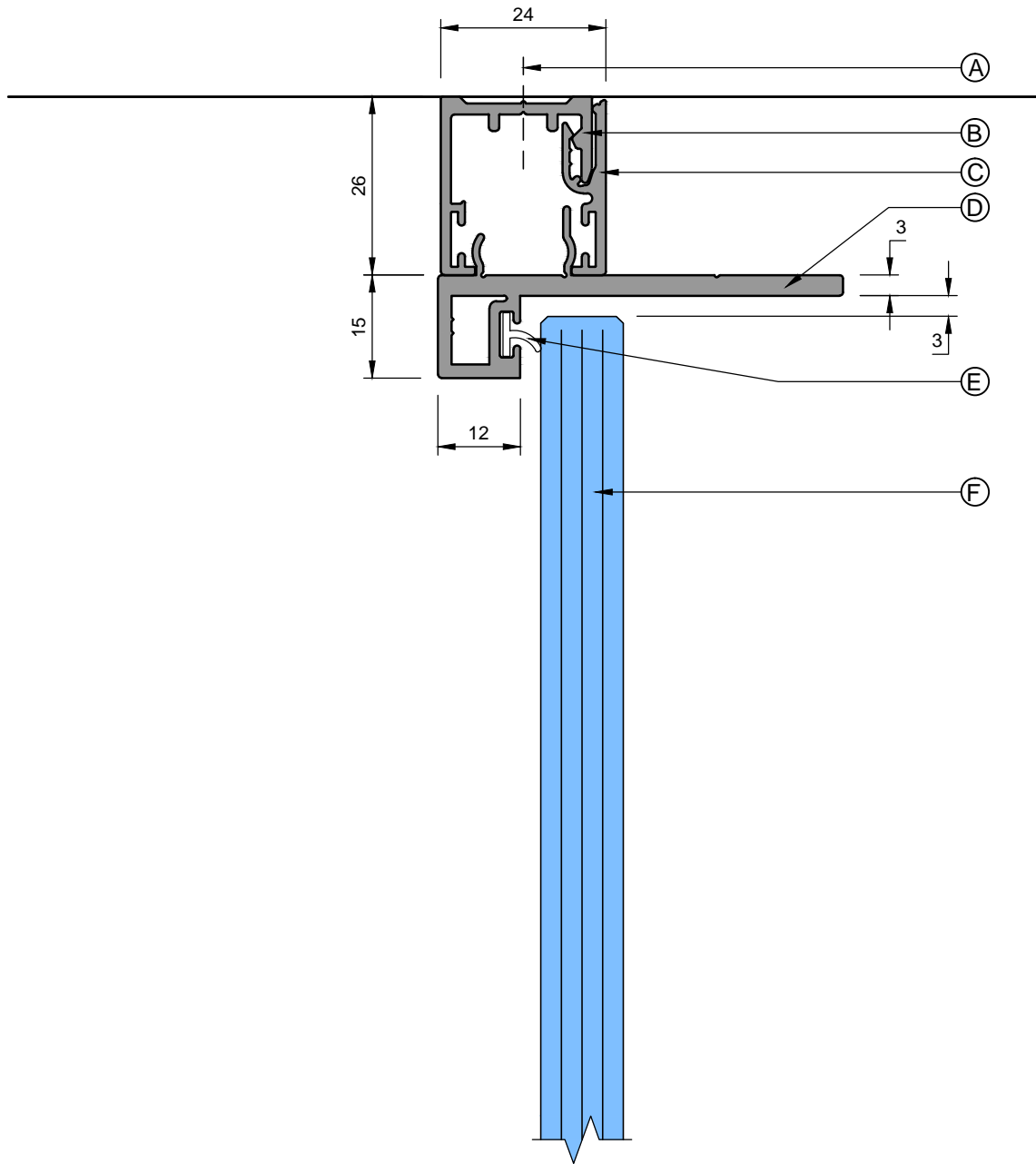
SYSTEM 8000

SINGLE GLAZED
FG8116 DEFLECTION HEAD DETAIL

SCALE @ A4
1:1
DRG NO
PS/8100/4207
ISSUED
INFORMATION

DATE
01/03/2012

DRAWN BY
TC
REV
01
CHECKED
KYE



NON FIRE RATED
SEE FIRE RATED SERIES
OF DRAWINGS

- A: SUITABLE FIXINGS
- B: FG8109 SINGLE GLAZING TRACK
- C: FG8001 GLAZING BEAD
- D: FG8002 CLIP IN DOOR STOP HEAD
- E: 32037 FLIPPER SEAL
- F: 10/12mm GLASS DOOR LEAF

NOTE:
FOR OFFSET PIVOT DETAILS
WITH THE REDUCED DOOR
STOP HEAD PLEASE CONTACT
THE TECHNICAL DEPARTMENT



SAS International
31 Suttons Business Park,
London Road, Reading,
Berkshire, RG6 1AZ
Tel: 0118 929 0900
Fax: 0118 929 0908
Technical Helpline:
0118 929 0998
www.sasint.co.uk

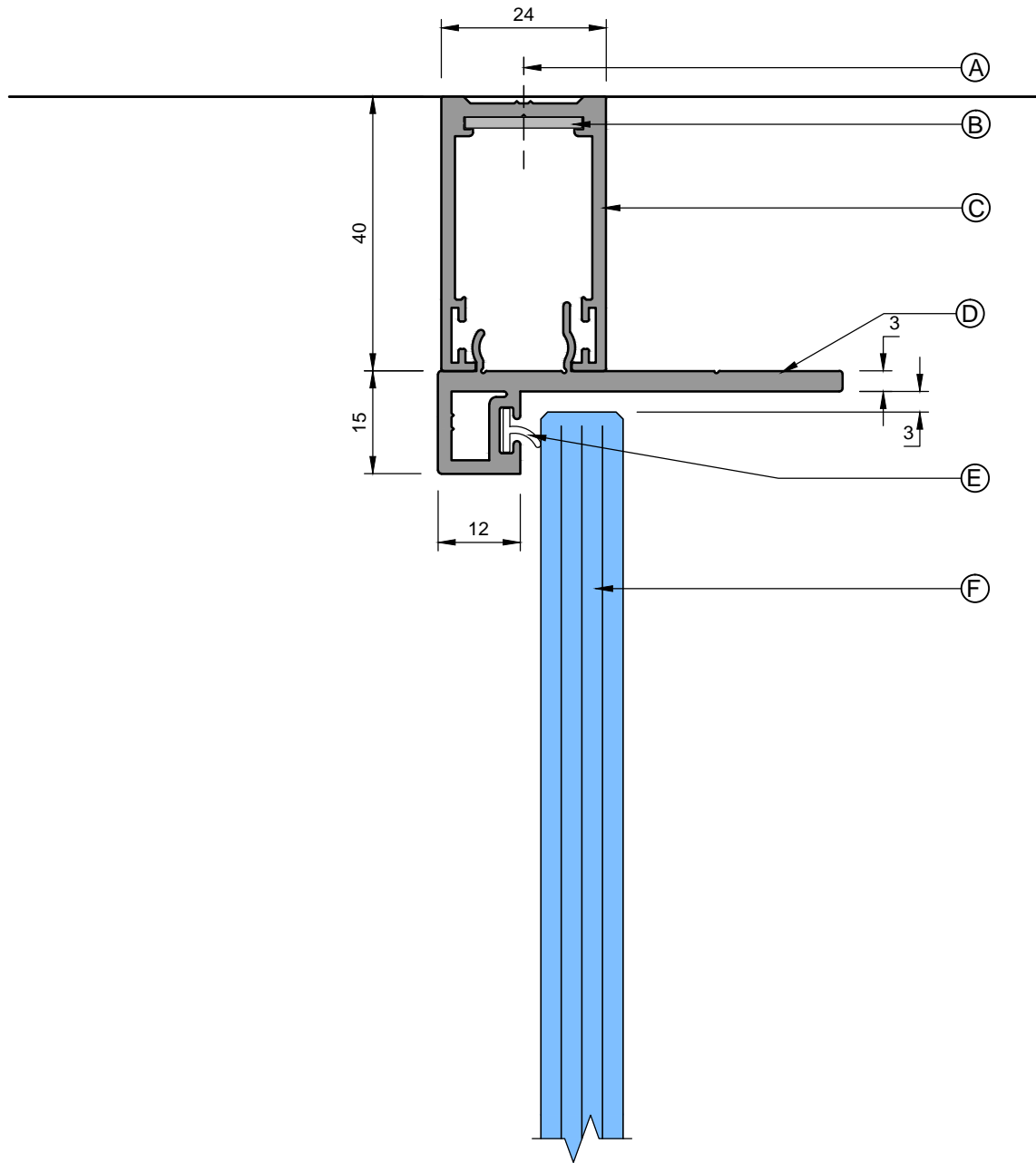
SYSTEM 8000

SINGLE GLAZED
REDUCED TWO PART HEAD DETAIL

SCALE @ A4
1:1
DRG NO
PS/8100/4208
ISSUED
INFORMATION

DATE
01/03/2012

DRAWN BY
TC
REV
01
CHECKED
KYE



NON FIRE RATED
SEE FIRE RATED SERIES
OF DRAWINGS

- A: SUITABLE FIXINGS
- B: 50 x 17mm SPLICE PLATE (STRAIGHT, 90° AND 135° AVAILABLE)
- C: FG8102 40mm HEAD TRACK
- D: FG8002 CLIP IN DOOR STOP HEAD
- E: 32037 FLIPPER SEAL
- F: 10/12mm GLASS DOOR LEAF

NOTE:
FOR OFFSET PIVOT DETAILS
WITH THE REDUCED DOOR
STOP HEAD PLEASE CONTACT
THE TECHNICAL DEPARTMENT



SAS International
31 Suttons Business Park,
London Road, Reading,
Berkshire, RG6 1AZ
Tel: 0118 929 0900
Fax: 0118 929 0908
Technical Helpline:
0118 929 0998
www.sasint.co.uk

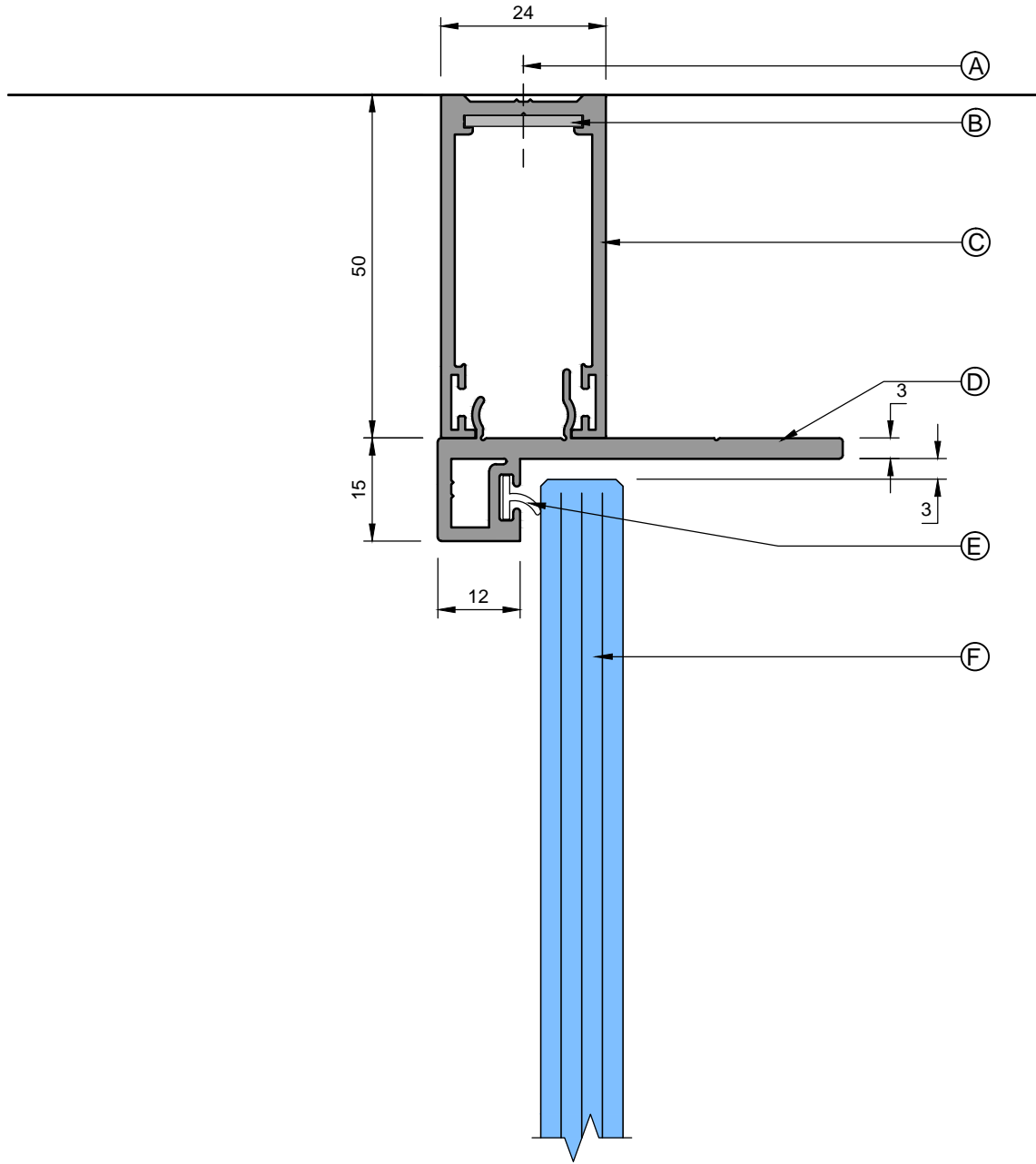
SYSTEM 8000

SINGLE GLAZED
REDUCED 40mm HEAD DETAIL

SCALE @ A4
1:1
DRG NO
PS/8100/4209
ISSUED
INFORMATION

DATE
01/03/2012

DRAWN BY
TC
REV
01
CHECKED
KYE



NON FIRE RATED

SEE FIRE RATED SERIES OF DRAWINGS

- A: SUITABLE FIXINGS
- B: 50 x 17mm SPLICE PLATE (STRAIGHT, 90° AND 135° AVAILABLE)
- C: FG8103 50mm HEAD TRACK
- D: FG8002 CLIP IN DOOR STOP HEAD
- E: 32037 FLIPPER SEAL
- F: 10/12mm GLASS DOOR LEAF

NOTE:
FOR OFFSET PIVOT DETAILS
WITH THE REDUCED DOOR
STOP HEAD PLEASE CONTACT
THE TECHNICAL DEPARTMENT



SAS International
31 Suttons Business Park,
London Road, Reading,
Berkshire, RG6 1AZ
Tel: 0118 929 0900
Fax: 0118 929 0908
Technical Helpline:
0118 929 0998
www.sasint.co.uk

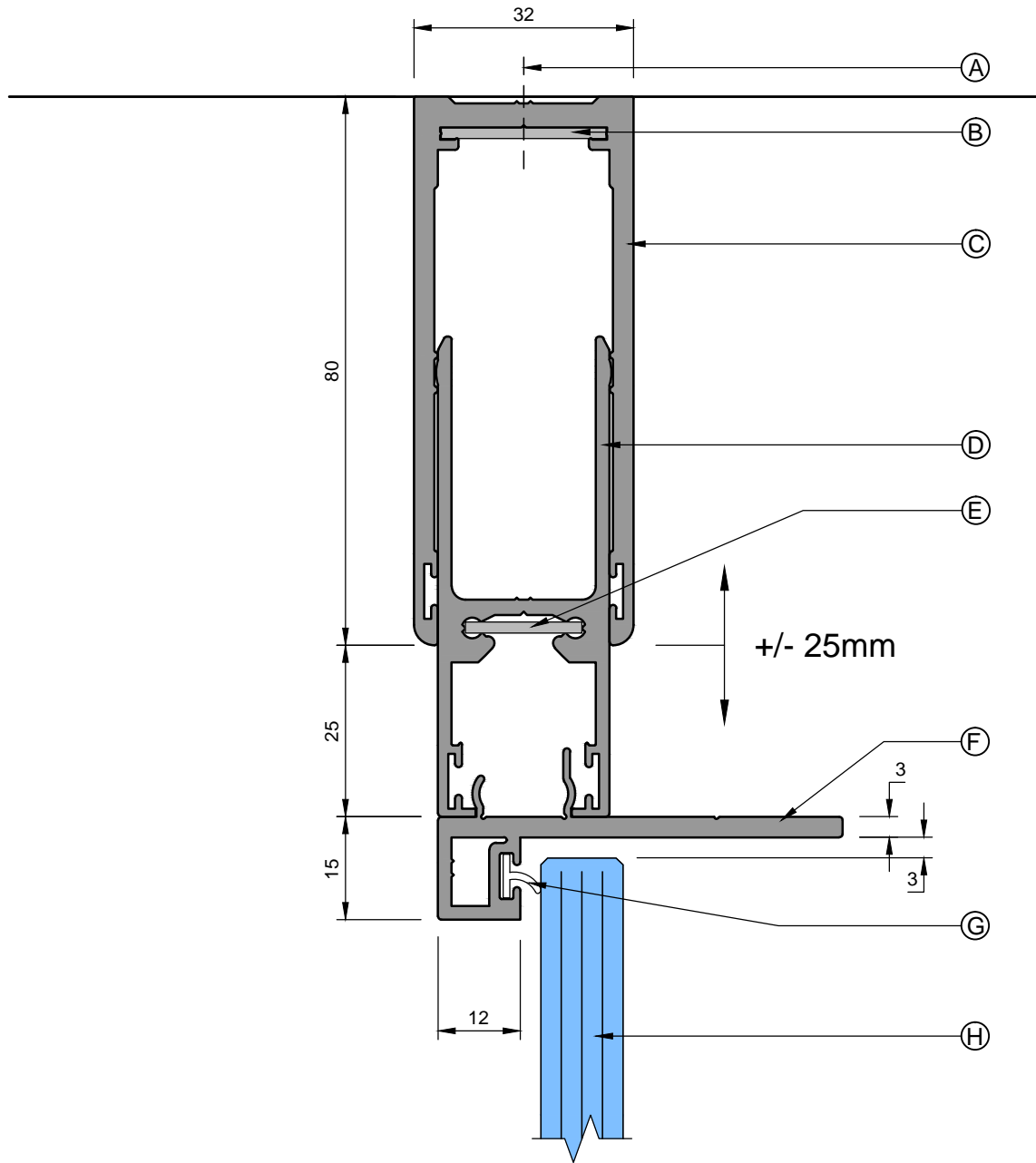
SYSTEM 8000

SINGLE GLAZED
REDUCED 50mm HEAD DETAIL

SCALE @ A4
1:1
DRG NO
PS/8100/4210
ISSUED
INFORMATION

DATE
01/03/2012

DRAWN BY
TC
REV
01
CHECKED
KYE



- A: SUITABLE FIXINGS
- B: 50 x 24mm SPLICE PLATE (STRAIGHT, 90° AND 135° AVAILABLE)
- C: FG8105 SINGLE GLAZED DEFLECTION HEAD OUTER CHANNEL
- D: FG8106 SINGLE GLAZED DEFLECTION HEAD INNER CHANNEL
- E: 50 x 17mm SPLICE PLATE (STRAIGHT, 90° AND 135° AVAILABLE)
- F: FG8002 CLIP IN DOOR STOP HEAD
- G: 32037 FLIPPER SEAL
- H: 10/12mm GLASS DOOR LEAF

NOTE:
FOR OFFSET PIVOT DETAILS
WITH THE REDUCED DOOR
STOP HEAD PLEASE CONTACT
THE TECHNICAL DEPARTMENT

NON FIRE RATED
SEE FIRE RATED SERIES
OF DRAWINGS



SAS International
31 Suttons Business Park,
London Road, Reading,
Berkshire, RG6 1AZ
Tel: 0118 929 0900
Fax: 0118 929 0908
Technical Helpline:
0118 929 0998
www.sasint.co.uk

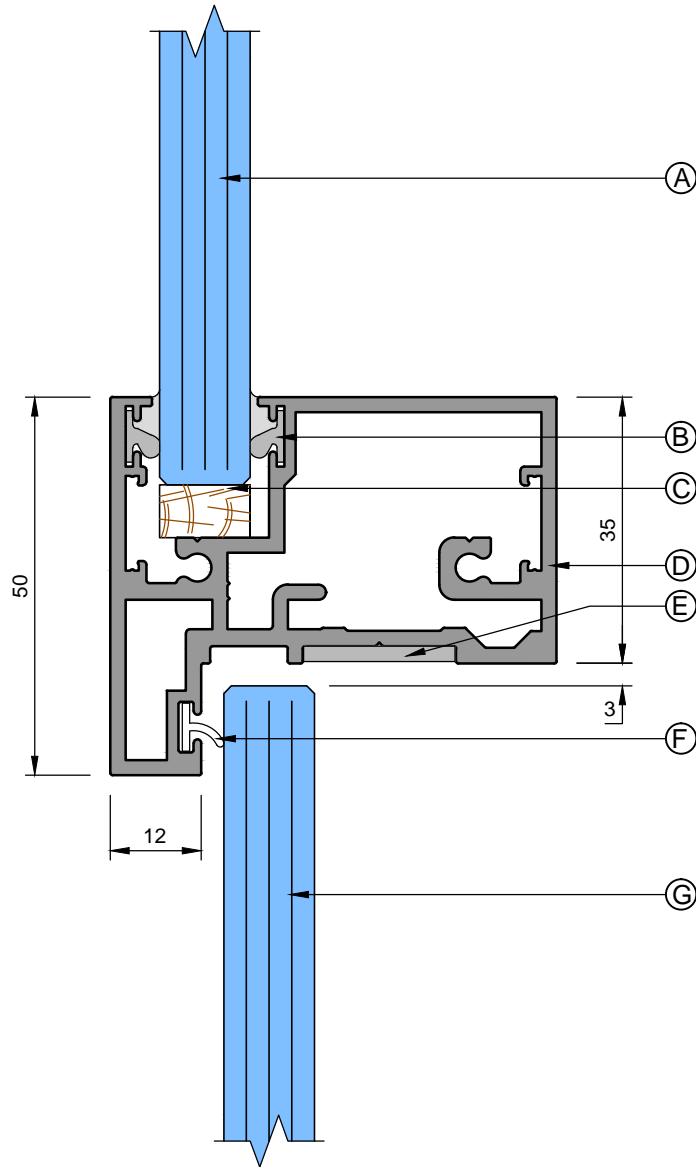
SYSTEM 8000

SINGLE GLAZED
REDUCED DEFLECTION HEAD DETAIL

SCALE @ A4
1:1
DRG NO
PS/8100/4211
ISSUED
INFORMATION

DATE
01/03/2012

DRAWN BY
TC
REV
01
CHECKED
KYE



- A: 10/12mm GLASS (NOMINAL GLASS THICKNESS NOTED)
- B: 112217 Q-LON SEAL
- C: 111637 TIMBER PACKER FOR GLAZING ABOVE DOOR
- D: FG8116 SINGLE GLAZED SLIMLINE DOOR FRAME
- E: PIS20X2 OPTIONAL COVER STRIP
- F: 32037 FLIPPER SEAL
- G: 10/12mm GLASS DOOR LEAF

NON FIRE RATED
SEE FIRE RATED SERIES
OF DRAWINGS



SAS International
31 Suttons Business Park,
London Road, Reading,
Berkshire, RG6 1AZ
Tel: 0118 929 0900
Fax: 0118 929 0908
Technical Helpline:
0118 929 0998
www.sasint.co.uk

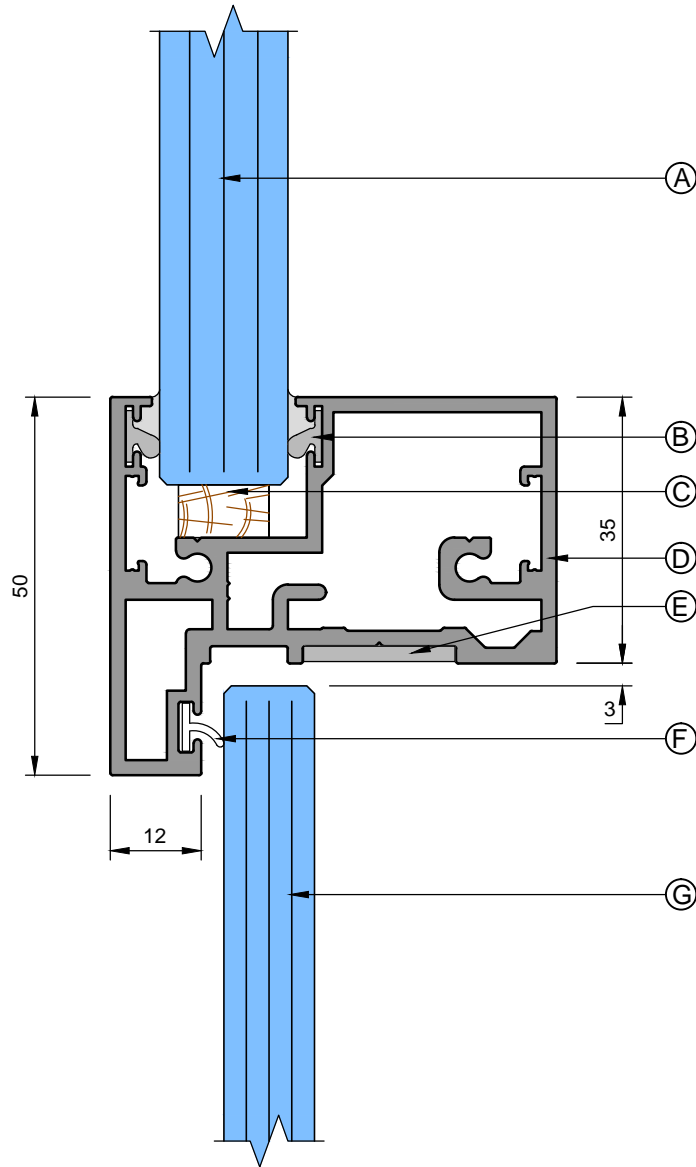
SYSTEM 8000

SINGLE GLAZED
FG8116 WITH GLASS ABOVE

SCALE @ A4
1:1
DRG NO
PS/8100/4212
ISSUED
INFORMATION

DATE
01/03/2012

DRAWN BY
TC
REV
01
CHECKED
KYE



- A: 15/17mm GLASS (NOMINAL GLASS THICKNESS NOTED)
- B: 112217 Q-LON SEAL
- C: 111637 TIMBER PACKER FOR GLAZING ABOVE DOOR
- D: FG8117 SINGLE GLAZED SLIMLINE DOOR FRAME
- E: PIS20X2 OPTIONAL COVER STRIP
- F: 32037 FLIPPER SEAL
- G: 10/12mm GLASS DOOR LEAF

NON FIRE RATED
SEE FIRE RATED SERIES
OF DRAWINGS



SAS International
31 Suttons Business Park,
London Road, Reading,
Berkshire, RG6 1AZ
Tel: 0118 929 0900
Fax: 0118 929 0908
Technical Helpline:
0118 929 0998
www.sasint.co.uk

SYSTEM 8000

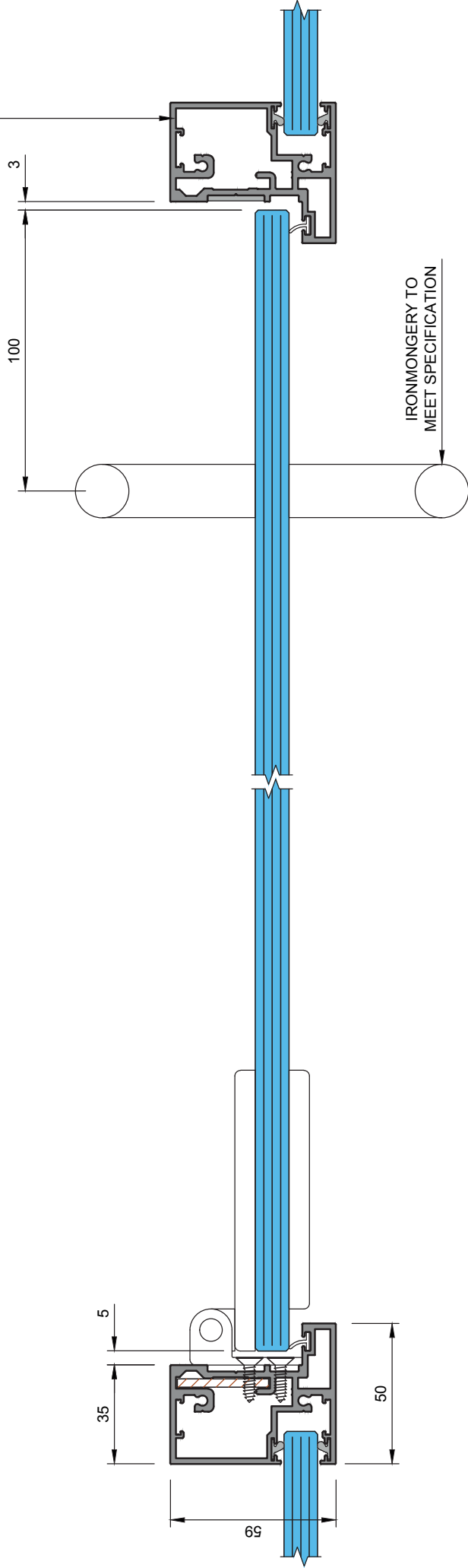
SINGLE GLAZED
FG8117 WITH GLASS ABOVE

SCALE @ A4
1:1
DRG NO
PS/8100/4213
ISSUED
INFORMATION

DATE
01/03/2012

DRAWN BY
TC
REV
01
CHECKED
KYE

PLEASE REFER TO
SUBSEQUENT DRAWINGS
FOR HINGED GLASS
DOOR JAMB OPTIONS



NON FIRE RATED
SEE FIRE RATED SERIES
OF DRAWINGS



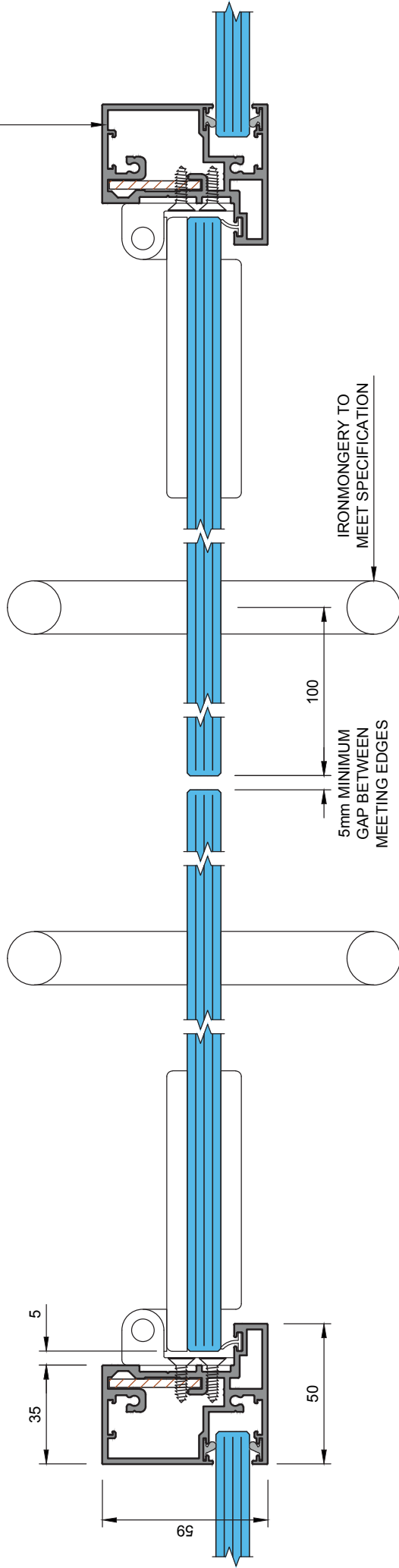
SAS International
1000 Westbury Road
London W12 0LW
Berksire, RG6 7AZ
UK
Tel: 0118 922 0908
Fax: 0118 922 0909
Technical Hotline:
0118 922 0908
www.sasint.co.uk

SAS International claims proprietary rights in the information disclosed herein. This drawing is furnished in confidence on the express understanding that neither it nor any reproduction thereof will be disclosed to others or used for the purpose of manufacture or sale of any product or service without the express written consent of SAS International. It should be understood that any article or part either made in accordance with the attached drawing or copied from an article or part made in accordance with said drawing, without the express written consent of SAS International, will be an infringement of the copyright subsisting in said drawing and therefore actionable by SAS International.
© 2010 SAS International

SYSTEM 8000
SINGLE GLAZED
FG8116 SECTION VIEW

SCALE @ A4 1:2
DRG NO PS/8100/4300
ISSUED INFORMATION
DATE 01/03/2012
DRAWN BY TC
REV 00
CHECKED KYE

PLEASE REFER TO
SUBSEQUENT DRAWINGS
FOR HINGED GLASS
DOOR JAMB OPTIONS



NON FIRE RATED
SEE FIRE RATED SERIES
OF DRAWINGS



SAS International
31 Suttons Business Park,
Berkshire, RG6 1AZ
UK
Tel: 0118 923 0900
Fax: 0118 923 0900
Technical Helpline:
0118 925 0998
www.sasint.co.uk

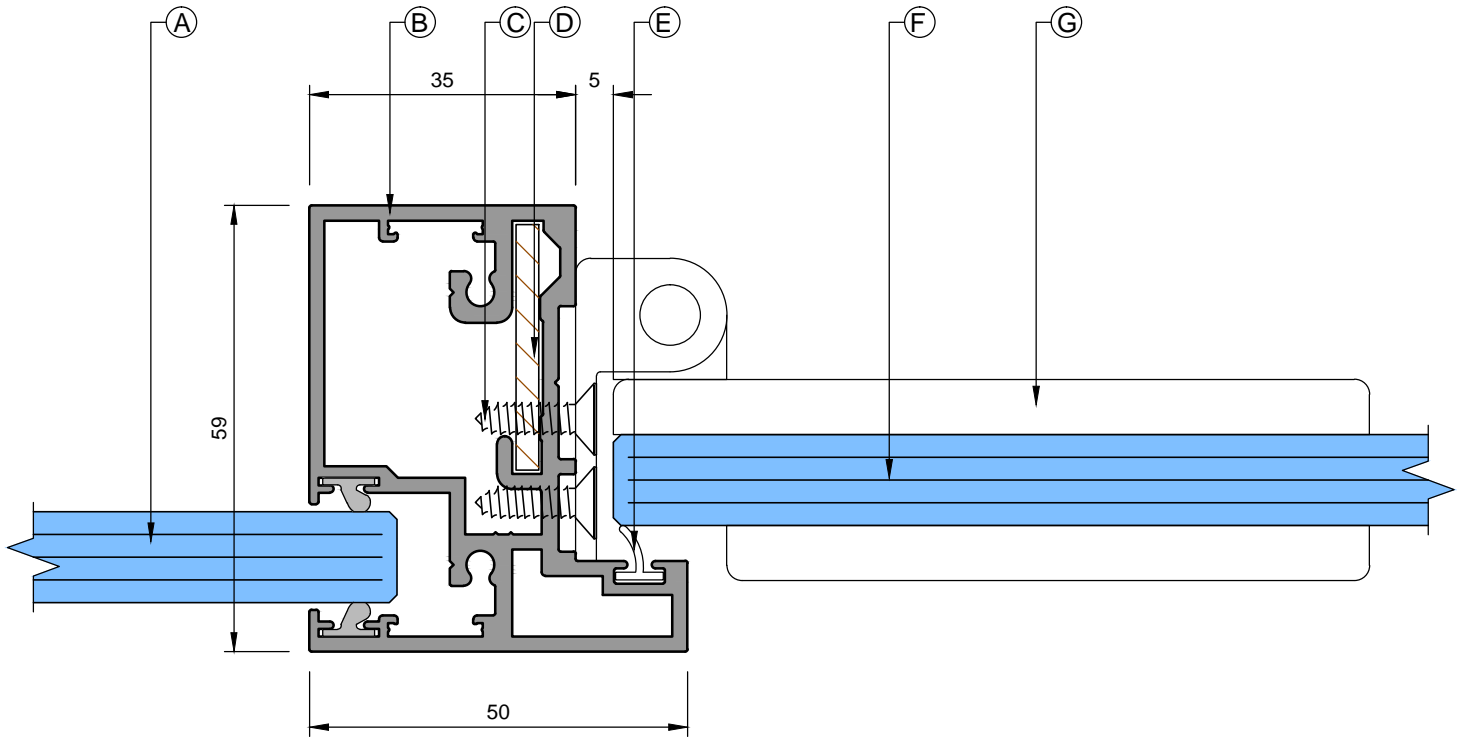
SAS International claims copyright rights in the information disclosed herein. This drawing is furnished in confidence on the express understanding that neither it nor any reproduction thereof will be disclosed to others or used for the purpose of manufacture or procurement of the article or part shown herein without the express consent in writing of SAS International. Any use of the information contained herein for any purpose other than that intended by the attached drawing or copied from an article or part made in accordance with said drawing, without the express permission in writing of SAS International, will be an infringement of the copyright in the information disclosed in said drawing and therefore actionable by SAS International.
© 2010 SAS International

SYSTEM 8000
SINGLE GLAZED
FG8116 SECTION VIEW

SCALE @ A4
1:2
DRG NO
PS/8100/4301
ISSUED INFORMATION

DATE
01/03/2012

DRAWN BY
TC
REV
00
CHECKED
KYE



- A: 10/12mm GLASS (NOMINAL GLASS THICKNESS SHOWN)
- B: FG8116 SLIMLINE DOOR FRAME
- C: 4.2 x 16mm C'SUNK SELF TAPPER
- D: 116119 DOOR FRAME PLYWOOD INFILL
- E: 116117 GLASS DOOR FLIPPER SEAL
- F: 10/12mm GLASS DOOR LEAF
- G: PATCH HINGE

NON FIRE RATED
SEE FIRE RATED SERIES
OF DRAWINGS



SAS International
31 Suttons Business Park,
London Road, Reading,
Berkshire, RG6 1AZ
Tel: 0118 929 0900
Fax: 0118 929 0908
Technical Helpline:
0118 929 0998
www.sasint.co.uk

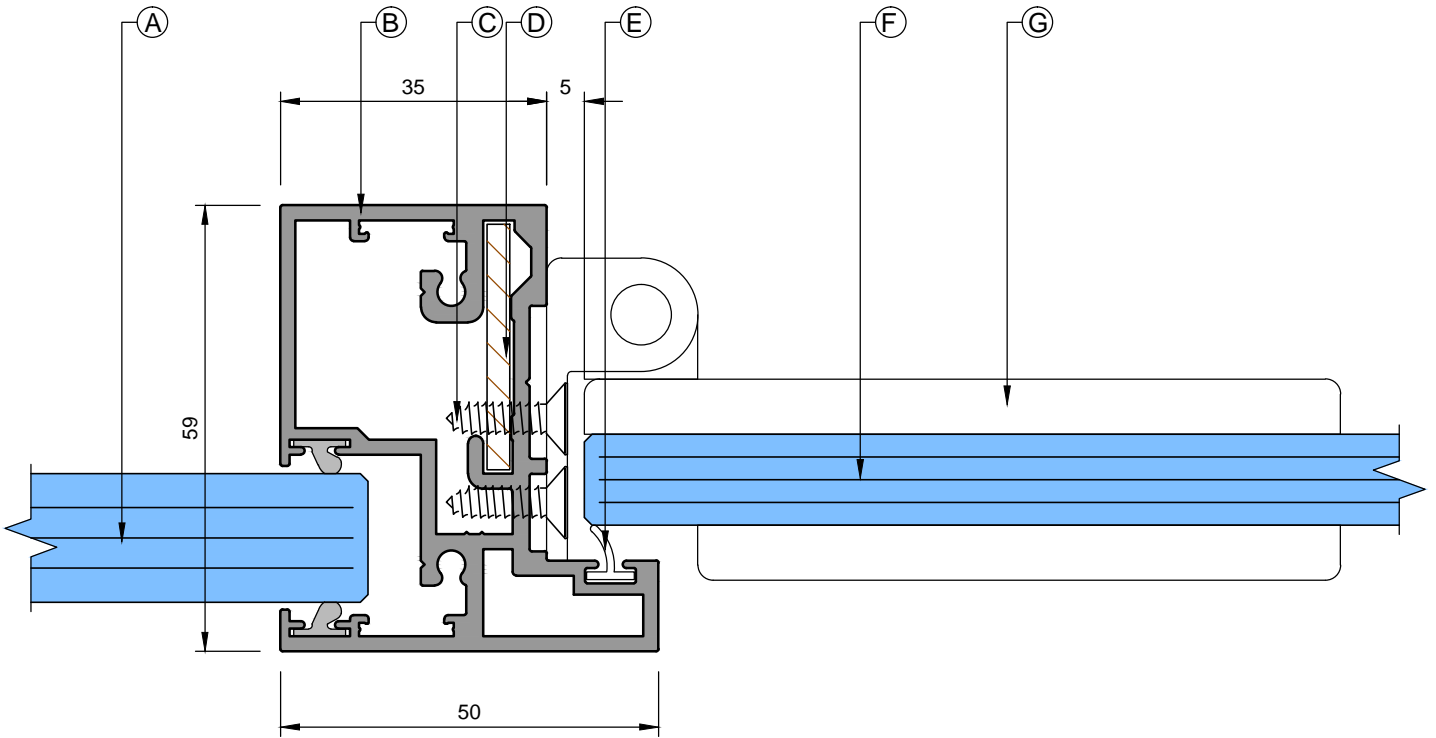
SYSTEM 8000

SINGLE GLAZED
FG8116 WALL ABUTMENT

SCALE @ A4
1:1
DRG NO
PS/8100/4302
ISSUED
INFORMATION

DATE
01/03/2012

DRAWN BY
TC
REV
01
CHECKED
KYE



- A: 15/17mm GLASS (NOMINAL GLASS THICKNESS NOTED)
- B: FG8117 SLIMLINE DOOR FRAME
- C: 4.2 x 16mm C'SUNK SELF TAPPER
- D: 116119 DOOR FRAME PLWOOD INFILL
- E: 116117 GLASS DOOR FLIPPER SEAL
- F: 10/12mm GLASS DOOR LEAF
- G: PATCH HINGE

NON FIRE RATED

SEE FIRE RATED SERIES OF DRAWINGS



SAS International
 31 Suttons Business Park,
 London Road, Reading,
 Berkshire, RG6 1AZ
 Tel: 0118 929 0900
 Fax: 0118 929 0908
 Technical Helpline:
 0118 929 0998
 www.sasint.co.uk

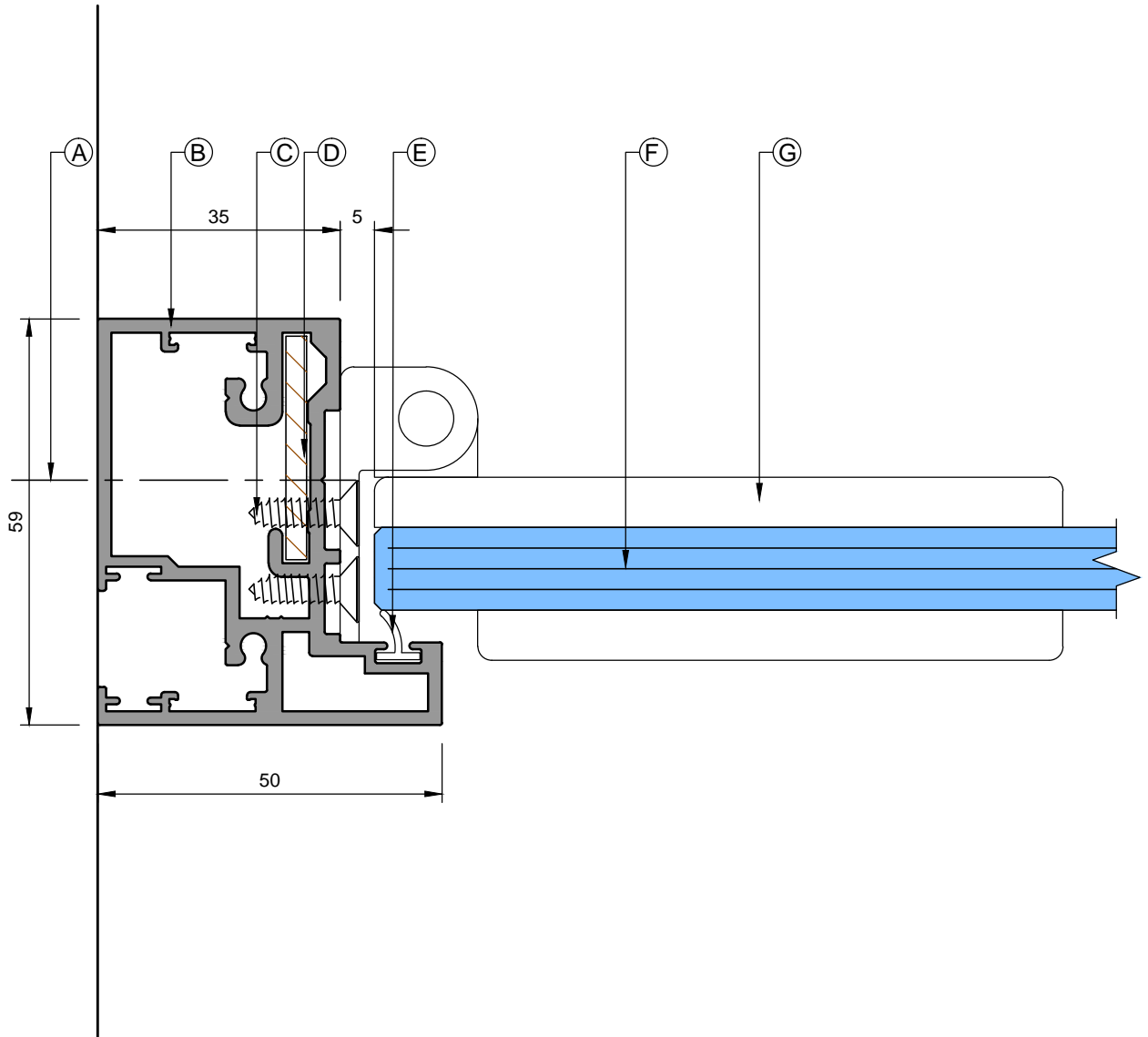
SYSTEM 8000

SINGLE GLAZED
 FG8117 WALL ABUTMENT

SCALE @ A4
 1:1
 DRG NO
 PS/8100/4303
 ISSUED
 INFORMATION

DATE
 01/03/2021

DRAWN BY
 TC
 REV
 01
 CHECKED
 KYE



- A: SUITABLE FIXINGS
- B: FG8116 SLIMLINE DOOR FRAME
- C: 4.2 x 16mm C'SUNK SELF TAPPER
- D: 116119 DOOR FRAME PLYWOOD INFILL
- E: 116117 GLASS DOOR FLIPPER SEAL
- F: 10/12mm GLASS DOOR LEAF
- G: PATCH HINGE

NON FIRE RATED
SEE FIRE RATED SERIES
OF DRAWINGS



SAS International
31 Suttons Business Park,
London Road, Reading,
Berkshire, RG6 1AZ
Tel: 0118 929 0900
Fax: 0118 929 0908
Technical Helpline:
0118 929 0998
www.sasint.co.uk

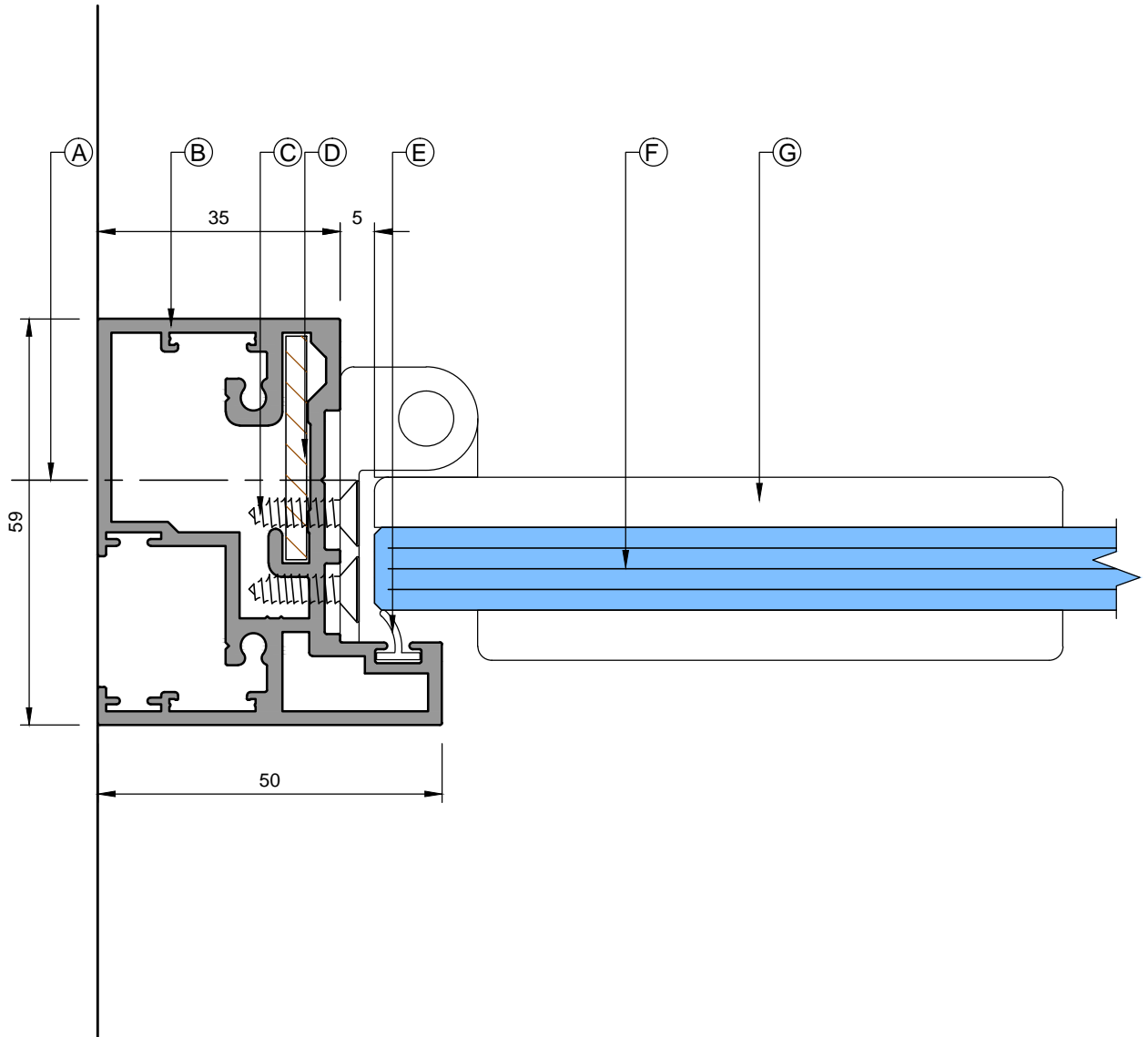
SYSTEM 8000

SINGLE GLAZED
FG8116 WALL ABUTMENT

SCALE @ A4
1:1
DRG NO
PS/8100/4304
ISSUED
INFORMATION

DATE
01/03/2012

DRAWN BY
TC
REV
01
CHECKED
KYE



- A: SUITABLE FIXINGS
- B: FG8117 SLIMLINE DOOR FRAME
- C: 4.2 x 16mm C'SUNK SELF TAPPER
- D: 116119 DOOR FRAME PLYWOOD INFILL
- E: 116117 GLASS DOOR FLIPPER SEAL
- F: 10/12mm GLASS DOOR LEAF
- G: PATCH HINGE

NON FIRE RATED

SEE FIRE RATED SERIES
OF DRAWINGS



SAS International
31 Suttons Business Park,
London Road, Reading,
Berkshire, RG6 1AZ
Tel: 0118 929 0900
Fax: 0118 929 0908
Technical Helpline:
0118 929 0998
www.sasint.co.uk

SYSTEM 8000

SINGLE GLAZED
FG8117 WALL ABUTMENT

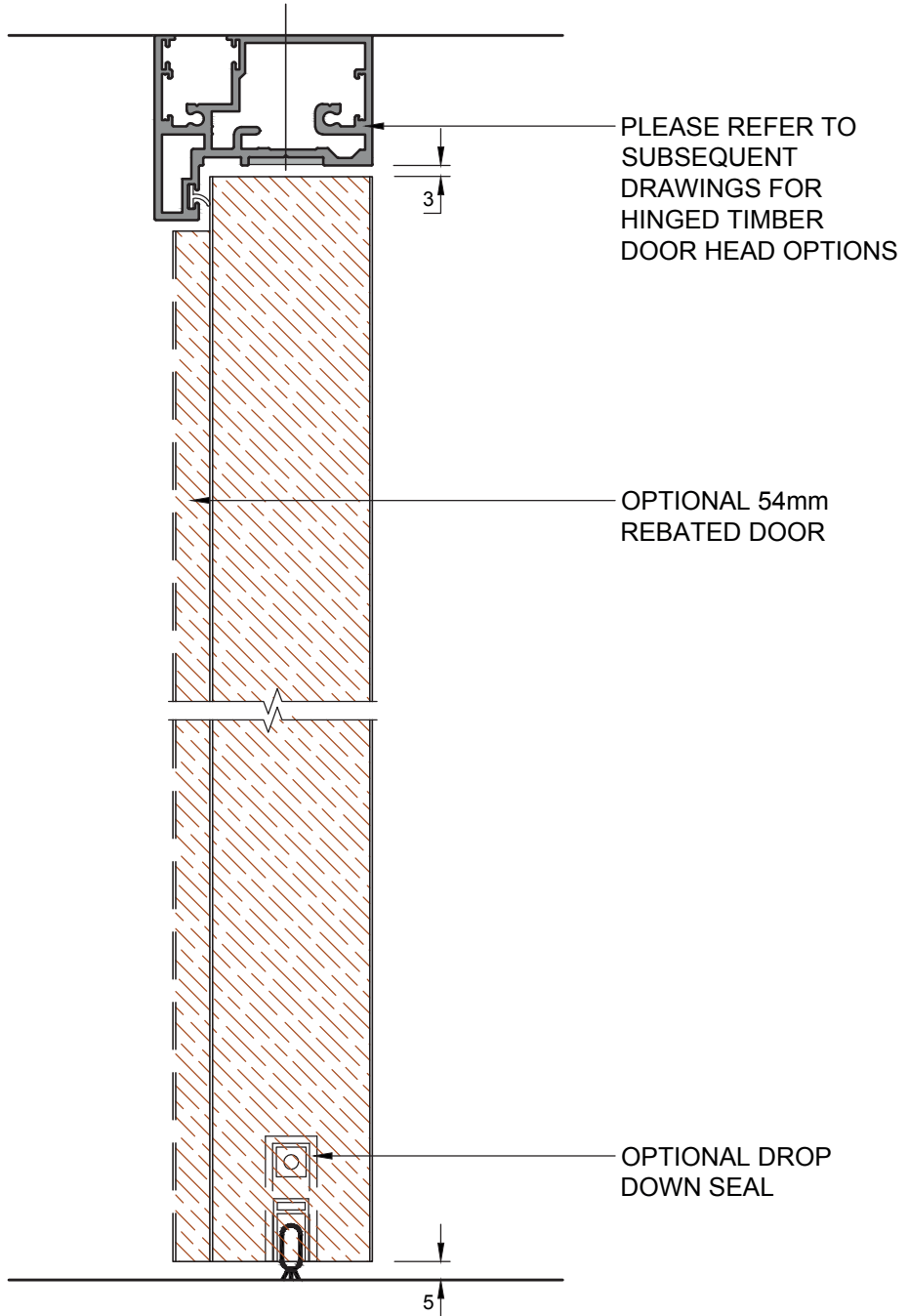
SCALE @ A4
1:1
DRG NO
PS/8100/4305
ISSUED
INFORMATION

DATE
01/03/2012

DRAWN BY
TC
REV
01
CHECKED
KYE

door frame details (timber doors)

Drawing description	Drawing number
Hinged Timber Door Leaf Vertical Section	PS/8100/5200
Door Frame Head Detail (10/12mm Glass)	PS/8100/5201
Door Frame Head Detail (15/17mm Glass)	PS/8100/5202
Two Part Door Frame Head Detail (10/12mm Glass)	PS/8100/5203
40mm Door Frame Head Detail (10/12mm Glass)	PS/8100/5204
50mm Door Frame Head Detail (10/12mm Glass)	PS/8100/5205
Deflection Door Frame Head Detail (10/12mm Glass)	PS/8100/5206
Two Part Reduced Head Detail	PS/8100/5207
40mm Reduced Head Detail	PS/8100/5208
50mm Reduced Head Detail	PS/8100/5209
Deflection Reduced Head Detail	PS/8100/5210
Door Frame With Glass Above (10/12mm Glass)	PS/8100/5211
Door Frame With Glass Above (15/17mm Glass)	PS/8100/5212
Single Hinged Timber Door Leaf Horizontal Section	PS/8100/5300
Double Hinged Timber Door Leaf Horizontal Section	PS/8100/5301
Door Frame Jamb (10/12mm Glass)	PS/8100/5302
Door Frame Jamb (15/17mm Glass)	PS/8100/5303
Door Frame Wall Abutment (10/12mm Glass)	PS/8100/5304
Door Frame Wall Abutment (15/17mm Glass)	PS/8100/5305



NON FIRE RATED
SEE FIRE RATED SERIES
OF DRAWINGS



SAS International
31 Suttons Business Park,
London Road, Reading,
Berkshire, RG6 1AZ
Tel: 0118 929 0900
Fax: 0118 929 0908
Technical Helpline:
0118 929 0998
www.sasint.co.uk

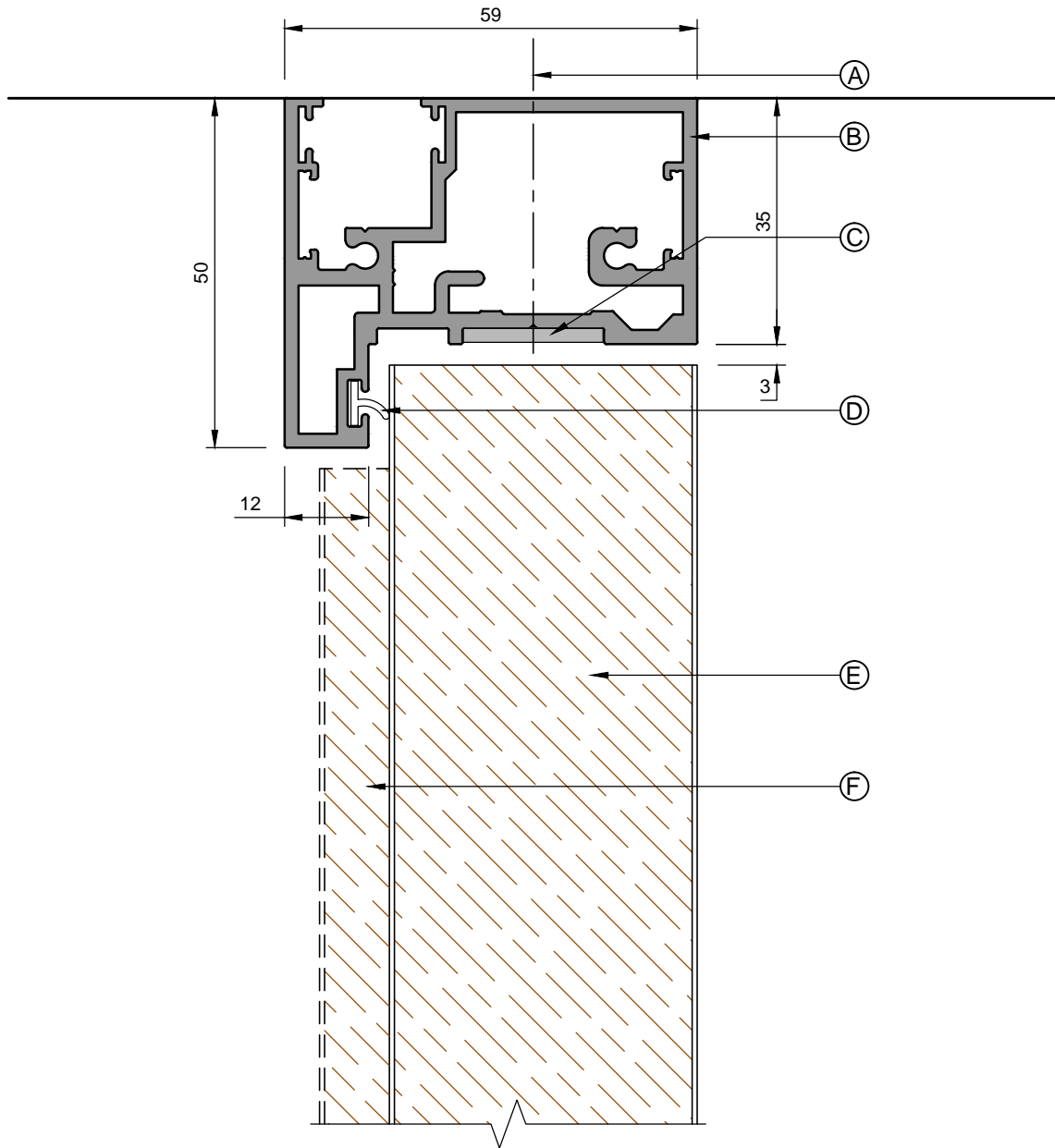
SYSTEM 8000

SINGLE GLAZED
HINGED TIMBER DOOR LEAF

SCALE @ A4
1:2
DRG NO
PS/8100/5200
ISSUED
INFORMATION

DATE
01/03/2012

DRAWN BY
TC
REV
00
CHECKED
KYE



- A: SUITABLE FIXINGS
- B: FG8116 SINGLE GLAZED SLIMLINE DOOR FRAME
- C: PIS20X2 OPTIONAL COVER STRIP
- D: 32037 FLIPPER SEAL
- E: 44mm TIMBER DOOR LEAF
- F: OPTIONAL 54mm REBATED DOOR LEAF

NON FIRE RATED
SEE FIRE RATED SERIES
OF DRAWINGS



SAS International
31 Suttons Business Park,
London Road, Reading,
Berkshire, RG6 1AZ
Tel: 0118 929 0900
Fax: 0118 929 0908
Technical Helpline:
0118 929 0998
www.sasint.co.uk

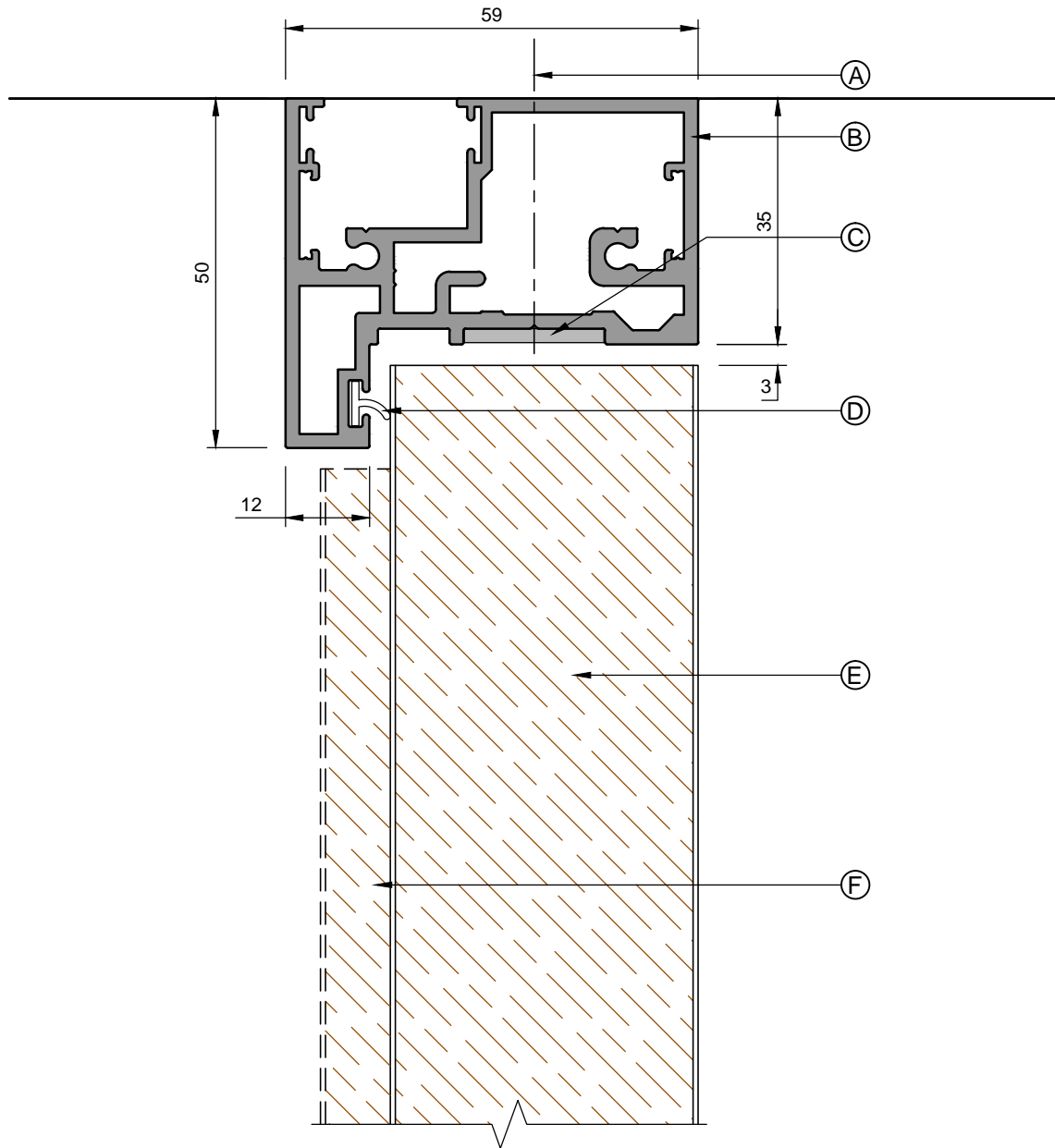
SYSTEM 8000

SINGLE GLAZED
FG8116 HEAD DETAIL

SCALE @ A4
1:1
DRG NO
PS/8100/5201
ISSUED
INFORMATION

DATE
01/03/2012

DRAWN BY
TC
REV
01
CHECKED
KYE



- A: SUITABLE FIXINGS
- B: FG8117 SINGLE GLAZED SLIMLINE DOOR FRAME
- C: PIS20X2 OPTIONAL COVER STRIP
- D: 32037 FLIPPER SEAL
- E: 44mm TIMBER DOOR LEAF
- F: OPTIONAL 54mm REBATED DOOR LEAF

NON FIRE RATED
SEE FIRE RATED SERIES
OF DRAWINGS



SAS International
31 Suttons Business Park,
London Road, Reading,
Berkshire, RG6 1AZ
Tel: 0118 929 0900
Fax: 0118 929 0908
Technical Helpline:
0118 929 0998
www.sasint.co.uk

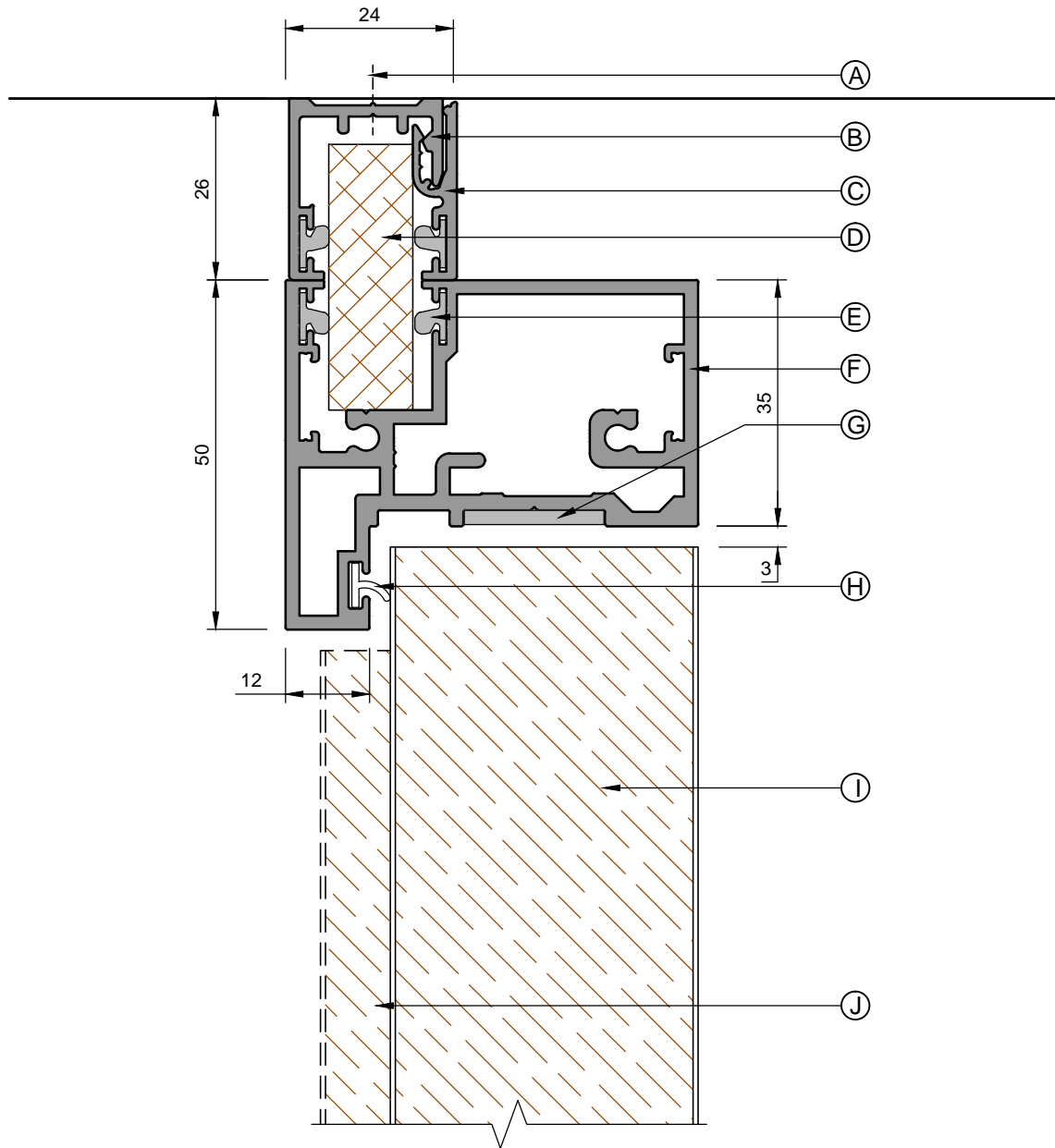
SYSTEM 8000

SINGLE GLAZED
FG8117 HEAD DETAIL

SCALE @ A4
1:1
DRG NO
PS/8100/5202
ISSUED
INFORMATION

DATE
01/03/2012

DRAWN BY
TC
REV
01
CHECKED
KYE



- A: SUITABLE FIXINGS
- B: FG8109 SINGLE GLAZING TRACK
- C: FG8001 GLAZING BEAD
- D: FG8007 38 x 12mm MDF HEAD PACKER
- E: 112217 Q-LON SEAL
- F: FG8116 SINGLE GLAZED SLIMLINE DOOR FRAME
- G: PIS20X2 OPTIONAL COVER STRIP
- H: 32037 FLIPPER SEAL
- I: 44mm TIMBER DOOR LEAF
- J: OPTIONAL 54mm REBATED DOOR LEAF

NON FIRE RATED
SEE FIRE RATED SERIES
OF DRAWINGS



SAS International
31 Suttons Business Park,
London Road, Reading,
Berkshire, RG6 1AZ
Tel: 0118 929 0900
Fax: 0118 929 0908
Technical Helpline:
0118 929 0998
www.sasint.co.uk

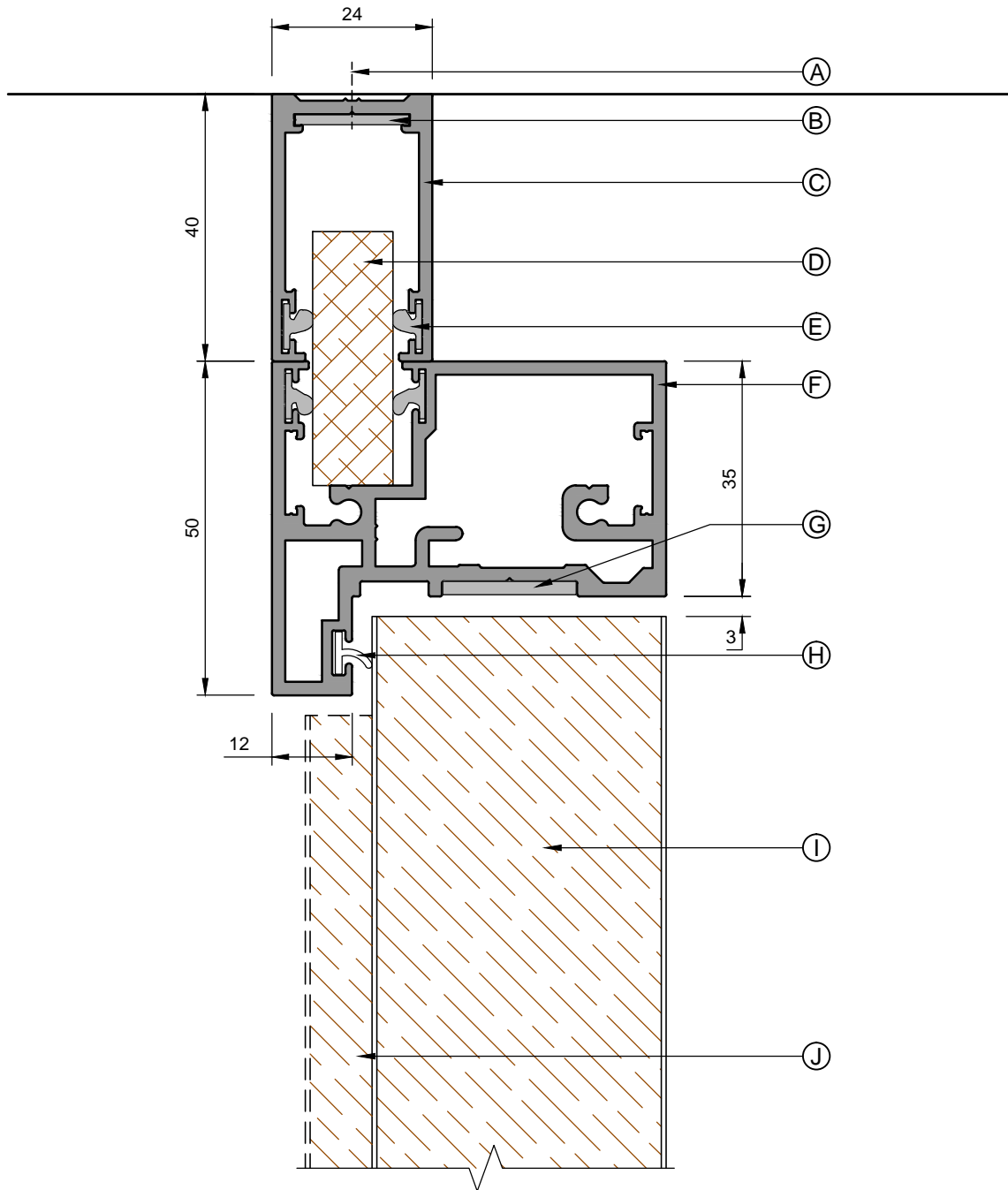
SYSTEM 8000

SINGLE GLAZED
FG8116 TWO PART HEAD DETAIL

SCALE @ A4
1:1
DRG NO
PS/8100/5203
ISSUED
INFORMATION

DATE
01/03/2012

DRAWN BY
TC
REV
01
CHECKED
KYE



- A: SUITABLE FIXINGS
- B: 50 x 17mm SPLICE PLATE (STRAIGHT, 90° AND 135° AVAILABLE)
- C: FG8102 40mm HEAD TRACK
- D: FG8007 38 x 12mm MDF HEAD PACKER
- E: 112217 Q-LON SEAL
- F: FG8116 SINGLE GLAZED SLIMLINE DOOR FRAME
- G: PIS20X2 OPTIONAL COVER STRIP
- H: 32037 FLIPPER SEAL
- I: 44mm TIMBER DOOR LEAF
- J: OPTIONAL 54mm REBATED DOOR LEAF

NON FIRE RATED
SEE FIRE RATED SERIES
OF DRAWINGS



SAS International
31 Suttons Business Park,
London Road, Reading,
Berkshire, RG6 1AZ
Tel: 0118 929 0900
Fax: 0118 929 0908
Technical Helpline:
0118 929 0998
www.sasint.co.uk

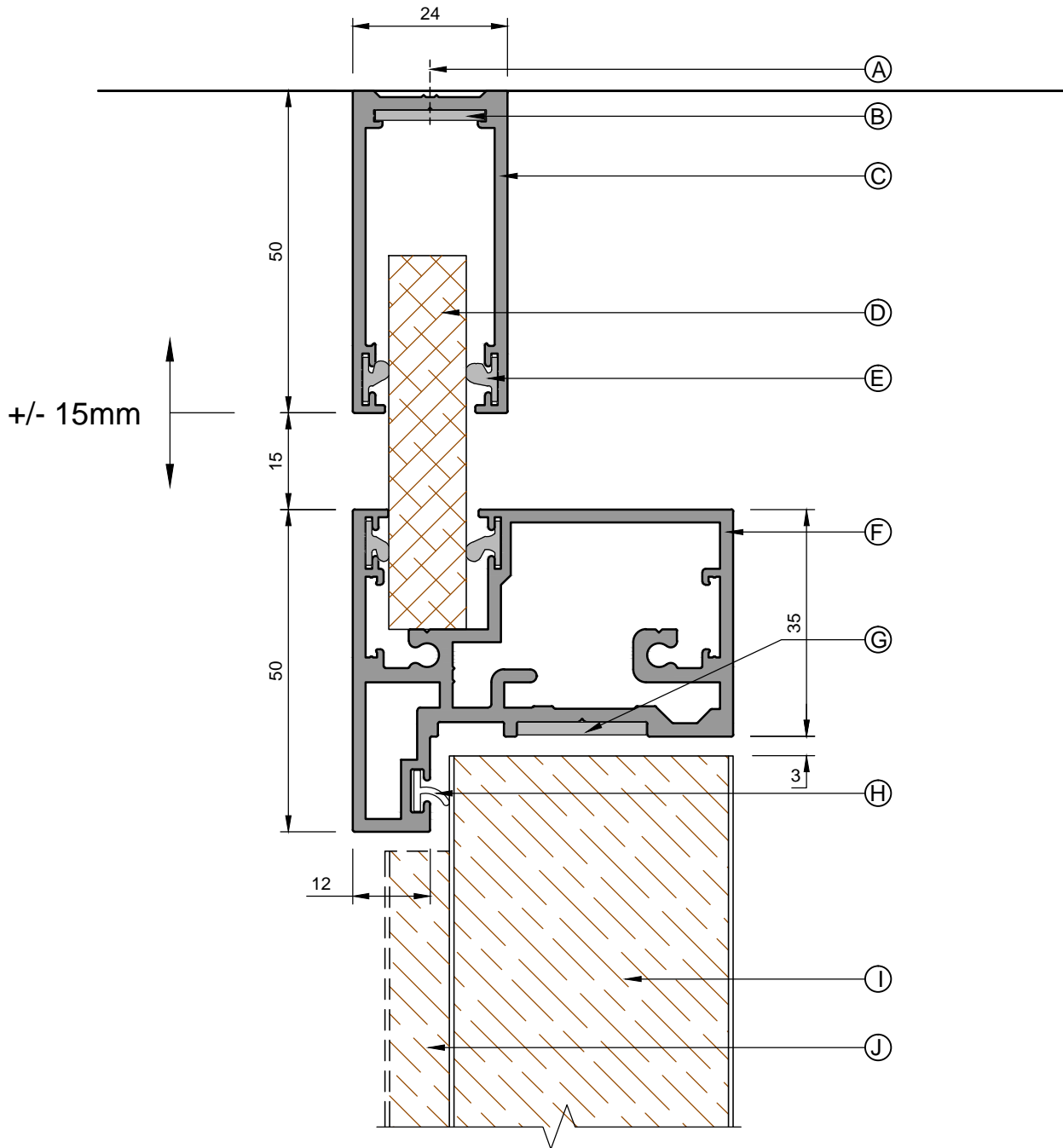
SYSTEM 8000

SINGLE GLAZED
FG8116 40mm HEAD DETAIL

SCALE @ A4
1:1
DRG NO
PS/8100/5204
ISSUED
INFORMATION

DATE
01/03/2012

DRAWN BY
TC
REV
01
CHECKED
KYE



- A: SUITABLE FIXINGS
- B: 50 x 17mm SPLICE PLATE (STRAIGHT, 90° AND 135° AVAILABLE)
- C: FG8103 50mm HEAD TRACK
- D: FG8008 58 x 12mm MDF HEAD PACKER
- E: 112217 Q-LON SEAL
- F: FG8116 SINGLE GLAZED SLIMLINE DOOR FRAME
- G: PIS20X2 OPTIONAL COVER STRIP
- H: 32037 FLIPPER SEAL
- I: 44mm TIMBER DOOR LEAF
- J: OPTIONAL 54mm REBATED DOOR LEAF

NON FIRE RATED
SEE FIRE RATED SERIES
OF DRAWINGS



SAS International
31 Suttons Business Park,
London Road, Reading,
Berkshire, RG6 1AZ
Tel: 0118 929 0900
Fax: 0118 929 0908
Technical Helpline:
0118 929 0998
www.sasint.co.uk

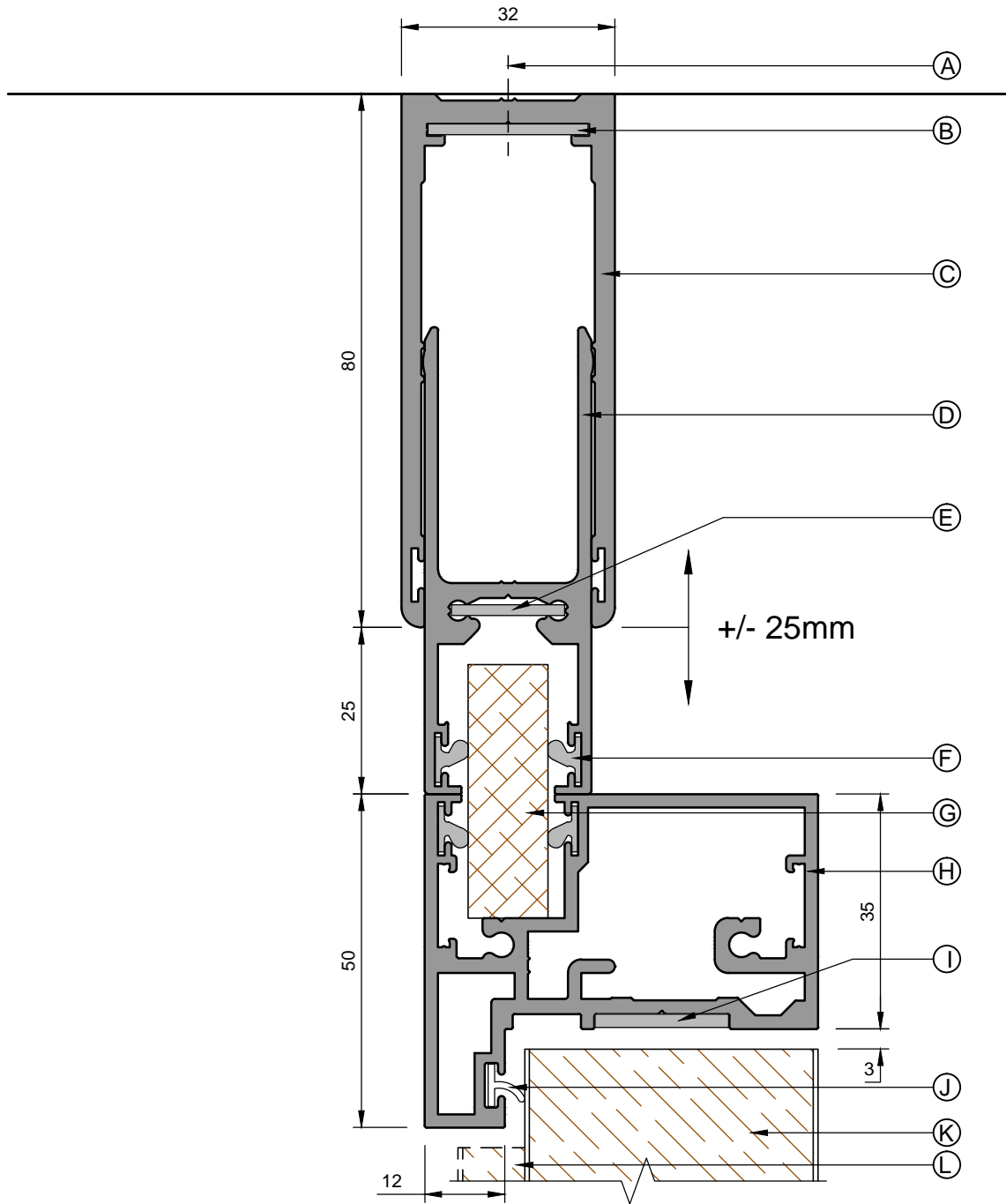
SYSTEM 8000

SINGLE GLAZED
FG8116 50mm HEAD DETAIL

SCALE @ A4
1:1
DRG NO
PS/8100/5205
ISSUED
INFORMATION

DATE
01/03/2012

DRAWN BY
TC
REV
01
CHECKED
KYE



- A: SUITABLE FIXINGS
- B: 50 x 24mm SPLICE PLATE (STRAIGHT, 90° AND 135° AVAILABLE)
- C: FG8105 SINGLE GLAZED DEFLECTION HEAD OUTER CHANNEL
- D: FG8106 SINGLE GLAZED DEFLECTION HEAD INNER CHANNEL
- E: 50 x 17mm SPLICE PLATE (STRAIGHT, 90° AND 135° AVAILABLE)
- F: 112217 Q-LON SEAL
- G: FG8007 38 x 12mm MDF HEAD PACKERS
- H: FG8116 SINGLE GLAZED SLIMLINE DOORFRAME
- I: PIS20X2 OPTIONAL COVER STRIP

- J: 32037 FLIPPER SEAL
- K: 44mm TIMBER DOOR LEAF
- L: OPTIONAL 54mm REBATED DOOR LEAF

NON FIRE RATED
SEE FIRE RATED SERIES
OF DRAWINGS



SAS International
31 Suttons Business Park,
London Road, Reading,
Berkshire, RG6 1AZ
Tel: 0118 929 0900
Fax: 0118 929 0908
Technical Helpline:
0118 929 0998
www.sasint.co.uk

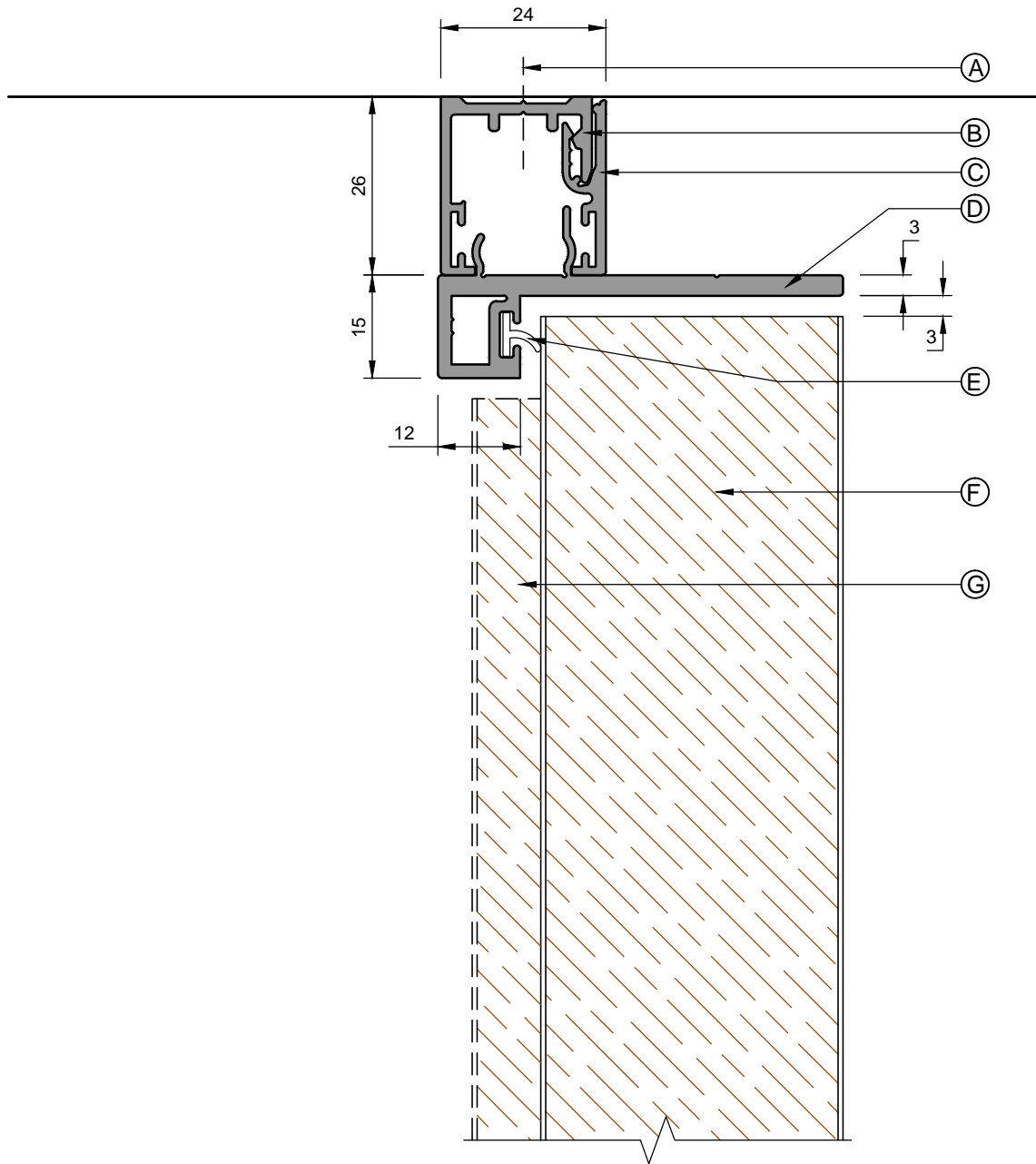
SYSTEM 8000

SINGLE GLAZED
FG8116 DEFLECTION HEAD DETAIL

SCALE @ A4
1:1
DRG NO
PS/8100/5206
ISSUED
INFORMATION

DATE
01/03/2012

DRAWN BY
TC
REV
01
CHECKED
KYE



- A: SUITABLE FIXINGS
- B: FG8109 SINGLE GLAZING TRACK
- C: FG8001 GLAZING BEAD
- D: FG8002 CLIP IN DOOR STOP HEAD
- E: 32037 FLIPPER SEAL
- F: 44mm TIMBER DOOR LEAF
- G: OPTIONAL 54mm REBATED DOOR LEAF

NON FIRE RATED
SEE FIRE RATED SERIES
OF DRAWINGS



SAS International
31 Suttons Business Park,
London Road, Reading,
Berkshire, RG6 1AZ
Tel: 0118 929 0900
Fax: 0118 929 0908
Technical Helpline:
0118 929 0998
www.sasint.co.uk

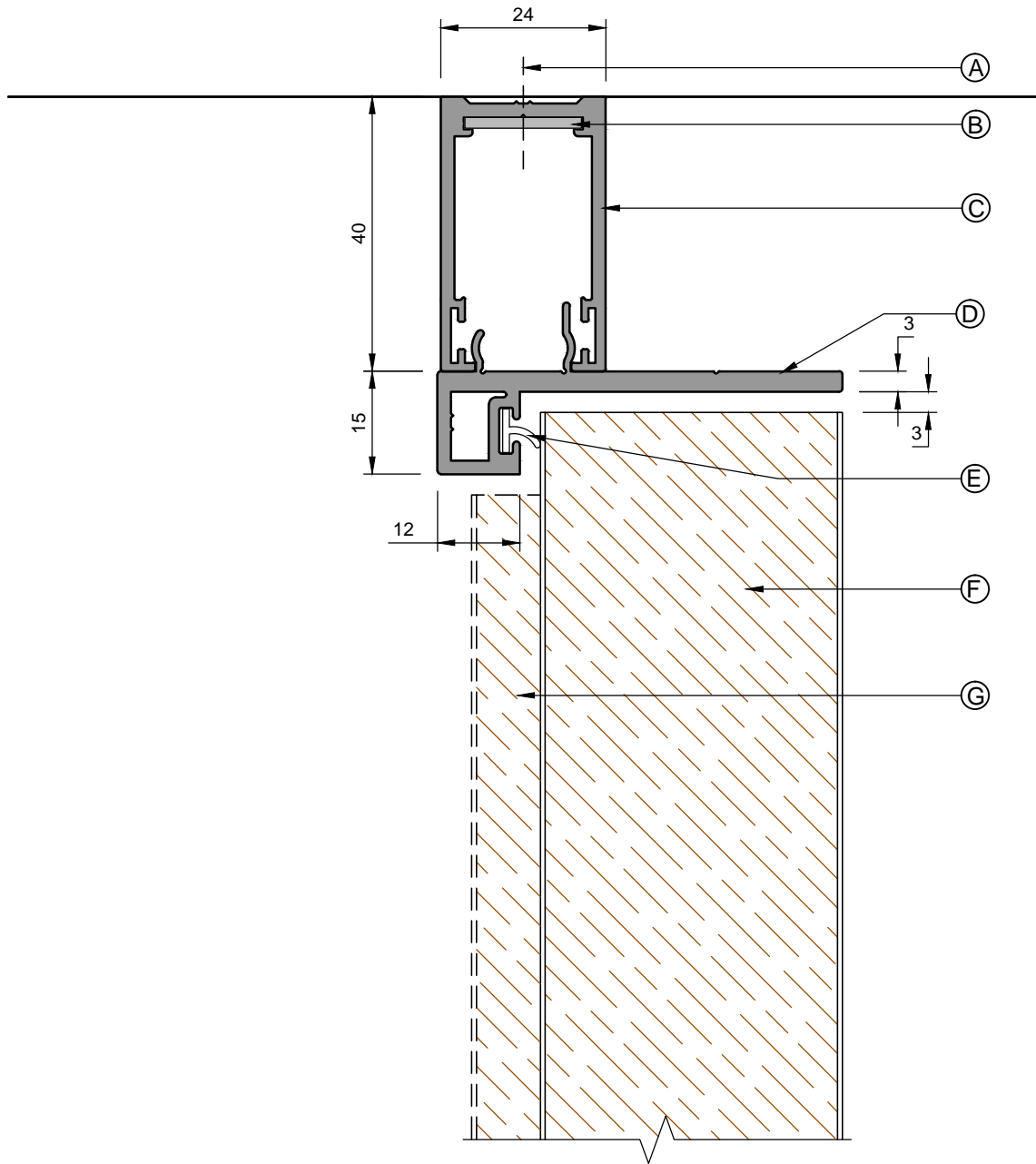
SYSTEM 8000

SINGLE GLAZED
REDUCED TWO PART HEAD DETAIL

SCALE @ A4
1:1
DRG NO
PS/8100/5207
ISSUED
INFORMATION

DATE
01/03/2012

DRAWN BY
TC
REV
01
CHECKED
KYE



- A: SUITABLE FIXINGS
- B: 50 x 17mm SPLICE PLATE (STRAIGHT, 90° AND 135° AVAILABLE)
- C: FG8102 40mm HEAD TRACK
- D: FG8002 CLIP IN DOOR STOP HEAD
- E: 32037 FLIPPER SEAL
- F: 44mm TIMBER DOOR LEAF
- G: OPTIONAL 54mm REBATED DOOR LEAF

NON FIRE RATED
SEE FIRE RATED SERIES
OF DRAWINGS



SAS International
31 Suttons Business Park,
London Road, Reading,
Berkshire, RG6 1AZ
Tel: 0118 929 0900
Fax: 0118 929 0908
Technical Helpline:
0118 929 0998
www.sasint.co.uk

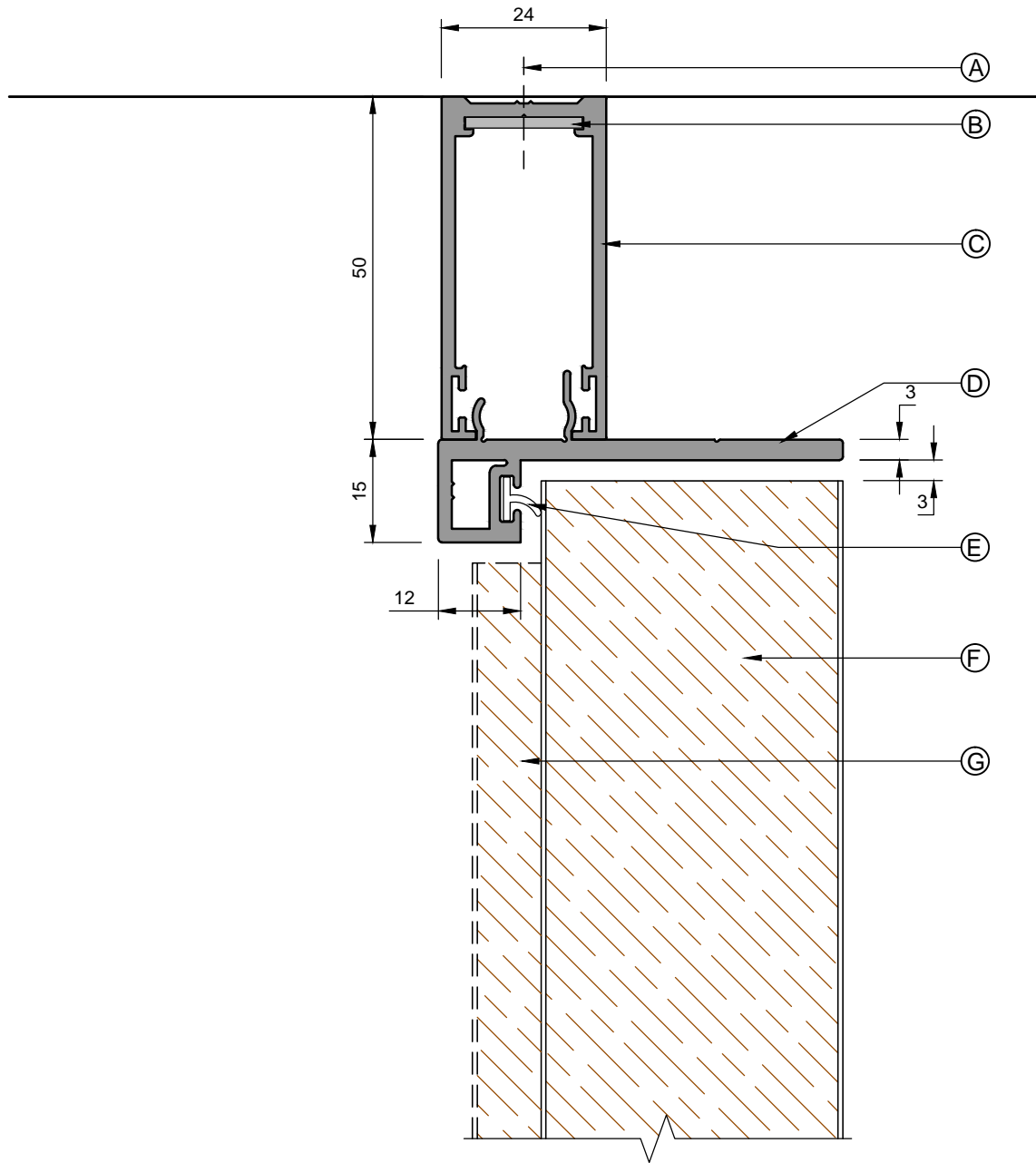
SYSTEM 8000

SINGLE GLAZED
REDUCED 40mm HEAD DETAIL

SCALE @ A4
1:1
DRG NO
PS/8100/5208
ISSUED
INFORMATION

DATE
01/03/2012

DRAWN BY
TC
REV
01
CHECKED
KYE



- A: SUITABLE FIXINGS
- B: 50 x 17mm SPLICE PLATE (STRAIGHT, 90° AND 135° AVAILABLE)
- C: FG8103 50mm HEAD TRACK
- D: FG8002 CLIP IN DOOR STOP HEAD
- E: 32037 FLIPPER SEAL
- F: 44mm TIMBER DOOR LEAF
- G: OPTIONAL 54mm REBATED DOOR LEAF

NON FIRE RATED
SEE FIRE RATED SERIES
OF DRAWINGS



SAS International
31 Suttons Business Park,
London Road, Reading,
Berkshire, RG6 1AZ
Tel: 0118 929 0900
Fax: 0118 929 0908
Technical Helpline:
0118 929 0998
www.sasint.co.uk

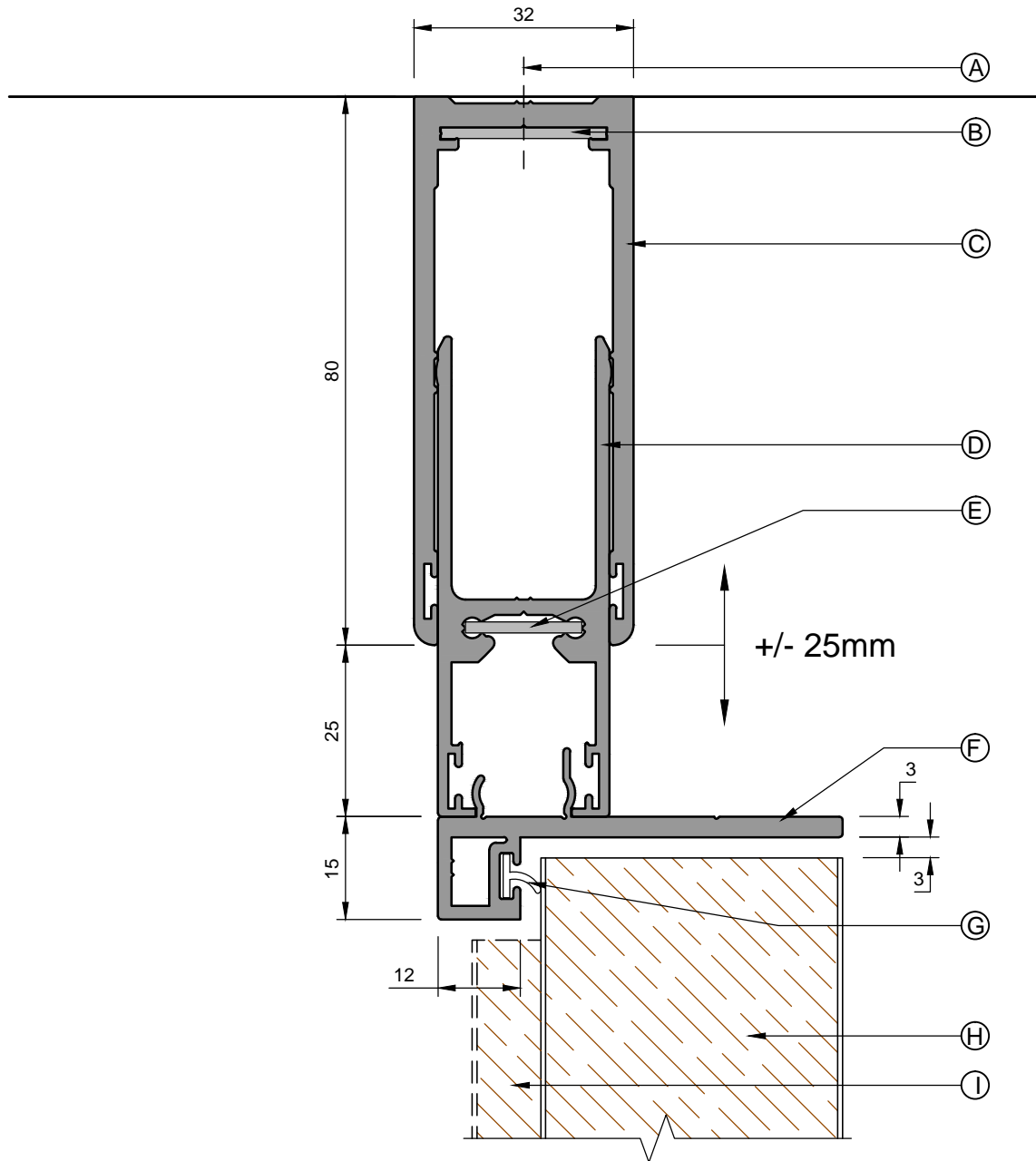
SYSTEM 8000

SINGLE GLAZED
REDUCED 50mm HEAD DETAIL

SCALE @ A4
1:1
DRG NO
PS/8100/5209
ISSUED
INFORMATION

DATE
01/03/2012

DRAWN BY
TC
REV
01
CHECKED
KYE



- A: SUITABLE FIXINGS
- B: 50 x 24mm SPLICE PLATE (STRAIGHT, 90° AND 135° AVAILABLE)
- C: FG8105 SINGLE GLAZED DEFLECTION HEAD OUTER CHANNEL
- D: FG8106 SINGLE GLAZED DEFLECTION HEAD INNER CHANNEL
- E: 50 x 17mm SPLICE PLATE (STRAIGHT, 90° AND 135° AVAILABLE)
- F: FG8002 CLIP IN DOOR STOP HEAD
- G: 32037 FLIPPER SEAL
- H: 44mm TIMBER DOOR LEAF
- I: OPTIONAL 54mm REBATED DOOR LEAF

NON FIRE RATED
SEE FIRE RATED SERIES
OF DRAWINGS



SAS International
31 Suttons Business Park,
London Road, Reading,
Berkshire, RG6 1AZ
Tel: 0118 929 0900
Fax: 0118 929 0908
Technical Helpline:
0118 929 0998
www.sasint.co.uk

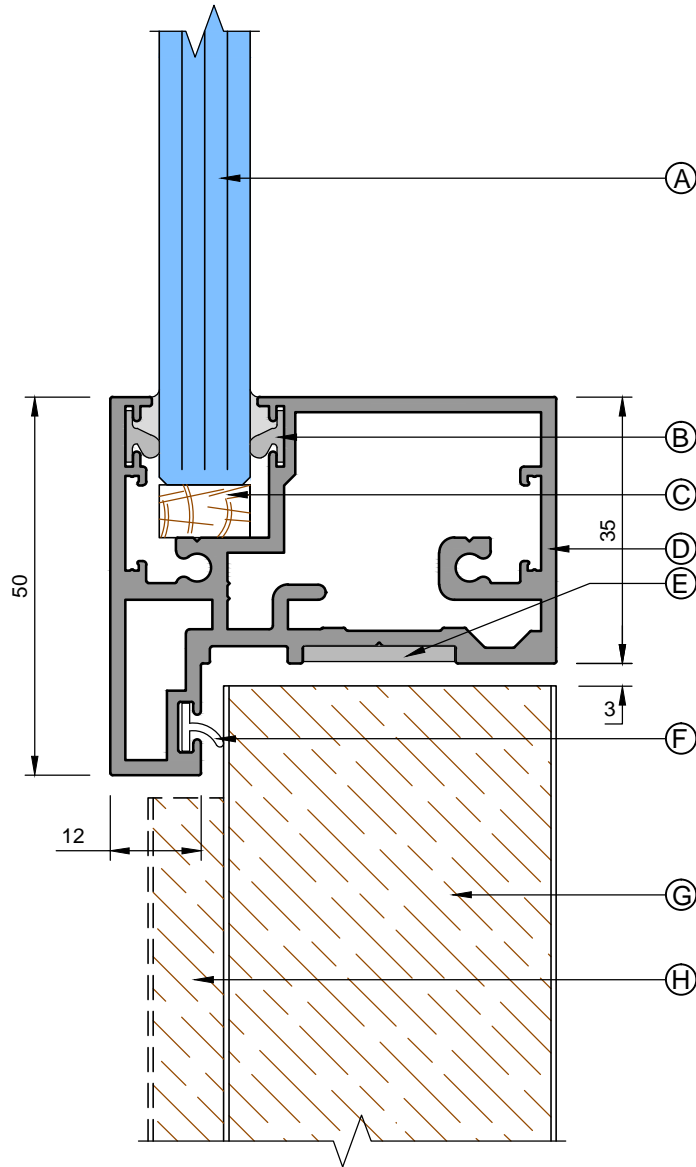
SYSTEM 8000

SINGLE GLAZED
REDUCED DEFLECTION HEAD DETAIL

SCALE @ A4
1:1
DRG NO
PS/8100/5210
ISSUED
INFORMATION

DATE
01/03/2012

DRAWN BY
TC
REV
01
CHECKED
KYE



- A: SUITABLE FIXINGS
- B: 112217 Q-LON SEAL
- C: 111637 TIMBER PACKER FOR GLAZING ABOVE DOOR
- D: FG8116 SINGLE GLAZED SLIMLINE DOOR FRAME
- E: PIS20X2 OPTIONAL COVER STRIP
- F: 32037 FLIPPER SEAL
- G: 44mm TIMBER DOOR LEAF
- H: OPTIONAL 54mm REBATED DOOR LEAF

NON FIRE RATED
SEE FIRE RATED SERIES
OF DRAWINGS



SAS International
31 Suttons Business Park,
London Road, Reading,
Berkshire, RG6 1AZ
Tel: 0118 929 0900
Fax: 0118 929 0908
Technical Helpline:
0118 929 0998
www.sasint.co.uk

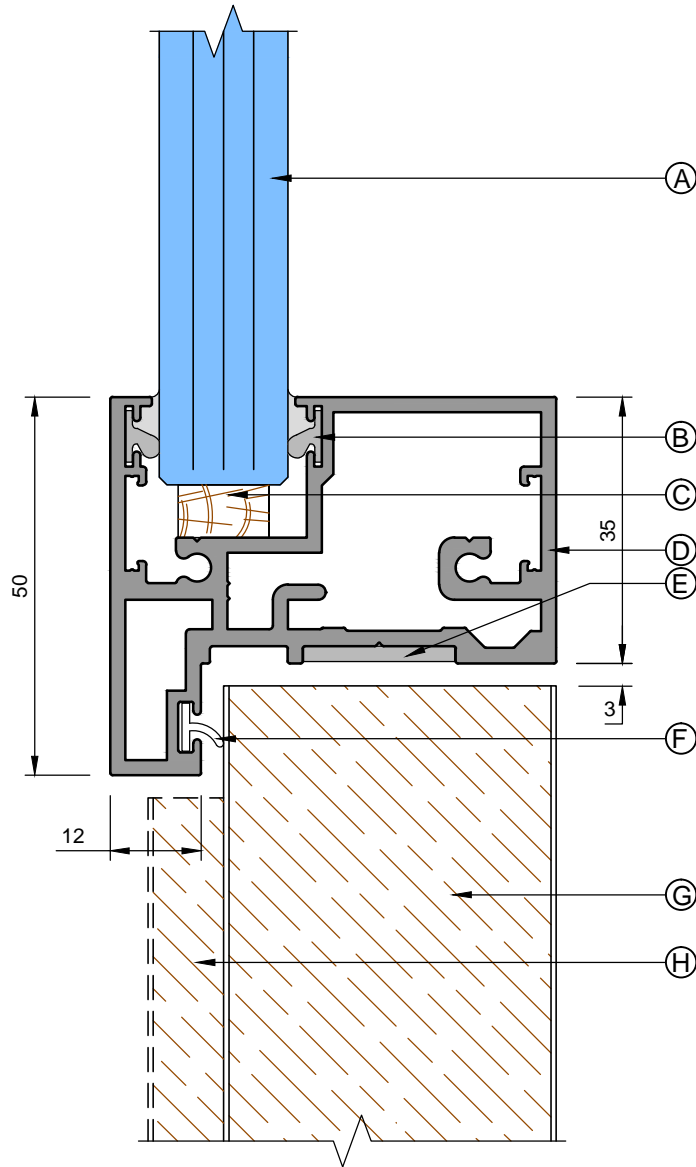
SYSTEM 8000

SINGLE GLAZED
FG8116 WITH GLASS ABOVE

SCALE @ A4
1:1
DRG NO
PS/8100/5211
ISSUED
INFORMATION

DATE
01/03/2012

DRAWN BY
TC
REV
01
CHECKED
KYE



- A: SUITABLE FIXINGS
 B: 112217 Q-LON SEAL
 C: 111637 TIMBER PACKER FOR GLAZING ABOVE DOOR
 D: FG8116 SINGLE GLAZED SLIMLINE DOOR FRAME
 E: PIS20X2 OPTIONAL COVER STRIP
 F: 32037 FLIPPER SEAL
 G: 44mm TIMBER DOOR LEAF
 H: OPTIONAL 54mm REBATED DOOR LEAF

NON FIRE RATED
 SEE FIRE RATED SERIES
 OF DRAWINGS



SAS International
 31 Suttons Business Park,
 London Road, Reading,
 Berkshire, RG6 1AZ
 Tel: 0118 929 0900
 Fax: 0118 929 0908
 Technical Helpline:
 0118 929 0998
 www.sasint.co.uk

SYSTEM 8000

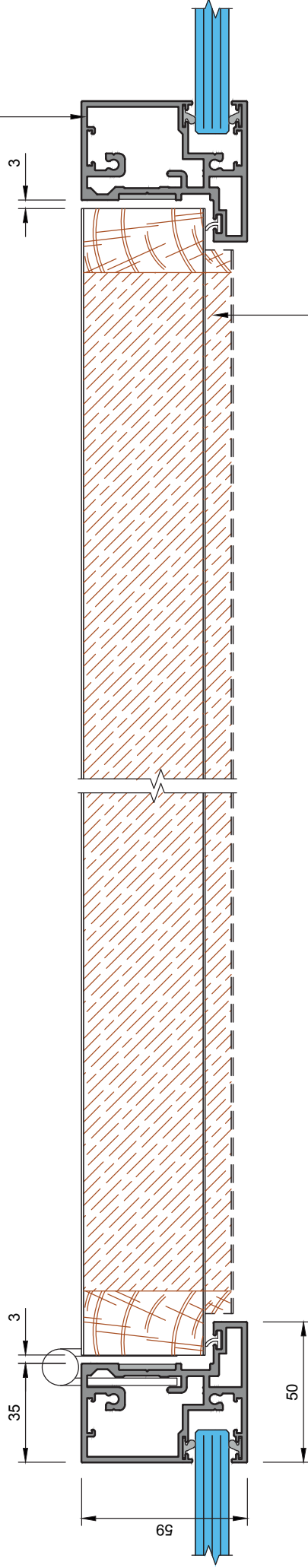
SINGLE GLAZED
 FG8117 WITH GLASS ABOVE

SCALE @ A4
 1:1
 DRG NO
 PS/8100/5212
 ISSUED
 INFORMATION

DATE
 01/03/2012

DRAWN BY
 TC
 REV
 01
 CHECKED
 KYE

PLEASE REFER TO
SUBSEQUENT DRAWINGS
FOR HINGED TIMBER
DOOR JAMB OPTIONS



NON FIRE RATED
SEE FIRE RATED SERIES
OF DRAWINGS



SAS International
London Road, Reading,
Berks, RG6 7AZ
UK
Tel: 0118 922 0000
Fax: 0118 922 0008
Technical Hotline:
0118 922 0009
www.sasint.co.uk

SAS International claims proprietary rights in the information disclosed herein. This drawing is furnished in confidence on the express understanding that neither it nor any reproduction thereof will be disclosed to others or used for the purpose of manufacture or sale of any product or service in competition with the products or services of SAS International. It should be understood that any article or part either made in accordance with the attached drawing or copied from an article or part made in accordance with said drawing, without the express permission in writing of SAS International, will be an infringement of the copyright subsisting in said drawing and therefore actionable by SAS International.
© 2010 SAS International

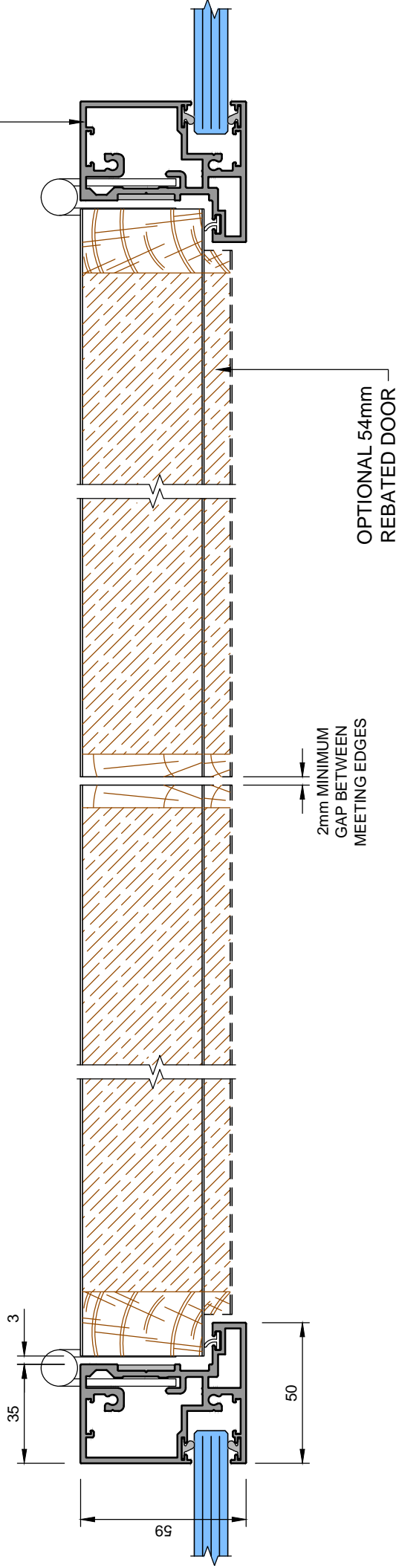
SYSTEM 8000
SINGLE GLAZED
FG8116 DOOR FRAME SECTION VIEW

SCALE @ A4
1:2
DRG NO
PS/8100/5300
ISSUED
INFORMATION

DATE
01/03/2012

DRAWN BY
TC
REV
00
CHECKED
KYE

PLEASE REFER TO
SUBSEQUENT DRAWINGS
FOR HINGED TIMBER
DOOR JAMB OPTIONS



2mm MINIMUM
GAP BETWEEN
MEETING EDGES

OPTIONAL 54mm
REBATED DOOR

NON FIRE RATED
SEE FIRE RATED SERIES
OF DRAWINGS

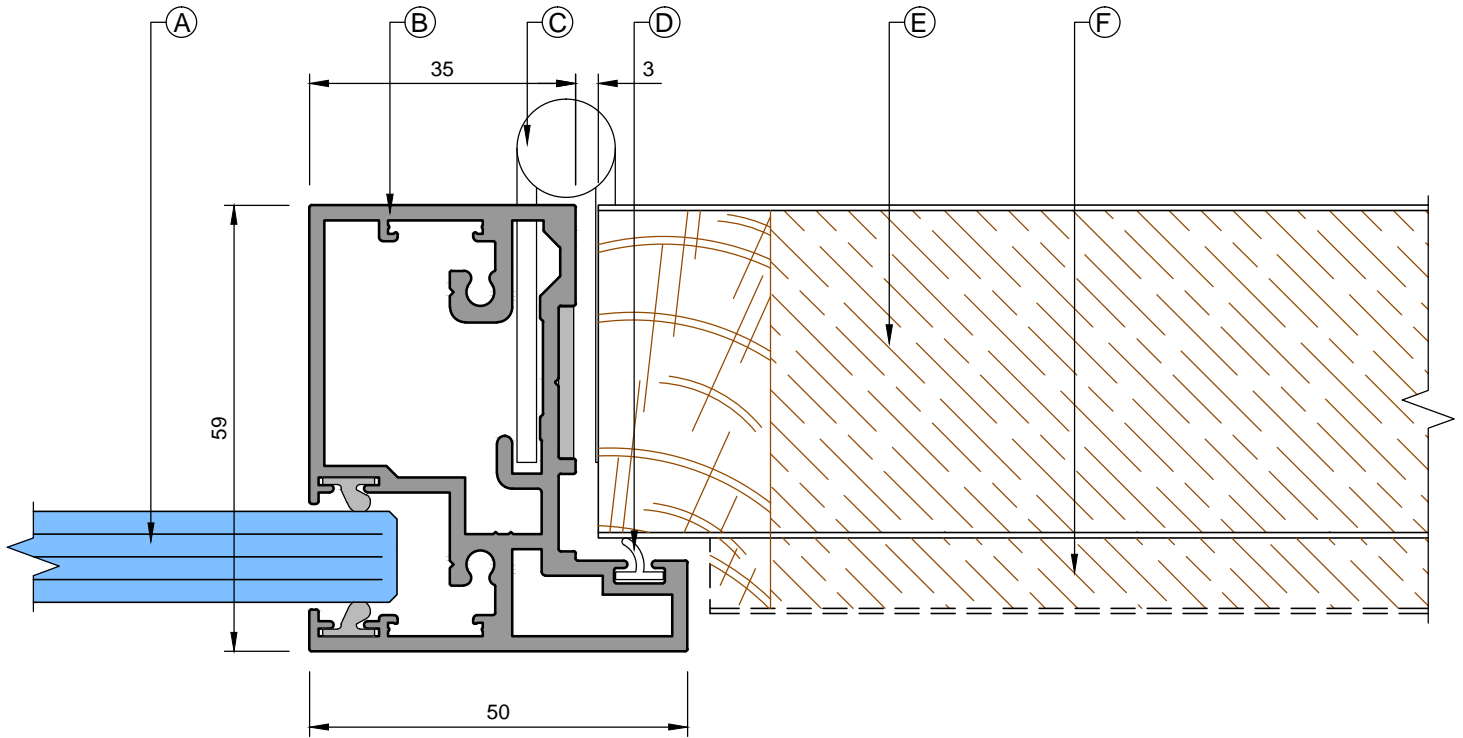


SAS International
31 Sibona Business Park,
London Road, Reading,
RG2 9AT
Tel: 0118 929 0900
Fax: 0118 929 0908
Email: sales@sasint.com
0118 929 0998
www.sasint.co.uk

SAS International claims proprietary rights in the information disclosed herein. This information is intended for use by the manufacturer of the product for which it is intended. Reproduction hereof without the express consent in writing of SAS International is prohibited. It should be understood that any article or part either made in accordance with the information disclosed herein or used in connection with the product, without the express permission in writing of SAS International, will be an infringement of the Copyright which subsists in said drawing and therefore actionable by law.
© 2010 SAS International

SYSTEM 8000
SINGLE GLAZED
FG8116 SECTION VIEW

SCALE @ A4 1:2
DRG NO PS/8100/5301
ISSUED INFORMATION
DATE 01/03/2012
DRAWN BY TC
REV 01
CHECKED KYE



NON FIRE RATED
SEE FIRE RATED SERIES
OF DRAWINGS

- A: 10/12mm GLASS (NOMINAL GLASS THICKNESS SHOWN)
- B: FG8116 SLIMLINE DOOR FRAME
- C: PTH103 DOOR HINGE
- D: 32037 FLIPPER SEAL
- E: 44mm TIMBER DOOR LEAF
- F: OPTIONAL 54mm REBATED DOOR LEAF



SAS International
31 Suttons Business Park,
London Road, Reading,
Berkshire, RG6 1AZ
Tel: 0118 929 0900
Fax: 0118 929 0908
Technical Helpline:
0118 929 0998
www.sasint.co.uk

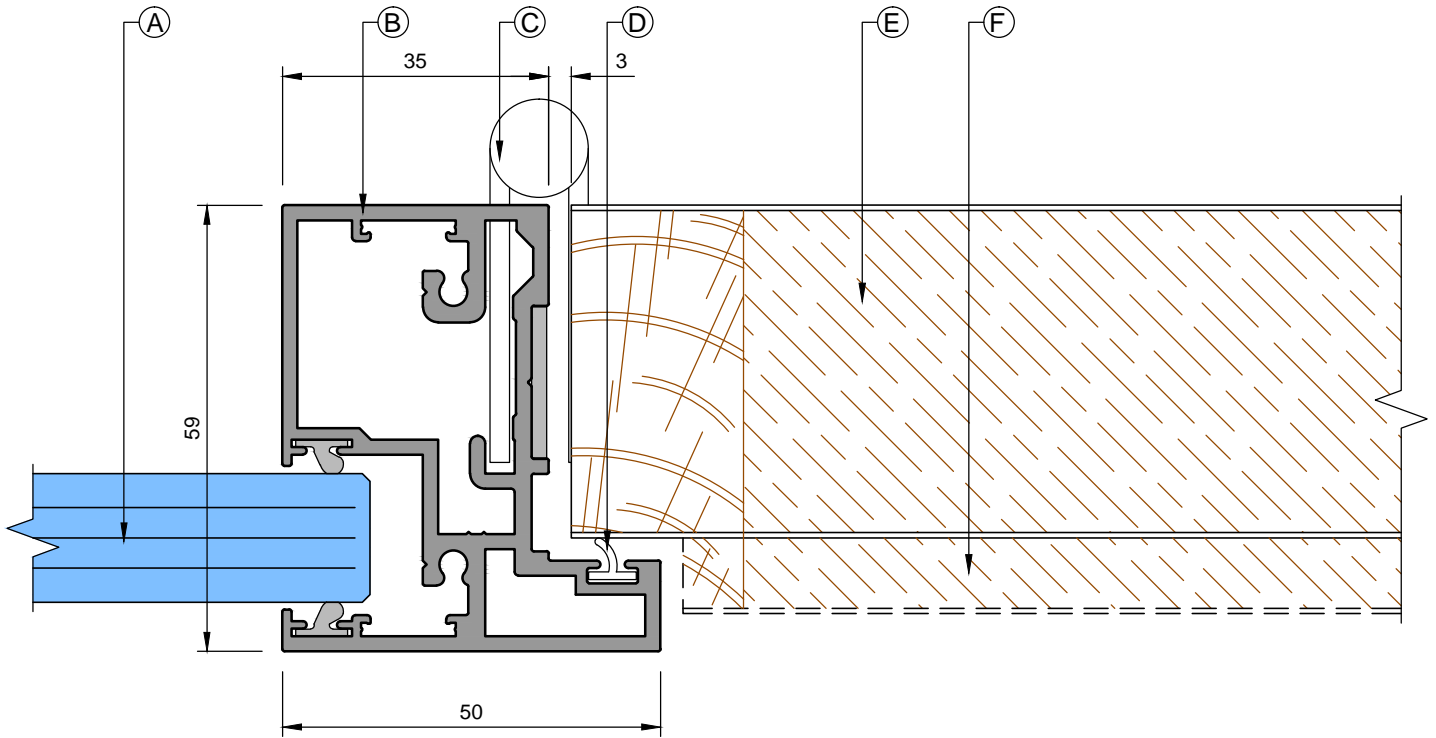
SYSTEM 8000

SINGLE GLAZED
FG8116 JAMB DETAIL

SCALE @ A4
1:1
DRG NO
PS/8100/5302
ISSUED
INFORMATION

DATE
01/03/2012

DRAWN BY
TC
REV
01
CHECKED
KYE



NON FIRE RATED

SEE FIRE RATED SERIES OF DRAWINGS

- A: 15/17mm GLASS (NOMINAL GLASS THICKNESS NOTED)
- B: FG8117 SLIMLINE DOOR FRAME
- C: PTH103 DOOR HINGE
- D: 32037 FLIPPER SEAL
- E: 44mm TIMBER DOOR LEAF
- F: OPTIONAL 54mm REBATED DOOR LEAF



SAS International
 31 Suttons Business Park,
 London Road, Reading,
 Berkshire, RG6 1AZ
 Tel: 0118 929 0900
 Fax: 0118 929 0908
 Technical Helpline:
 0118 929 0998
 www.sasint.co.uk

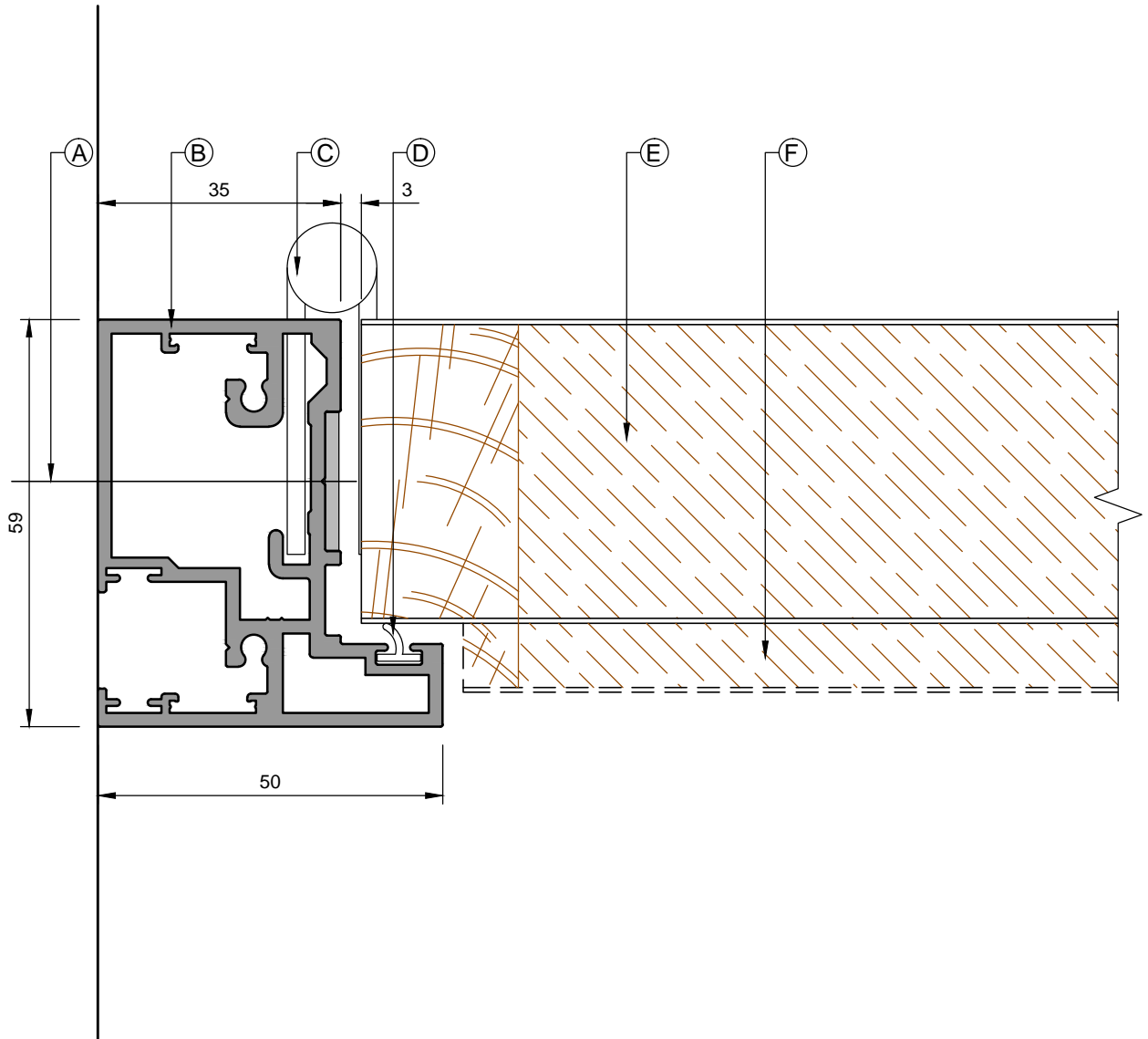
SYSTEM 8000

SINGLE GLAZED
 FG8117 JAMB DETAIL

SCALE @ A4
 1:1
 DRG NO
 PS/8100/5303
 ISSUED
 INFORMATION

DATE
 01/03/2012

DRAWN BY
 TC
 REV
 01
 CHECKED
 KYE



NON FIRE RATED
SEE FIRE RATED SERIES
OF DRAWINGS

- A: SUITABLE FIXINGS
- B: FG8116 SLIMLINE DOOR FRAME
- C: PTH103 DOOR HINGE
- D: 32037 FLIPPER SEAL
- E: 44mm TIMBER DOOR LEAF
- F: OPTIONAL 54mm REBATED DOOR LEAF



SAS International
31 Suttons Business Park,
London Road, Reading,
Berkshire, RG6 1AZ
Tel: 0118 929 0900
Fax: 0118 929 0908
Technical Helpline:
0118 929 0998
www.sasint.co.uk

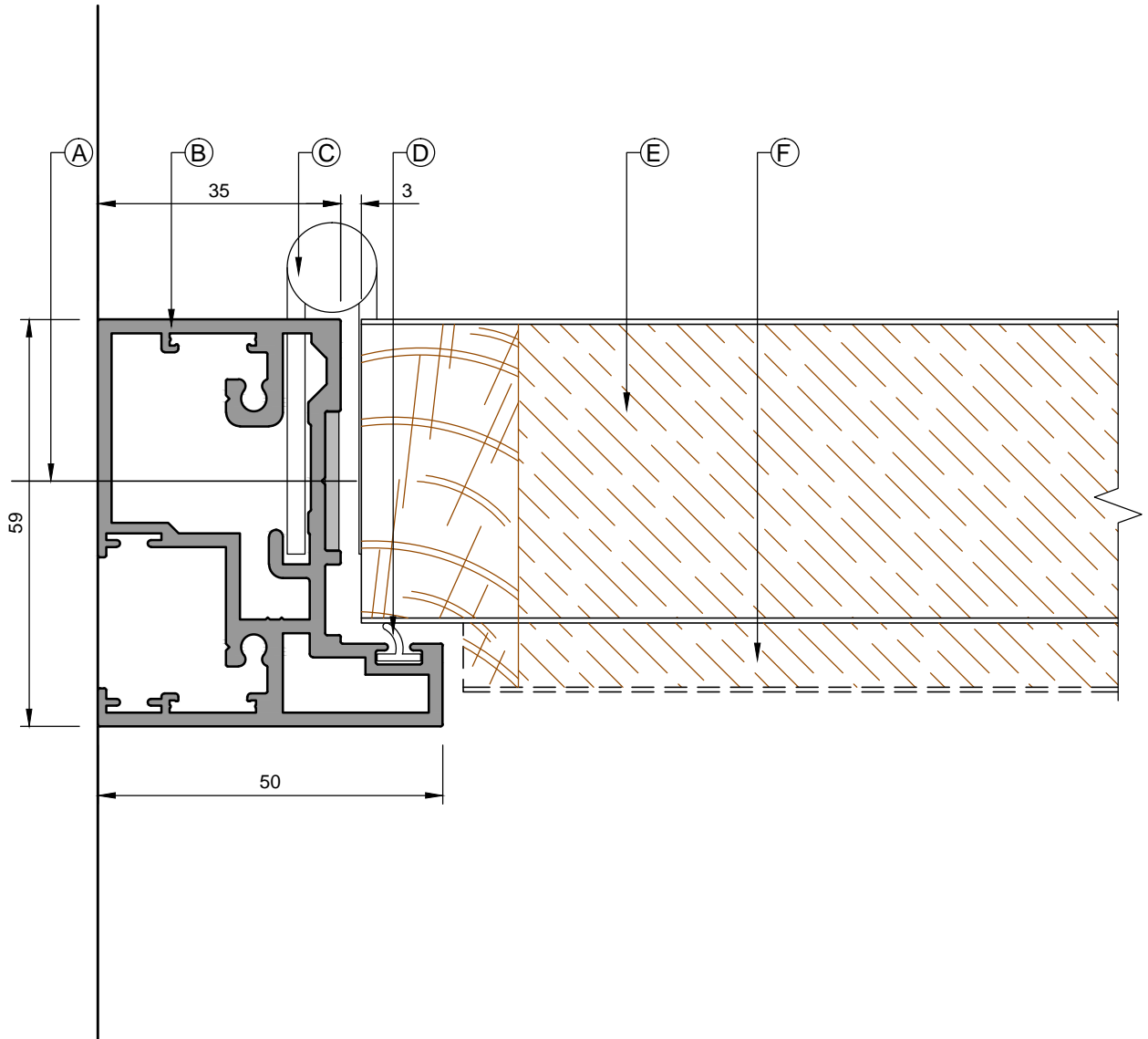
SYSTEM 8000

SINGLE GLAZED
FG8116 WALL ABUTMENT

SCALE @ A4
1:1
DRG NO
PS/8100/5304
ISSUED
INFORMATION

DATE
01/03/2012

DRAWN BY
TC
REV
01
CHECKED
KYE



- A: SUITABLE FIXINGS
- B: FG8117 SLIMLINE DOOR FRAME
- C: PTH103 DOOR HINGE
- D: 32037 FLIPPER SEAL
- E: 44mm TIMBER DOOR LEAF
- F: OPTIONAL 54mm REBATED DOOR LEAF

NON FIRE RATED

SEE FIRE RATED SERIES OF DRAWINGS



SAS International
 31 Suttons Business Park,
 London Road, Reading,
 Berkshire, RG6 1AZ
 Tel: 0118 929 0900
 Fax: 0118 929 0908
 Technical Helpline:
 0118 929 0998
 www.sasint.co.uk

SYSTEM 8000

SINGLE GLAZED
 FG8117 WALL ABUTMENT

SCALE @ A4
 1:1

DRG NO
 PS/8100/5305

ISSUED
 INFORMATION

DATE
 01/03/2012

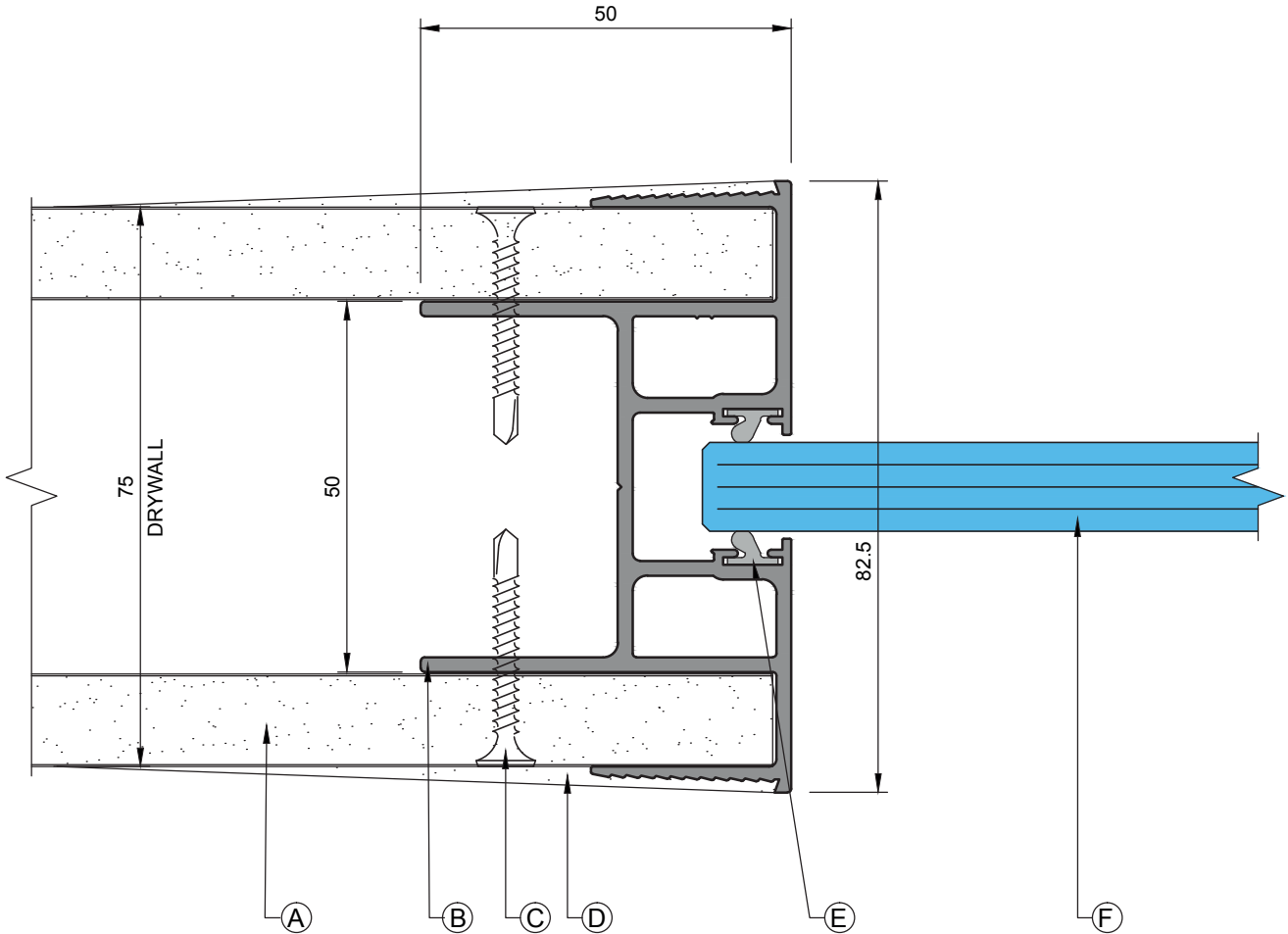
DRAWN BY
 TC

REV
 01

CHECKED
 KYE

drywall integration details

Drawing description	Drawing number
Inline Adaptor For 75mm Drywall (10/12mm Glass).....	PS/8100/7000
Inline Adaptor For 100mm Drywall (10/12mm Glass)	PS/8100/7001
Inline Adaptor For 120mm Drywall (10/12mm Glass).....	PS/8100/7002
Two Way Adaptor For 75mm Drywall (10/12mm Glass)	PS/8100/7003
Reveal Channel Head Detail (10/12mm Glass)	PS/8100/7006
Reveal Channel Wall Abutment (10/12mm Glass).....	PS/8100/7007



- A: 12.5mm PLASTERBOARD
- B: FG8120 SINGLE GLAZED ADAPTOR FOR 75mm DRYWALL
- C: 3.5 x 32mm JACK POINT DRY WALL SCREW @ 300mm CTRS
- D: TAPED AND JOINTED
- E: 112217 Q-LON SEAL
- F: 10/12mm GLASS (NOMINAL GLASS THICKNESS NOTED)

NON FIRE RATED

SEE FIRE RATED SERIES OF DRAWINGS



SAS International
 31 Suttons Business Park,
 London Road, Reading,
 Berkshire, RG6 1AZ
 Tel: 0118 929 0900
 Fax: 0118 929 0908
 Technical Helpline:
 0118 929 0998
 www.sasint.co.uk

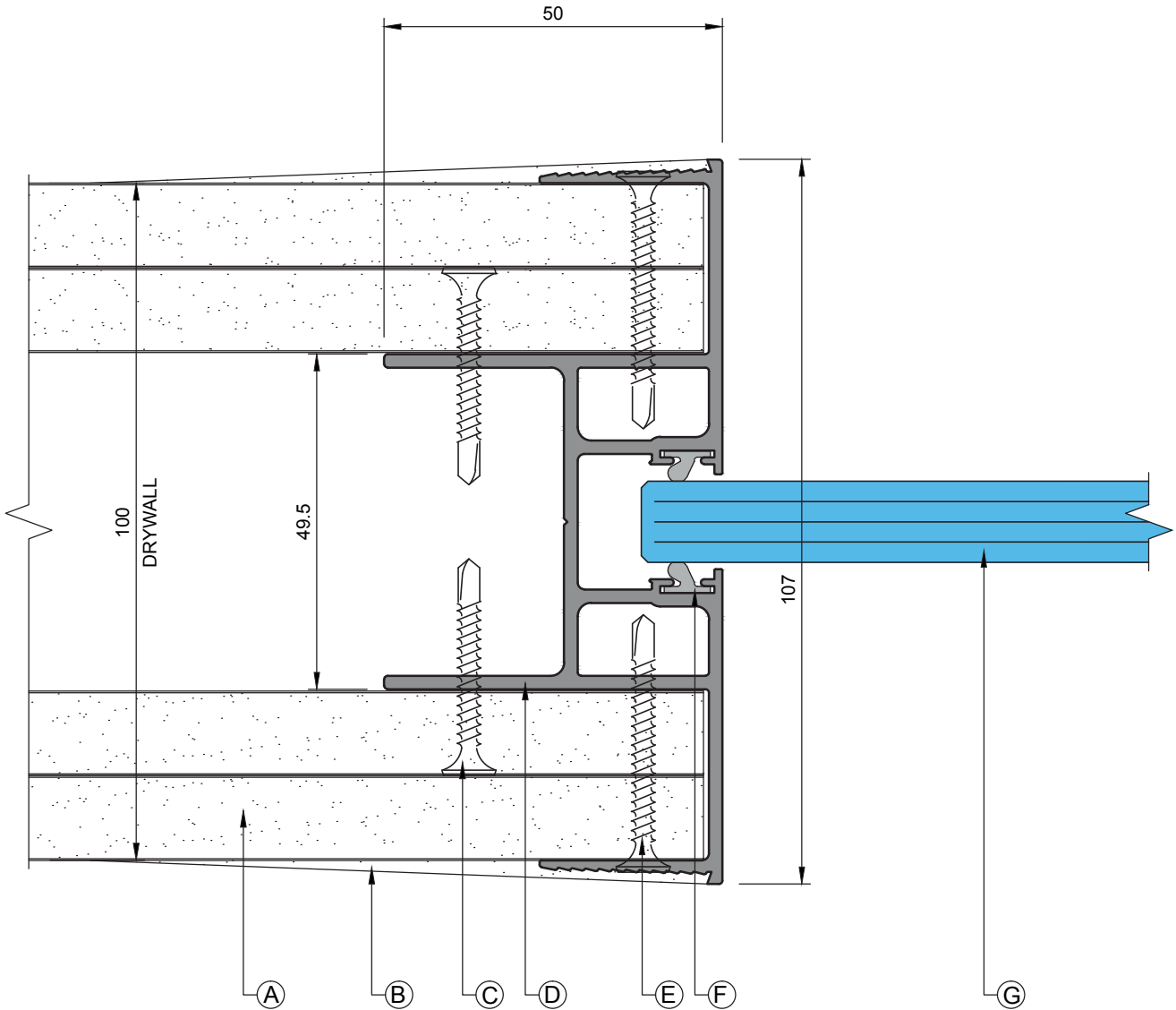
SYSTEM 8000

SINGLE GLAZED
 ADAPTOR FOR 75mm DRYWALL

SCALE @ A4
 1:1
 DRG NO
 PS/8100/7000
 ISSUED
 INFORMATION

DATE
 01/03/2012

DRAWN BY
 TC
 REV
 00
 CHECKED
 KYE



- A: 12.5mm PLASTERBOARD
- B: TAPED AND JOINTED
- C: 3.5 x 32mm JACK POINT DRYWALL SCREW @ 300mm CTRS
- D: FG8121 SINGLE GLAZED ADAPTOR FOR 100mm DRYWALL
- E: 3.5 x 38mm JACK POINT DRYWALL SCREW @ 300mm CTRS
- F: 112217 Q-LON SEAL
- G: 10/12mm GLASS (NOMINAL GLASS THICKNESS NOTED)

NON FIRE RATED
SEE FIRE RATED SERIES
OF DRAWINGS



SAS International
31 Suttons Business Park,
London Road, Reading,
Berkshire, RG6 1AZ
Tel: 0118 929 0900
Fax: 0118 929 0908
Technical Helpline:
0118 929 0998
www.sasint.co.uk

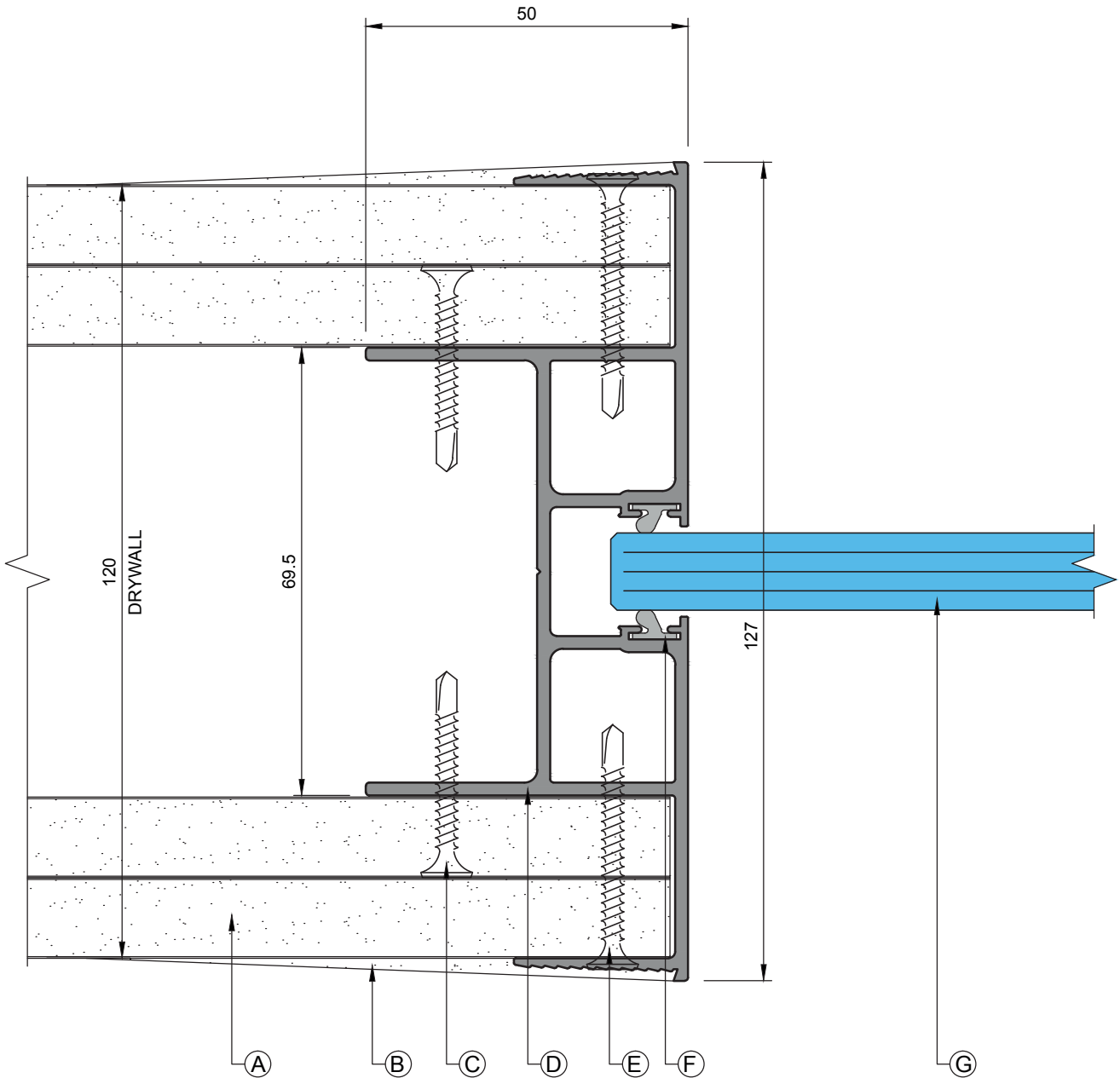
SYSTEM 8000

SINGLE GLAZED
ADAPTOR FOR 100mm DRYWALL

SCALE @ A4
1:1
DRG NO
PS/8100/7001
ISSUED
INFORMATION

DATE
01/03/2012

DRAWN BY
TC
REV
00
CHECKED
KYE



- A: 12.5mm PLASTERBOARD
- B: TAPED AND JOINTED
- C: 3.5 x 32mm JACK POINT DRYWALL SCREW @ 300mm CTRS
- D: FG8122 SINGLE GLAZED ADAPTOR FOR 120mm DRYWALL
- E: 3.5 x 38mm JACK POINT DRYWALL SCREW @ 300mm CTRS
- F: 112217 Q-LON SEAL
- G: 10/12mm GLASS (NOMINAL GLASS THICKNESS NOTED)

NON FIRE RATED
SEE FIRE RATED SERIES
OF DRAWINGS



SAS International
31 Suttons Business Park,
London Road, Reading,
Berkshire, RG6 1AZ
Tel: 0118 929 0900
Fax: 0118 929 0908
Technical Helpline:
0118 929 0998
www.sasint.co.uk

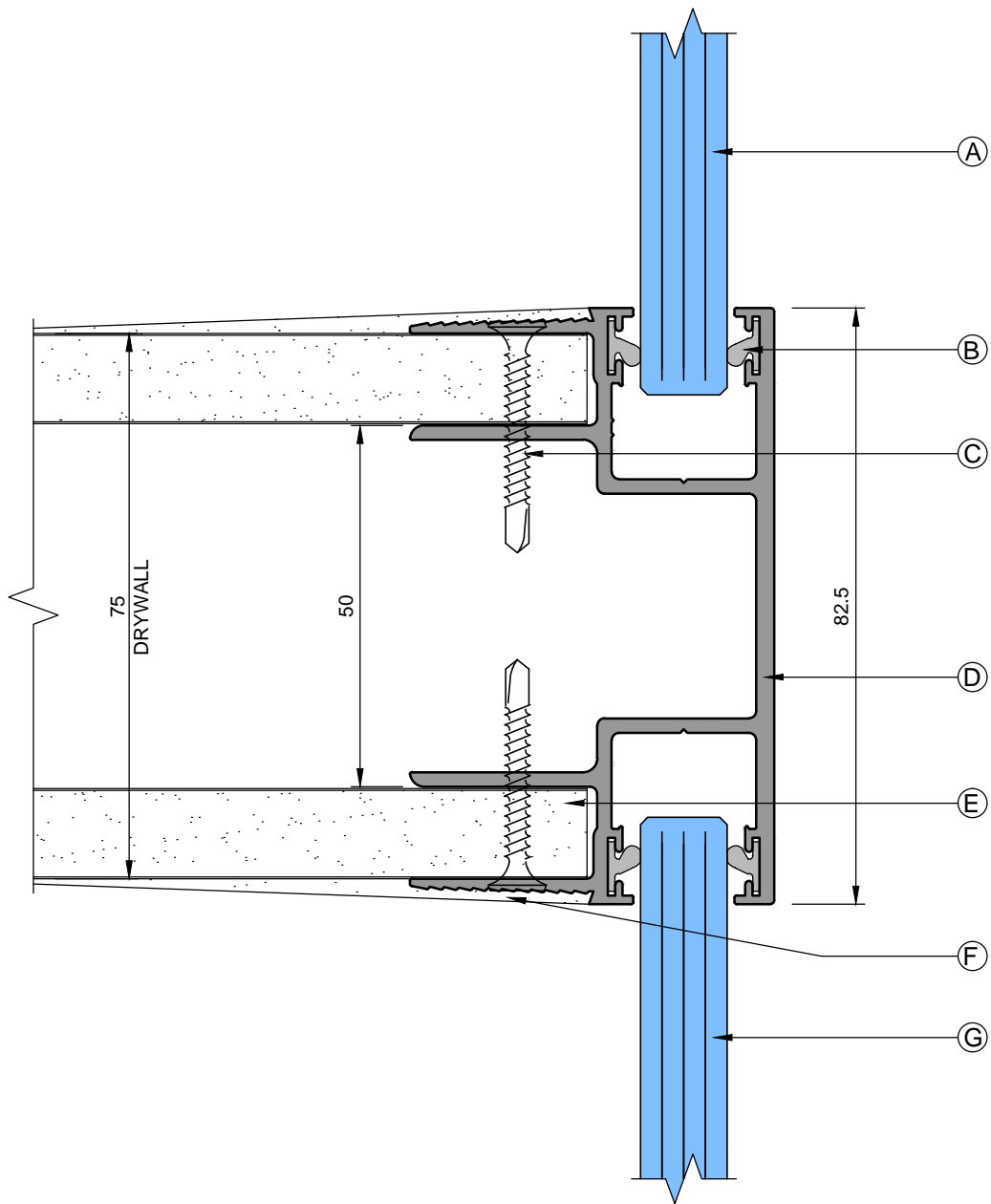
SYSTEM 8000

SINGLE GLAZED
ADAPTOR FOR 120mm DRYWALL

SCALE @ A4
1:1
DRG NO
PS/8100/7002
ISSUED
INFORMATION

DATE
01/03/2012

DRAWN BY
TC
REV
00
CHECKED
KYE



- A: 10/12mm GLASS (NOMINAL GLASS THICKNESS NOTED)
- B: 112217 Q-LON SEAL
- C: 3.5 x 32mm JACK POINT DRYWALL SCREW @ 300mm CTRS
- D: FG8123 SINGLE GLAZED TWO WAY ADAPTOR FOR 75mm DRYWALL
- E: 12.5mm PLASTERBOARD
- F: TAPED AND JOINTED
- G: 10/12mm GLASS (NOMINAL GLASS THICKNESS NOTED)

NON FIRE RATED
SEE FIRE RATED SERIES
OF DRAWINGS



SAS International
31 Suttons Business Park,
London Road, Reading,
Berkshire, RG6 1AZ
Tel: 0118 929 0900
Fax: 0118 929 0908
Technical Helpline:
0118 929 0998
www.sasint.co.uk

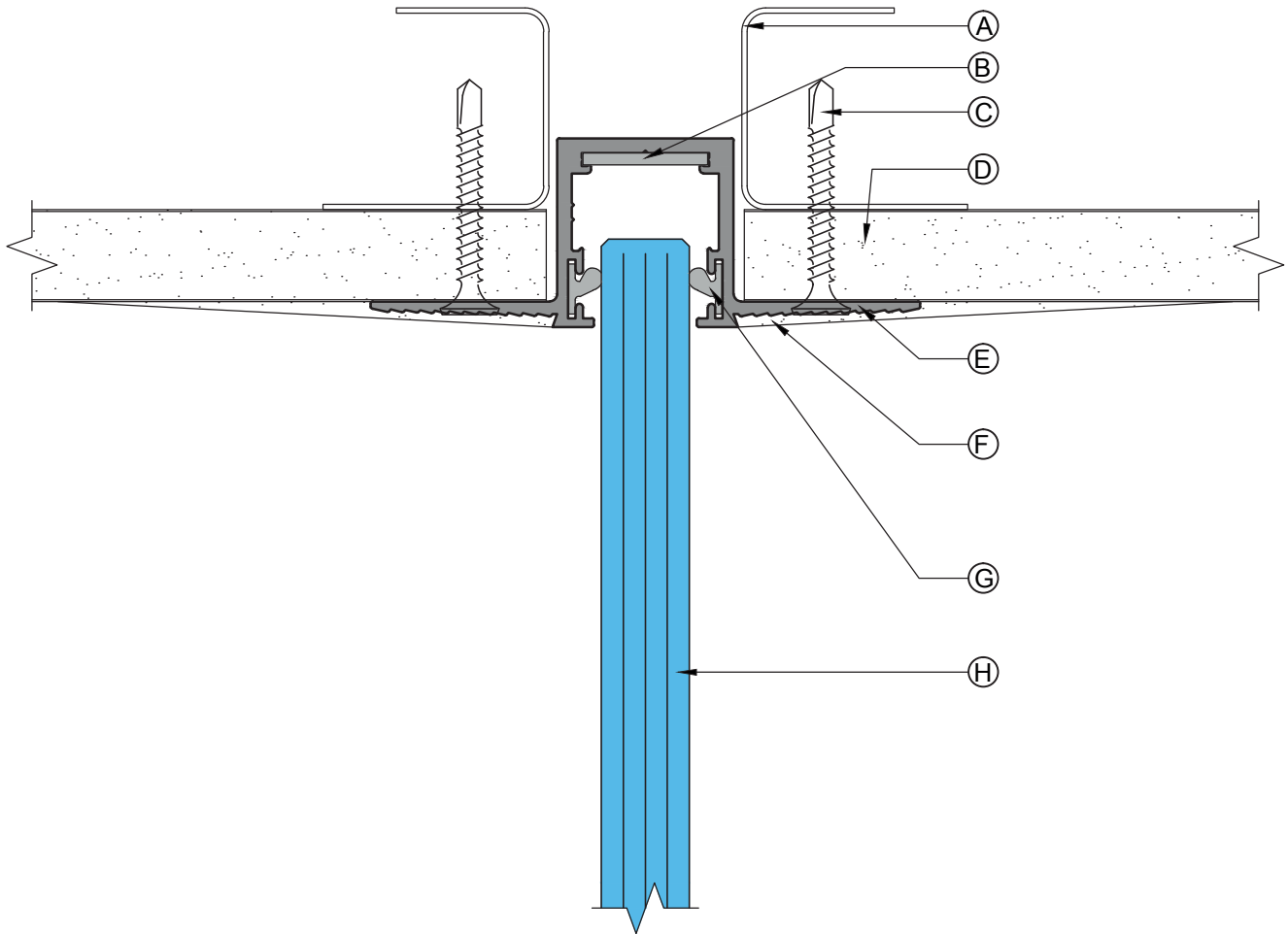
SYSTEM 8000

SINGLE GLAZED
TWO WAY ADAPTOR FOR 75mm DRYWALL

SCALE @ A4
1:1
DRG NO
PS/8100/7003
ISSUED
INFORMATION

DATE
01/03/2012

DRAWN BY
TC
REV
01
CHECKED
KYE



- A: EMAC6A PERIMETER
- B: 110667 50 x 17mm FLAT SPLICE PLATE
- C: DRYWALL SCREW @ 300mm CTRS
- D: 12.5mm PLASTERBOARD
- E: FG8119 SINGLE GLAZED REVEAL CHANNEL
- F: TAPED AND JOINTED
- G: 112217 Q-LON SEAL
- H: 10/12mm GLASS (NOMINAL GLASS THICKNESS NOTED)

NON FIRE RATED
SEE FIRE RATED SERIES
OF DRAWINGS



SAS International
31 Suttons Business Park,
London Road, Reading,
Berkshire, RG6 1AZ
Tel: 0118 929 0900
Fax: 0118 929 0908
Technical Helpline:
0118 929 0998
www.sasint.co.uk

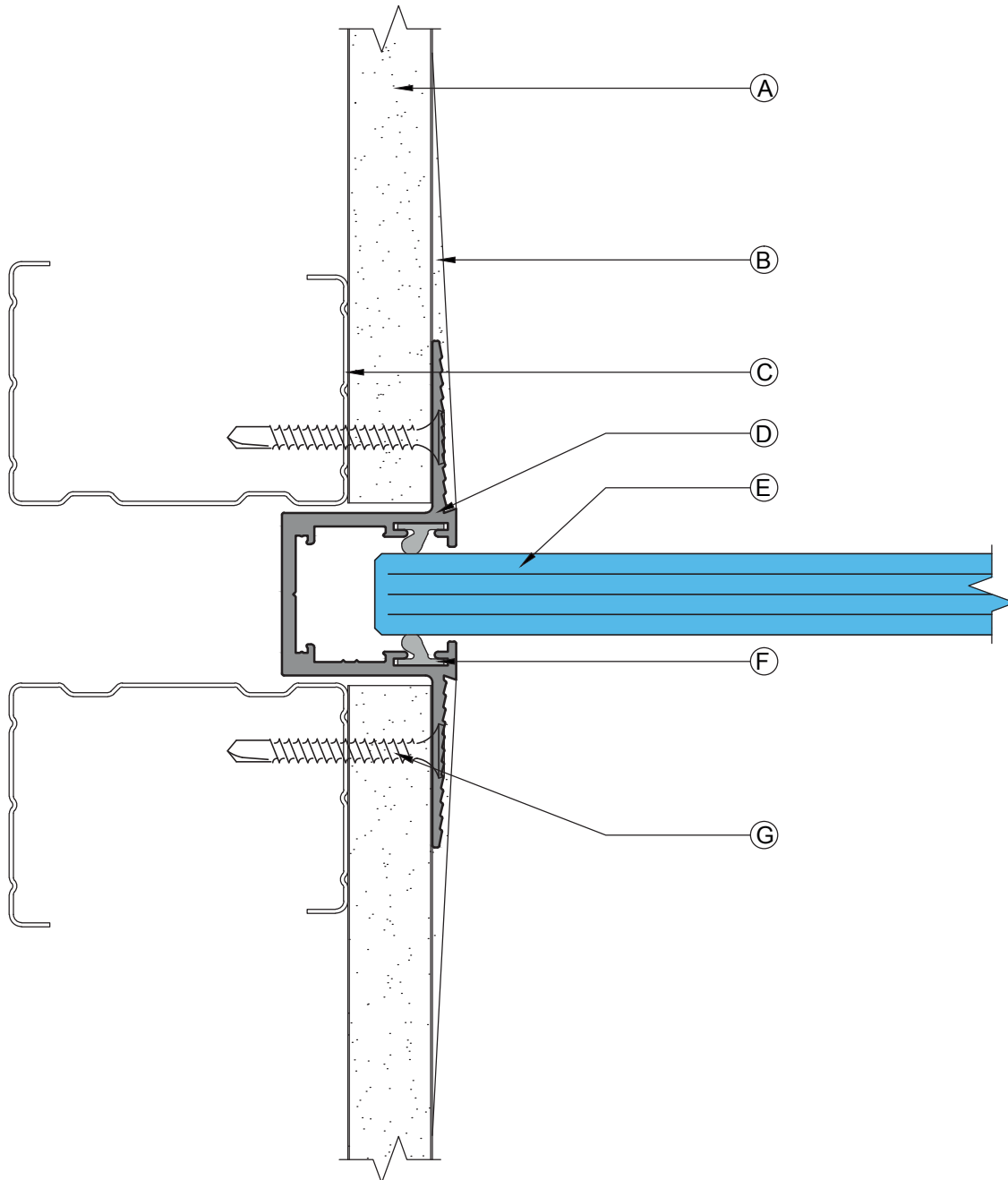
SYSTEM 8000

SINGLE GLAZED
REVEAL CHANNEL HEAD DETAIL

SCALE @ A4
1:1
DRG NO
PS/8100/7006
ISSUED
INFORMATION

DATE
01/03/2012

DRAWN BY
TC
REV
00
CHECKED
KYE



- A: 12.5mm PLASTERBOARD
- B: TAPED AND JOINTED
- C: 50mm STUD
- D: FG8119 SINGLE GLAZED REVEAL CHANNEL
- E: 10/12mm GLASS (NOMINAL GLASS THICKNESS NOTED)
- F: 112217 Q-LON SEAL
- G: 3.5 x 38mm JACK POINT DRYWALL SCREW @ 300mm CTRS

NON FIRE RATED
SEE FIRE RATED SERIES
OF DRAWINGS



SAS International
31 Suttons Business Park,
London Road, Reading,
Berkshire, RG6 1AZ
Tel: 0118 929 0900
Fax: 0118 929 0908
Technical Helpline:
0118 929 0998
www.sasint.co.uk

SYSTEM 8000

SINGLE GLAZED
REVEAL CHANNEL WALL ABUTMENT

SCALE @ A4
1:1
DRG NO
PS/8100/7007
ISSUED
INFORMATION

DATE
01/03/2012

DRAWN BY
TC
REV
00
CHECKED
KYE

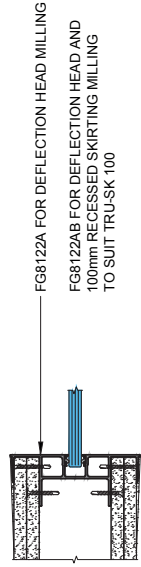
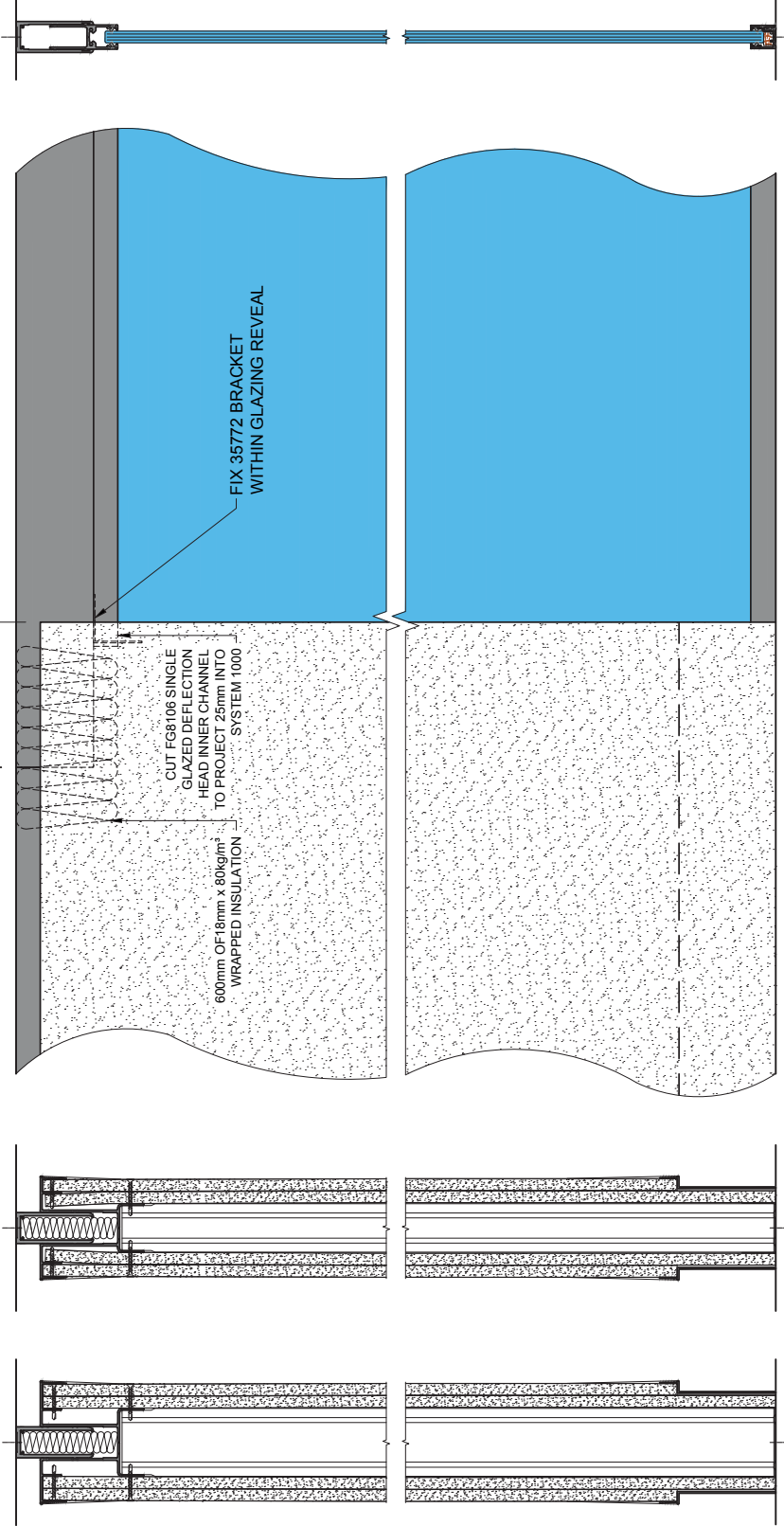
other system integration details

Drawing description	Drawing number
System 1000 / Single Glazed System 8000 (10/12mm Glass)	PS/8100/8000
System 1000 / Single Glazed System 8000 (10/12mm Glass)	PS/8100/8001
System 3000 Door Frame / Single Glazed System 8000 (10/12mm Glass)	PS/8100/8002
System 3000 Solid / Single Glazed System 8000 (10/12mm Glass)	PS/8100/8003
System 4000 Door Frame / Single Glazed System 8000 (10/12mm Glass)	PS/8100/8004
System 4000 Solid / Single Glazed System 8000 (10/12mm Glass)	PS/8100/8005
System 7000 Solid / Single Glazed System 8000 (10/12mm Glass)	PS/8100/8006

SYSTEM 1000 - DW1001

SYSTEM 8000 - FG8105 RUNS 150mm INTO DRYWALL

150



NOTE:

- ALL FEATHER EDGE DRYWALL SECTIONS REQUIRE FACTORY MILLING TO ACHIEVE THIS DETAIL
- MILLING IS OPTIONAL FOR RECESSED SKIRTING
- DRAWING SHOWS APPLICATION WHERE SYSTEM 8000 FG8105 AND SYSTEM 1000 DW1001 ARE THE SAME COLOUR

SAS International
 London Road, Hemel Hempstead,
 Herts, SG9 6ND, UK
 Tel: 01462 820000
 Fax: 01462 820001
 Email: sales@sas-international.com
 www.sas-international.com



SAS International claims proprietary rights in the information disclosed herein. This drawing is furnished in confidence and is not to be used for any other purpose without the express consent in writing of SAS International. It should be understood that any article or part either made in accordance with the attached drawing or copied therefrom without the express written consent of SAS International, will be an infringement of the Copyright which subsists in said drawing and remains actionable by law.
 © 2010 SAS International

SYSTEM 8000

SINGLE GLAZED +/- 25mm DEFLECTION HEAD
 TO SYSTEM 1000 INTEGRATION

SCALE @ A3
 5:1

DRG NO
 PS/8100/8000
 ISSUED
 INFORMATION

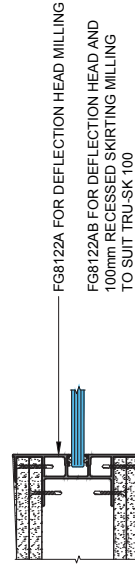
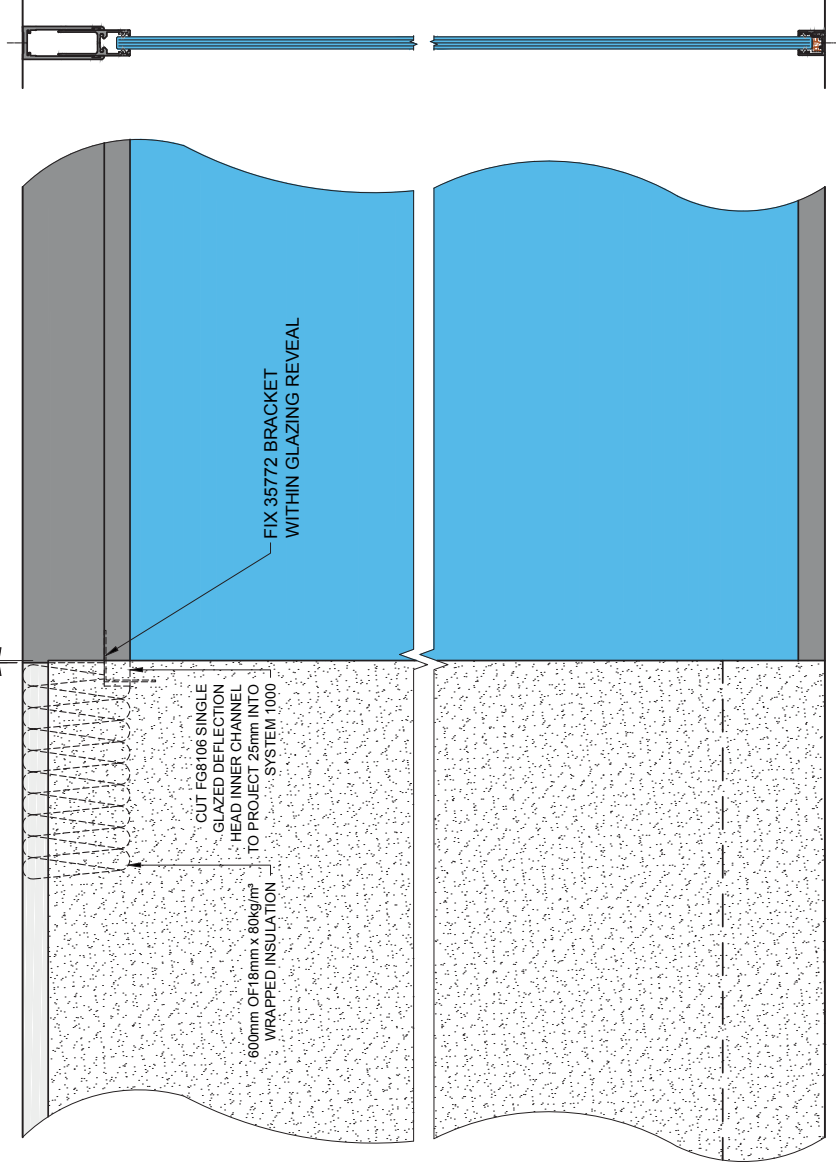
DATE
 01/03/2012

DRAWN BY
 TC
 REV
 00
 CHECKED
 KYE

SYSTEM 1000 - DW1001

SYSTEM 8000 - FG8105 RUNS 2mm INTO DRYWALL

2



NOTE:

- ALL FEATHER EDGE DRYWALL SECTIONS REQUIRE FACTORY MILLING TO ACHIEVE THIS DETAIL
- MILLING IS OPTIONAL FOR RECESSED SKIRTING
- DRAWING SHOWS APPLICATION WHERE SYSTEM 8000 FG8202 AND SYSTEM 1000 DW1004 ARE DIFFERENT COLOURS

SAS International
 London Road, Reading,
 RG2 0AA
 Tel: 0118 820000
 Fax: 0118 820009
 Email: sales@sas-international.com
 www.sas-int.com



SAS International claims proprietary rights in the information disclosed herein. This drawing is furnished in confidence and is not to be used for any other purpose without the express consent in writing of SAS International. It should be understood that any article or part either made in accordance with the attached drawing or copied therefrom without the express written consent of SAS International, will be an infringement of the Copyright which subsists in said drawing and remains actionable by law.
 © 2010 SAS International

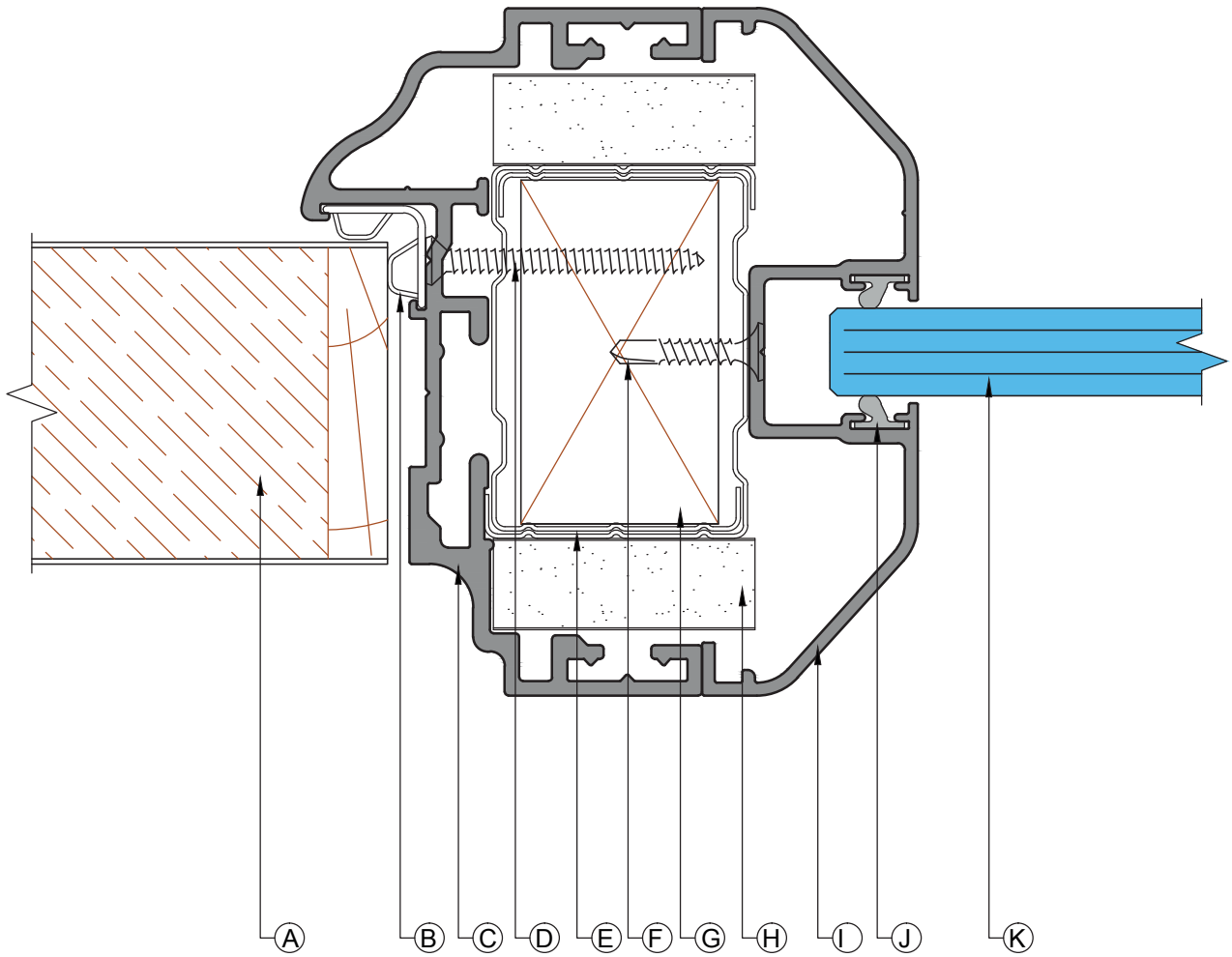
SYSTEM 8000

SINGLE GLAZED +/- 25mm DEFLECTION HEAD
 TO SYSTEM 1000 INTEGRATION

SCALE @ A3
 5:1
 DRG NO
 PS/8100/8001
 ISSUED INFORMATION

DATE
 01/03/2012

DRAWN BY
 TC
 REV
 00
 CHECKED
 KYE



- A: 44mm SOLID DOOR LEAF
- B: PTDS BUBBLE SEAL
- C: PT2003 75mm RADIUSED DOOR FRAME
- D: 3.5 x 38mm C'SUNK SELF TAPPING SCREW
- E: BOX STUD
- F: 3.5 x 25mm JACK POINT DRY WALL SCREW
- G: TIMBER STUD INFILL
- H: 12.5mm PLASTERBOARD
- I: PT2014 SINGLE GLAZED ADAPTOR POST FOR SYSTEM 3000
- J: 112217 Q-LON SEAL
- K: 10/12mm GLASS (NOMINAL GLASS THICKNESS NOTED)

NON FIRE RATED
SEE FIRE RATED SERIES
OF DRAWINGS



SAS International
31 Suttons Business Park,
London Road, Reading,
Berkshire, RG6 1AZ
Tel: 0118 929 0900
Fax: 0118 929 0906
Technical Helpline:
0118 929 0998
www.sasint.co.uk

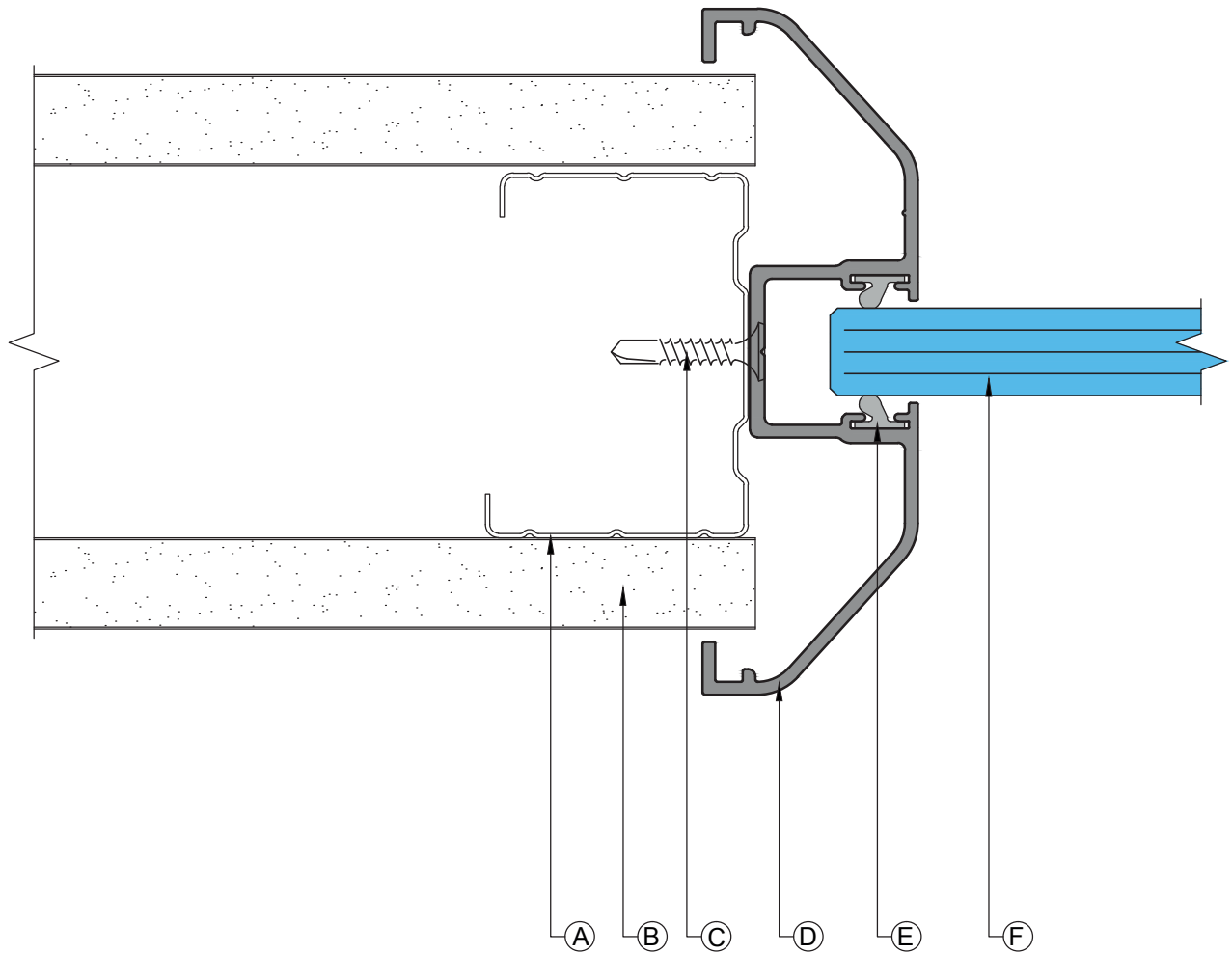
SYSTEM 8000

SINGLE GLAZED
ADAPTOR POST FOR SYSTEM 3000

SCALE @ A4
1:1
DRG NO
PS/8100/8002
ISSUED
INFORMATION

DATE
01/03/2012

DRAWN BY
TC
REV
00
CHECKED
KYE



- A: 50mm STUD
- B: 12.5mm PLASTERBOARD
- C: 3.5 x 25mm JACK POINT DRY WALL SCREW
- D: PT2014 SINGLE GLAZED ADAPTOR POST FOR SYSTEM 3000
- E: 112217 Q-LON SEAL
- F: 10/12mm GLASS (NOMINAL GLASS THICKNESS NOTED)

NON FIRE RATED
SEE FIRE RATED SERIES
OF DRAWINGS



SAS International
31 Suttons Business Park,
London Road, Reading,
Berkshire, RG6 1AZ
Tel: 0118 929 0900
Fax: 0118 929 0908
Technical Helpline:
0118 929 0998
www.sasint.co.uk

SYSTEM 8000

SINGLE GLAZED
ADAPTOR POST FOR SYSTEM 3000

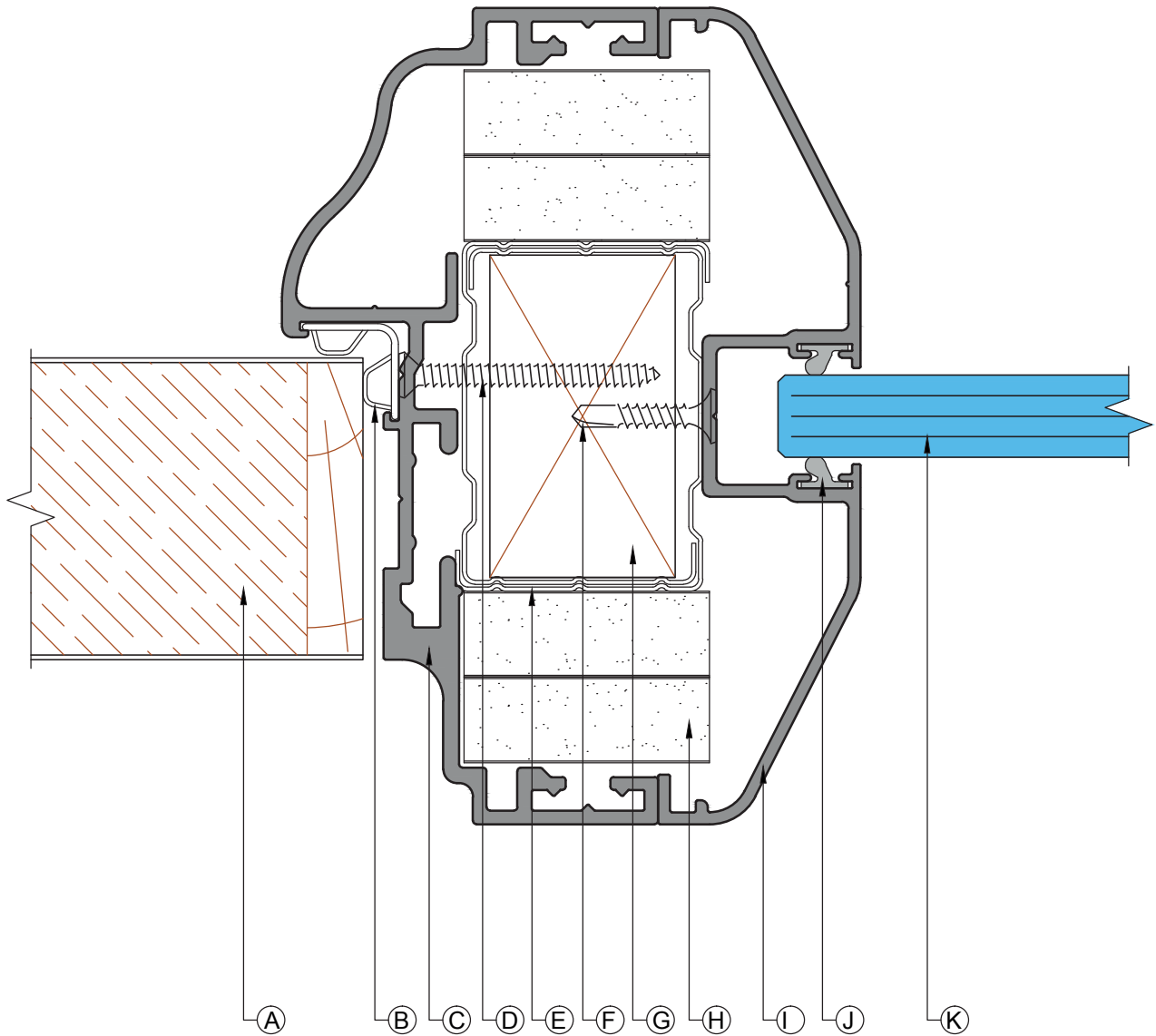
SCALE @ A4
1:1

DRG NO
PS/8100/8003

ISSUED
INFORMATION

DATE
01/03/2012

DRAWN BY
TC
REV
00
CHECKED
KYE



- A: 44mm SOLID DOOR LEAF
- B: PTDS BUBBLE SEAL
- C: PT2004 100mm RADIUS DOOR FRAME
- D: 3.5 x 38mm C'SUNK SELF TAPPING SCREW
- E: BOX STUD
- F: 3.5 x 25mm JACK POINT DRY WALL SCREW
- G: TIMBER STUD INFILL
- H: 12.5mm PLASTERBOARD
- I: PT2020 SINGLE GLAZED ADAPTOR POST FOR SYSTEM 4000
- J: 112217 Q-LON SEAL
- K: 10/12mm GLASS (NOMINAL GLASS THICKNESS NOTED)

NON FIRE RATED
SEE FIRE RATED SERIES
OF DRAWINGS



SAS International
31 Suttons Business Park,
London Road, Reading,
Berkshire, RG6 1AZ
Tel: 0118 929 0900
Fax: 0118 929 0908
Technical Helpline:
0118 929 0998
www.sasint.co.uk

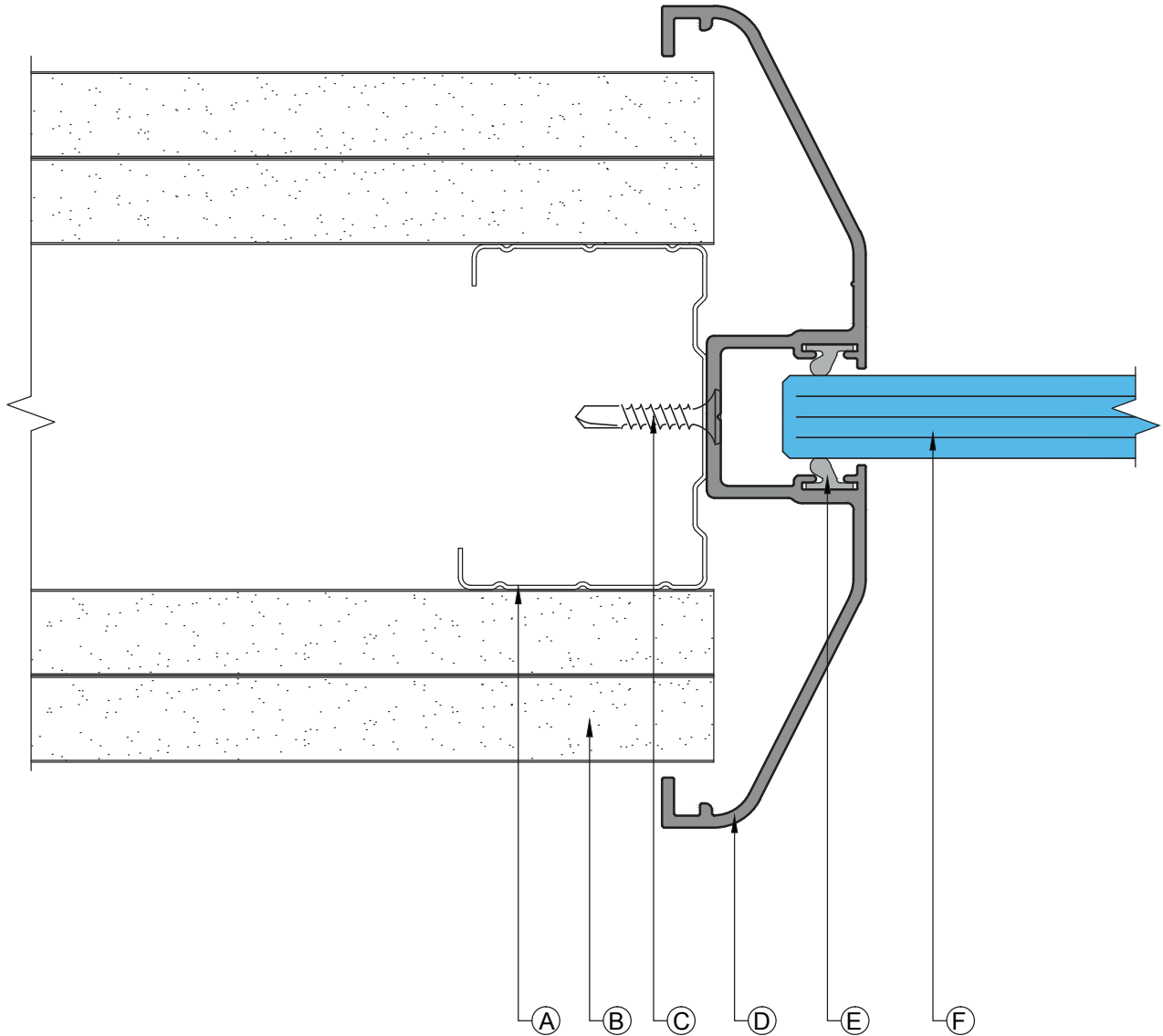
SYSTEM 8000

SINGLE GLAZED
ADAPTOR POST FOR SYSTEM 4000

SCALE @ A4
1:1
DRG NO
PS/8100/8004
ISSUED
INFORMATION

DATE
01/03/2012

DRAWN BY
TC
REV
00
CHECKED
KYE



- A: 50mm STUD
- B: 12.5mm PLASTERBOARD
- C: 3.5 x 25mm JACK POINT DRY WALL SCREW
- D: PT2020 SINGLE GLAZED ADAPTOR POST FOR SYSTEM 4000
- E: 112217 Q-LON SEAL
- F: 10/12mm GLASS (NOMINAL GLASS THICKNESS NOTED)

NON FIRE RATED
SEE FIRE RATED SERIES
OF DRAWINGS



SAS International
31 Suttons Business Park,
London Road, Reading,
Berkshire, RG6 1AZ
Tel: 0118 929 0900
Fax: 0118 929 0908
Technical Helpline:
0118 929 0998
www.sasint.co.uk

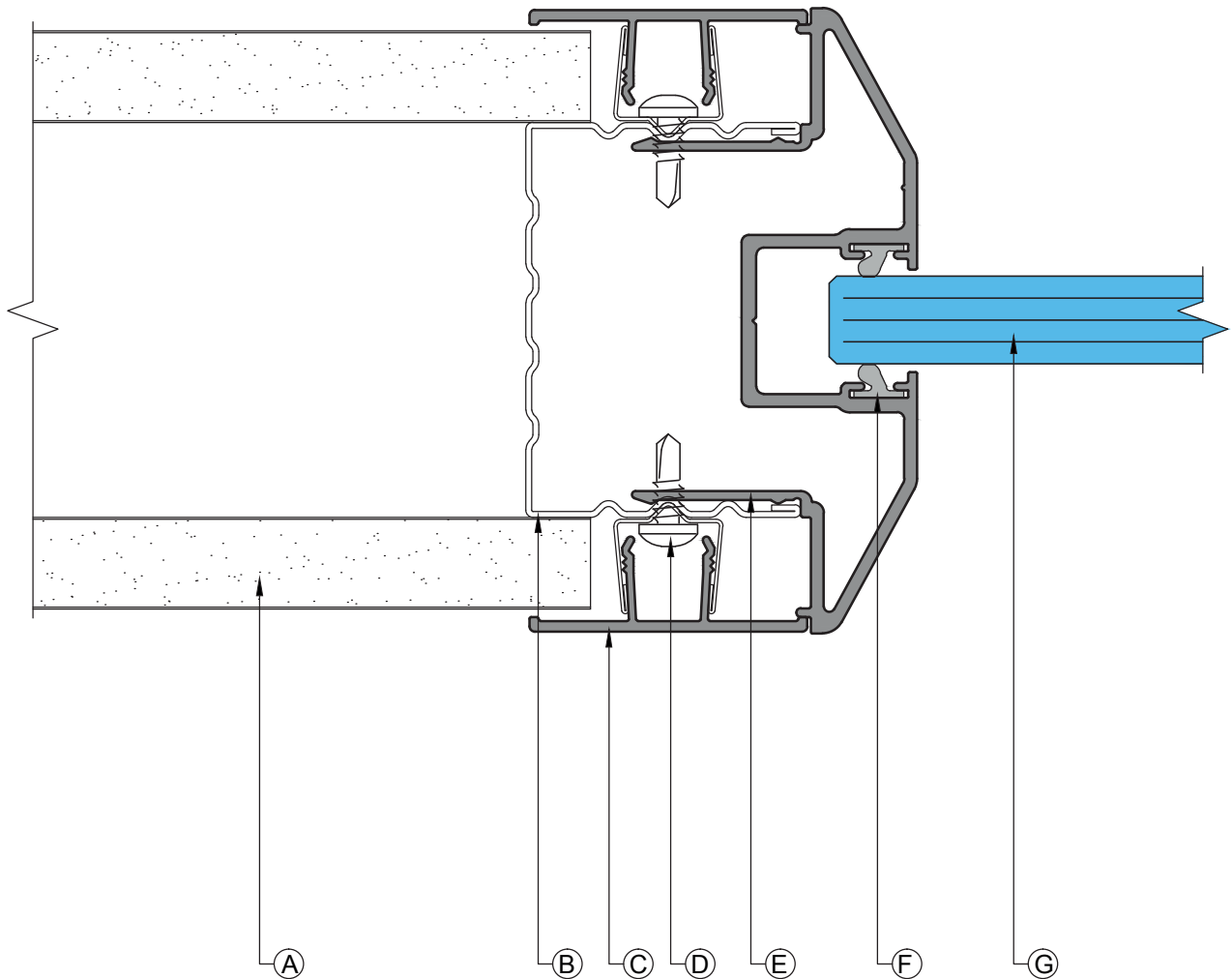
SYSTEM 8000

SINGLE GLAZED
ADAPTOR POST FOR SYSTEM 4000

SCALE @ A4
1:1
DRG NO
PS/8100/8005
ISSUED
INFORMATION

DATE
01/03/2012

DRAWN BY
TC
REV
00
CHECKED
KYE



- A: 12.5mm PLASTERBOARD
- B: STUD AND CHANNEL
- C: SYA138 FLUSH PLAIN ALUMINIUM TRIM
- D: 4.2 x 13mm PAN HEAD SELF DRILLING SCREW
- E: SYA24 SINGLE GLAZED ADAPTOR FOR SYSTEM 7000
- F: 112217 Q-LON SEAL
- G: 10/12mm GLASS (NOMINAL GLASS THICKNESS NOTED)

NON FIRE RATED
SEE FIRE RATED SERIES
OF DRAWINGS



SAS International
31 Suttons Business Park,
London Road, Reading,
Berkshire, RG6 1AZ
Tel: 0118 929 0900
Fax: 0118 929 0908
Technical Helpline:
0118 929 0998
www.sasint.co.uk

SYSTEM 8000

SINGLE GLAZED
ADAPTOR POST FOR SYSTEM 7000

SCALE @ A4
1:1
DRG NO
PS/8100/8006
ISSUED
INFORMATION

DATE
01/03/2012

DRAWN BY
TC
REV
00
CHECKED
KYE

